

AV RECEIVER

RX-V393/R-V503 RX-V493/R-V703

SERVICE MANUAL

IMPORTANT NOTICE

This manual has been provided for the use of authorized YAMAHA Retailers and their service personnel. It has been assumed that basic service procedures inherent to the industry, and more specifically YAMAHA Products, are already known and understood by the users, and have therefore not been restated.

WARNING: Failure to follow appropriate service and safety procedures when servicing this product may result in personal injury, destruction of expensive components, and failure of the product to perform as specified. For these reasons, we advise all YAMAHA product owners that any service required should be performed by an authorized YAMAHA Retailer or the appointed service representative.

IMPORTANT: The presentation or sale of this manual to any individual or firm does not constitute authorization, certification or recognition of any applicable technical capabilities, or establish a principle-agent relationship of any form.

The data provided is believed to be accurate and applicable to the unit(s) indicated on the cover. The research, engineering, and service departments of YAMAHA are continually striving to improve YAMAHA products. Modifications are, therefore, inevitable and specifications are subject to change without notice or obligation to retrofit. Should any discrepancy appear to exist, please contact the distributor's Service Division.

WARNING: Static discharges can destroy expensive components. Discharge any static electricity your body may have accumulated by grounding yourself to the ground buss in the unit (heavy gauge black wires connect to this buss).

IMPORTANT: Turn the unit OFF during disassembly and part replacement. Recheck all work before you apply power to the unit.

■ CONTENTS

<p>TO SERVICE PERSONNEL 1</p> <p>FRONT PANELS 2</p> <p>REAR PANELS 3~4</p> <p>SPECIFICATIONS 5~6</p> <p>INTERNAL VIEW 7</p> <p>DISASSEMBLY PROCEDURES 7~8</p> <p>SELF CHECK MODE 9~11</p> <p>PROTECTION OPERATION CHECK FUNCTION .. 12</p> <p>AMP ADJUSTMENTS 13</p> <p>TUNER ADJUSTMENTS 14~17</p>	<p>DISPLAY DATA 18</p> <p>IC DATA 19~22</p> <p>RX-V393/R-V503 PRINTED CIRCUIT BOARD .. 24~35</p> <p>RX-V493/R-V703 PRINTED CIRCUIT BOARD .. 36~47</p> <p>BLOCK DIAGRAM 48~50</p> <p>PIN CONNECTION DIAGRAM 51</p> <p>RX-V393/R-V503 SCHEMATIC DIAGRAM 52~55</p> <p>RX-V493/R-V703 SCHEMATIC DIAGRAM 56~59</p> <p>PARTS LIST 60~82</p> <p>REMOTE CONTROL TRANSMITTER 83~84</p>
-----------------------------------------------------------------------------------------------------------------------------------------------------------------------------------------------------------------------------------------------------------------------------------------------------------------------------------------------------------	-------------------------------------------------------------------------------------------------------------------------------------------------------------------------------------------------------------------------------------------------------------------------------------------------------------------------------------------------------------------------------------------------------------------------------

100610

Copyright 2003 YAMAHA CORPORATION □
This manual is copyrighted by YAMAHA and may not be copied or □
redistributed either in print or electronically without permission.

YAMAHA
YAMAHA CORPORATION
P.O.Box1, Hamamatsu, Japan

2.05K-239 □ ⊗ Printed in Japan '98.1

RX-V393/R-V503
RX-V493/R-V703

■ TO SERVICE PERSONNEL

1. Critical Components Information.
Components having special characteristics are marked Δ and must be replaced with parts having specifications equal to those originally installed.
2. Leakage Current Measurement (For 120V Models Only).
When service has been completed, it is imperative to verify that all exposed conductive surfaces are properly insulated from supply circuits.
 - Meter impedance should be equivalent to 1500 ohm shunted by 0.15 μ F.
 - Leakage current must not exceed 0.5mA.
 - Be sure to test for leakage with the AC plug in both polarities.



"CAUTION"

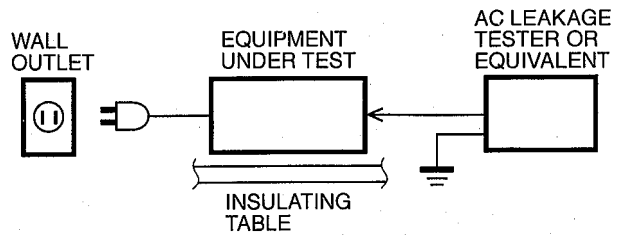
"F101 : FOR CONTINUED PROTECTION AGAINST RISK OF FIRE, REPLACE ONLY WITH SAME TYPE 5.0A, 125V FUSE."

CAUTION

F101 : REPLACE WITH SAME TYPE 5.0A, 125V FUSE.

ATTENTION

F101 : UTILISER UN FUSIBLE DE RECHANGE DE MEME TYPE DE 5.0A, 125V.



WARNING: CHEMICAL CONTENT NOTICE!

The solder used in the production of this product contains LEAD. In addition, other electrical/electronic and/or plastic (where applicable) components may also contain traces of chemicals found by the California Health and Welfare Agency (and possibly other entities) to cause cancer and/or birth defects or other reproductive harm.

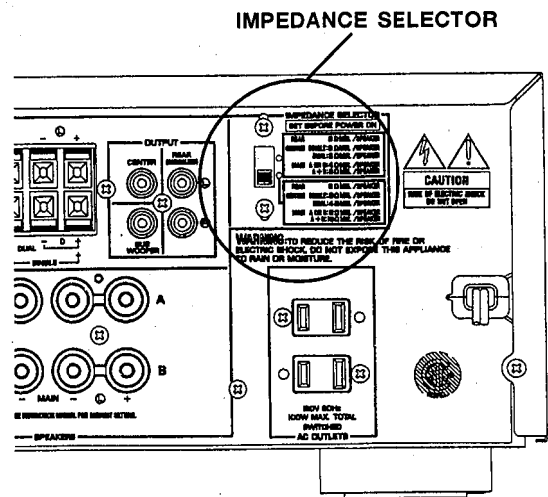
DO NOT PLACE SOLDER, ELECTRICAL/ELECTRONIC OR PLASTIC COMPONENTS IN YOUR MOUTH FOR ANY REASON WHATSOEVER!

Avoid prolonged, unprotected contact between solder and your skin! When soldering, do not inhale solder fumes or expose eyes to solder/flux vapor!

If you come in contact with solder or components located inside the enclosure of this product, wash your hands before handling food.

WARNING

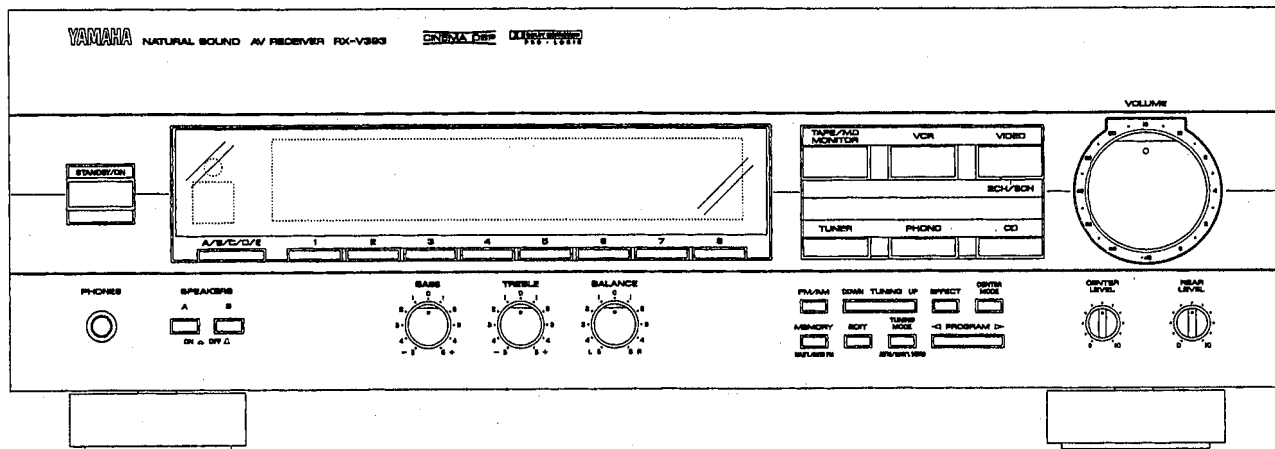
Do not change the IMPEDANCE SELECTOR switch setting while the power to this unit is on, otherwise this unit may be damaged.



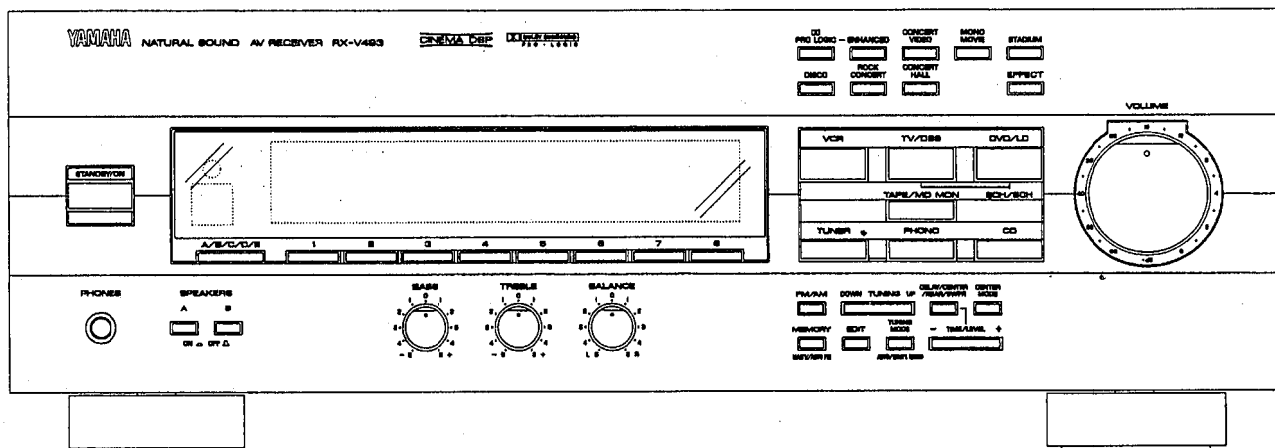
Manufactured under license from Dolby Laboratories Licensing Corporation. "Dolby", "Pro Logic", and the double-D symbol \square are trademarks of Dolby Laboratories Licensing Corporation.

FRONT PANELS

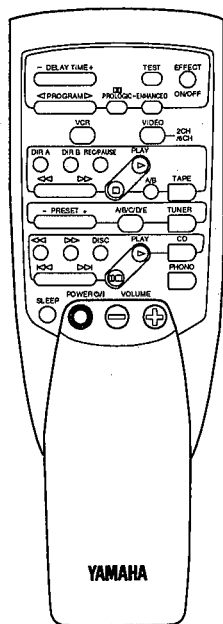
▼ RX-V393 (U, C, R, A, G, T models) / R-V503 (U, C, R, A, T models)



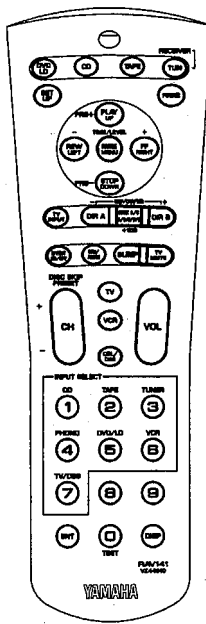
▼ RX-V493 (U, C, R, A, G, T models) / R-V703 (U, C, R, A, T models)



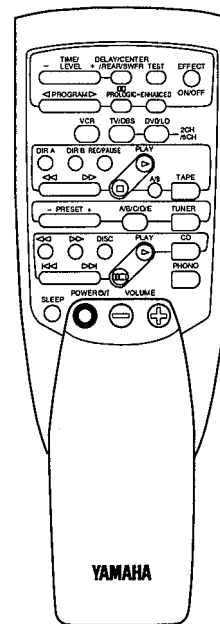
▼ RX-V393 / R-V503



▼ RX-V493 (U model) / R-V703 (U model)

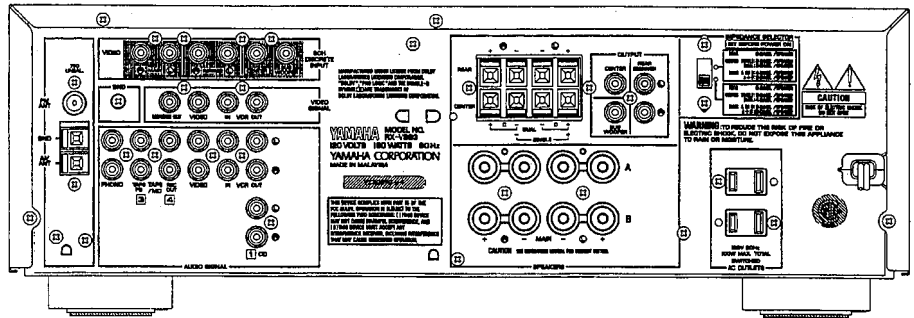


▼ RX-V493 (C, R, A, G, T models) / R-V703 (C, R, A, T models)

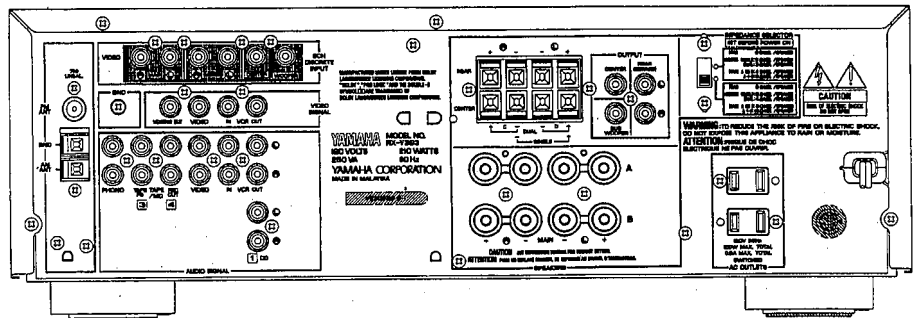


REAR PANELS

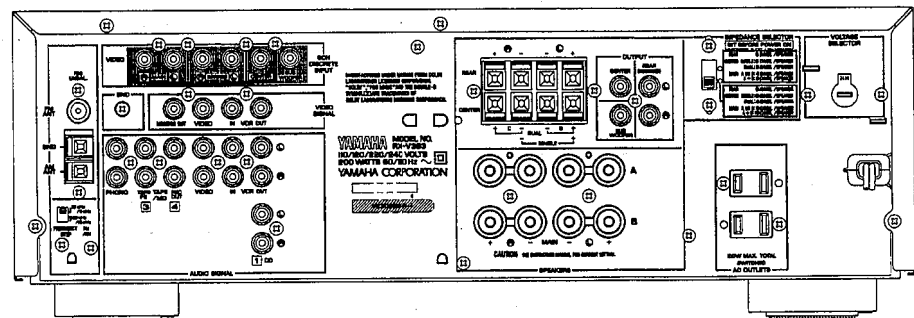
▼ RX-V393/R-V503 U model



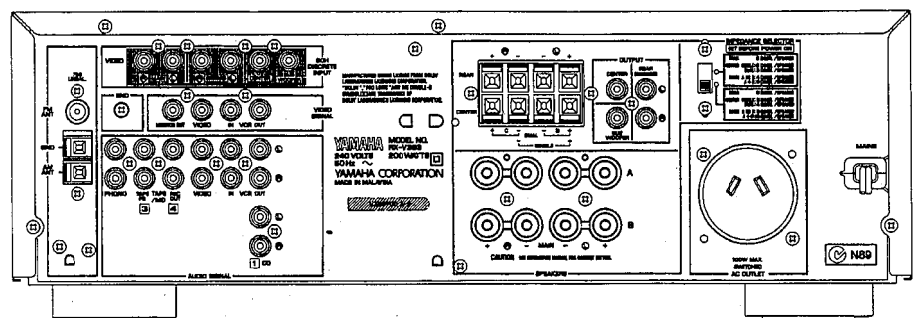
▼ RX-V393/R-V503 C model



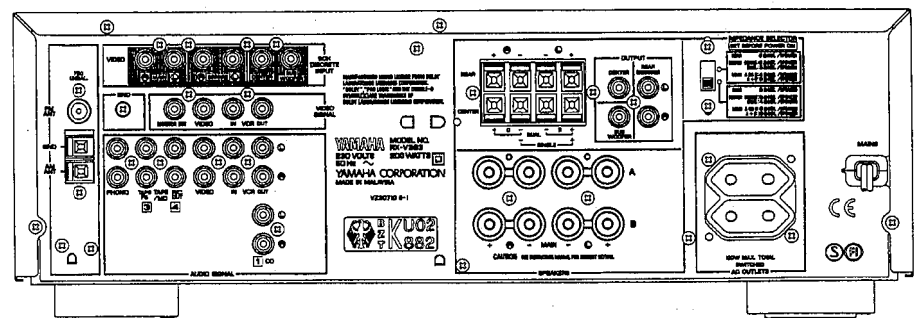
▼ RX-V393/R-V503 R, T models



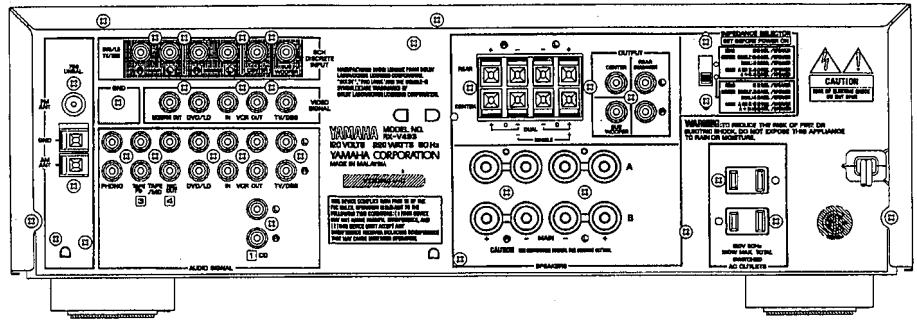
▼ RX-V393/R-V503 A model



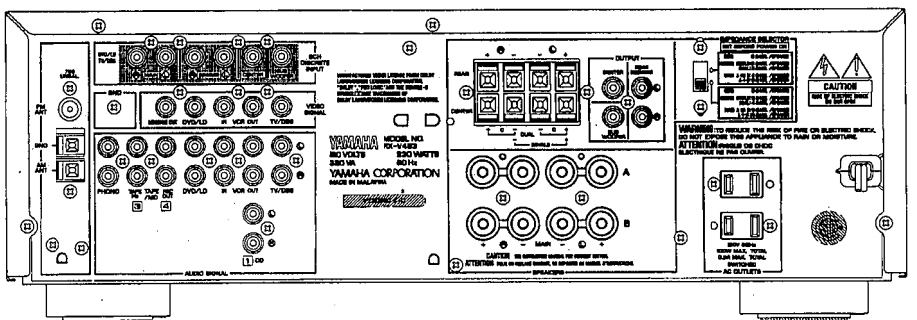
▼ RX-V393 G model



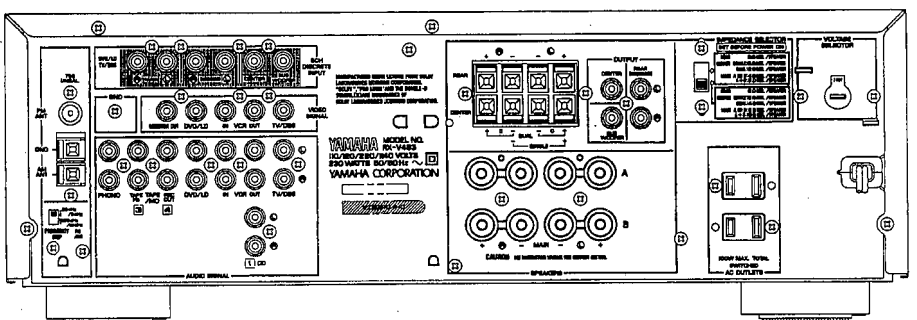
▼ RX-V493/R-V703 U model



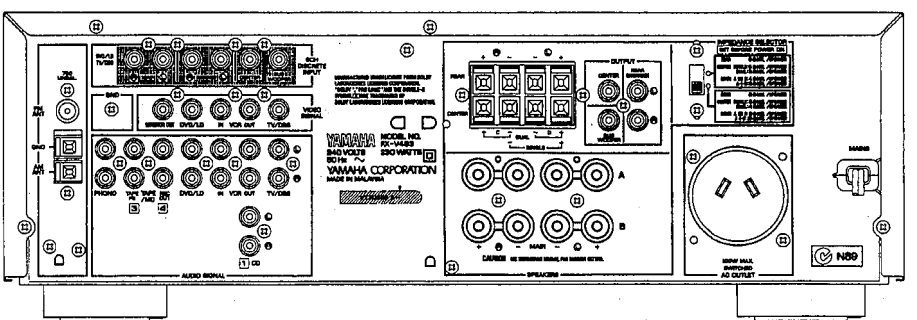
▼ RX-V493/R-V703 C model



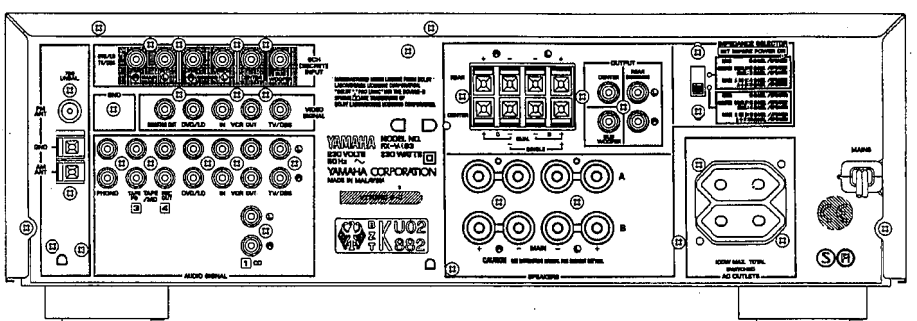
▼ RX-V493/R-V703 R, T models



▼ RX-V493/R-V703 A model



▼ RX-V493 G model



SPECIFICATIONS

AUDIO SECTION

Minimum RMS Output Power per Channel (Power Amp)

RX-V393

MAIN, 20Hz to 20kHz, 0.04% THD, 8Ω	50W
CENTER, 1kHz, 0.04% THD, 8Ω	50W
REAR, 1kHz, 0.04% THD, 8Ω	20W

R-V503

MAIN, 1kHz, 0.09% THD, 8Ω	
U model	70W
C, R, T, A models	60W

CENTER, 1kHz, 0.09% THD, 8Ω	
U model	70W
C, R, T, A models	60W
REAR, 1kHz, 0.09% THD, 8Ω	20W

RX-V493

MAIN, 20Hz to 20kHz, 0.04% THD, 8Ω	
U, C models	70W
R, T, A, G models	65W

CENTER, 1kHz, 0.04% THD, 8Ω	
U, C models	70W
R, T, A, G models	65W
REAR, 1kHz, 0.04% THD, 8Ω	20W

R-V703

MAIN, 1kHz, 0.09% THD, 8Ω	80W
CENTER, 1kHz, 0.09% THD, 8Ω	80W
REAR, 1kHz, 0.09% THD, 8Ω	20W

Maximum Power per Channel (EIAJ)

RX-V393/R-V503 (R, T models only)

MAIN, 1kHz, 10% THD, 8Ω	75W
CENTER, 1kHz, 10% THD, 8Ω	75W
REAR, 1kHz, 10% THD, 8Ω	30W

RX-V493/R-V703 (R, T models only)

MAIN, 1kHz, 10% THD, 8Ω	100W
CENTER, 1kHz, 10% THD, 8Ω	100W
REAR, 1kHz, 10% THD, 8Ω	30W

Dynamic Power per Channel (IHF)

8/6/4/2Ω

RX-V393

U, C, models	80/95/120/140W
R, T, A, G models	80/100/120/135W

R-V503

U model	90/110/140/170W
C, R, T, A models	80/100/120/135W

RX-V493/R-V703

U, C, models	100/120/150/175W
R, T, A, G models	95/115/145/165W

DIN Standard Output Power per Channel

RX-V393

1kHz, 0.7% THD, 4Ω (G model only)	75W
-----------------------------------	-----

RX-V493

1kHz, 0.7% THD, 4Ω (G model only)	95W
-----------------------------------	-----

Dynamic Headroom (8Ω)

RX-V393

U, C, models	2.04dB
--------------	--------

R-V503

U model	1.76dB
C model	2.04dB

RX-V493/R-V703

U, C, models	1.55dB
--------------	--------

IEC Power

RX-V393

1kHz, 0.1% THD, 8Ω (G model only)	60W
-----------------------------------	-----

RX-V493

1kHz, 0.1% THD, 8Ω (G model only)	80W
-----------------------------------	-----

Power Band Width

RX-V393/R-V503

0.1% THD, 25W, 8Ω	10Hz to 50kHz
-------------------	---------------

RX-V493/R-V703

0.1% THD, 30W, 8Ω	10Hz to 50kHz
-------------------	---------------

Damping Factor

20Hz to 20kHz, 8Ω	80 or more
-------------------	------------

Input Sensitivity/Impedance

RX-V393/R-V503

PHONO MM	2.5mV/47kΩ
6 CH DISCRETE L/R	150mV/56kΩ
6 CH DISCRETE C	150mV/11kΩ
6 CH DISCRETE SW	150mV/40kΩ
6 CH DISCRETE RL/RR	100mV/11kΩ
CD, etc	150mV/47kΩ

RX-V493/R-V703

PHONO MM	2.5mV/47kΩ
6 CH DISCRETE L/R	150mV/56kΩ
6 CH DISCRETE C/SW	150mV/40kΩ
6 CH DISCRETE RL/RR	100mV/40kΩ
CD, etc	150mV/47kΩ

Maximum Input Signal Level (1kHz, 0.5% THD)

PHONO MM	100mV
CD, etc (Effect off)	2.5V

Output Level/Impedance

REC OUT	150mV/2.5kΩ
CENTER	2V/1.2kΩ
REAR L/R	1.2V/1.2kΩ
SUB WOOFER (Effect off)	4V/1.2kΩ

Headphone Jack Rated Output/Impedance

0.04% THD, 8Ω	0.45V/330Ω
---------------	------------

Frequency Response (20Hz to 20kHz)

CD, etc	0±0.5dB
---------	---------

RIAA Equalization Deviation (20Hz to 20kHz)

PHONO MM	0±0.5dB
----------	---------

Total Harmonic Distortion (20Hz to 20kHz)

PHONO MM to REC OUT (1V)	0.02%
CD, etc to MAIN SP OUT (30W/8Ω)	0.03%

Signal-to-Noise Ratio (IHF-A-Network)

PHONO MM, Input Shorted (5mV)	80dB
CD, etc, Input Shorted	93dB

Residual Noise (IHF-A-Network)

MAIN, SP OUT	140μV
--------------	-------

Channel Separation (Vol. -30dB, Effect off)

PHONO MM, Input Shorted, 1kHz	60dB
CD, etc, Input 5.1kΩ Shorted, 1kHz	60dB

Tone Control Characteristics

BASS : Boost/cut	±10dB (50Hz)
Turnover Frequency	350Hz

TREBLE : Boost/cut	±10dB (20kHz)
Turnover Frequency	3.5kHz

Gain Tracking Error (0dB to -60dB)

	3dB
--	-----

FM SECTION

Tuning Range	
U, C models	87.5 to 107.9MHz
A, G models	87.50 to 108.00MHz
R, T models	87.5 to 107.9/87.50 to 108.00MHz
50dB Quieting Sensitivity (IHF, 75 Ω)	
Mono U, C, R, T, A models	1.55µV (15.1dBf)
Stereo U, C, R, T, A models	21µV (37.7dBf)
Usable Sensitivity (75 Ω)	
DIN, Mono (S/N 26dB) A, G models	0.9µV
DIN, Stereo (S/N 46dB) A, G models	24µV
Image Response Ratio	
U, C, R, T models	45dB
A, G models	80dB
IF Response Ratio	
U, C, R, T models	70dB
A, G models	80dB
Spurious Response Ratio	
	70dB
AM Suppression Ratio	
	55dB
Capture Ratio	
	1.5dB
Alternate Channel Selectivity	
U, C, R, T models	85dB
Selectivity (two signals, 40kHz Dev.)	
A, G models	70dB
Signal-to-Noise Ratio	
Mono/Stereo (IHF)	
U, C, R, T models	80/75dB
Mono/Stereo (DIN-weighted, 40kHz Dev.)	
A, G models	75/70dB
Harmonic Distortion	
Mono/Stereo (1kHz)	
U, C, R, T models	0.1/0.2%
Mono/Stereo (40kHz Dev.)	
A, G models	0.1/0.2%
Frequency Response	
20Hz to 15kHz	0 ± 1.5dB
Stereo Separation	
1kHz U, C, R, T models	50dB
40kHz Dev. A, G models	50dB

AM SECTION

Tuning Range	
U, C models	530 to 1710kHz
A, G models	531 to 1611kHz
R, T models	530 to 1710/531 to 1611kHz
Usable Sensitivity	
	100µV/m
Selectivity	
	32dB
Signal-to-Noise Ratio	
	50dB
Image Response Ratio	
	40dB
Spurious Response Ratio	
	50dB
Harmonic Distortion (1kHz)	
	0.3%

TUNER SECTION

Tuner Output Level/Impedance	
FM (100% mod.)	
1kHz U, C, R, T models	500mV/2.2kΩ
40kHz Dev. A, G models	400mV/2.2kΩ
AM (30% mod., 1kHz)	150mV/2.2kΩ

VIDEO SECTION

Video Signal Level	1Vp-p/75Ω
Maximum Input Level	1.5Vp-p
Signal-to-Noise Ratio	50dB
Monitor Output Frequency Response	5Hz~10MHz, -3dB

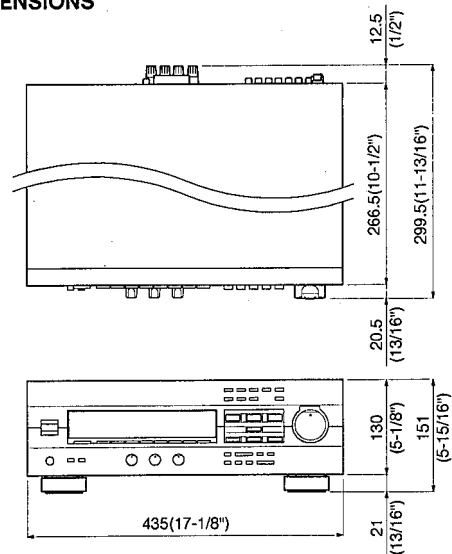
GENERAL

Power Supply	
U, C models	AC 120V, 60Hz
A model	AC 240V, 50Hz
B, G models	AC 230V, 50Hz
R, T models	AC 110/120/220/240V, 50/60Hz
Power Consumption	
RX-V393/R-V503	
U model	190W
C model	210W/250VA
R, T, A, G models	200W
RX-V493/R-V703	
U model	220W
C model	230W/320VA
R, T, A, G models	230W
AC Outlets	
U, C, R, T, G models, Switched x 2	100W max (Total)
A model, Switched x 1	100W max
Dimensions (W x H x D)	
	435 x 151 x 308.5mm (17-1/8" x 5-15/16" x 12-1/8")
Weight	
RX-V393/R-V503	7.8 kg (17 lbs. 3 oz)
RX-V493/R-V703	8.7 kg (19 lbs. 3 oz)
Accessories	
	AM loop antenna x 1
	Indoor FM antenna x 1
	Remote Control Transmitter x 1
	Battery (size "AA", "R06") x 2

* Specifications subject to change without notice.

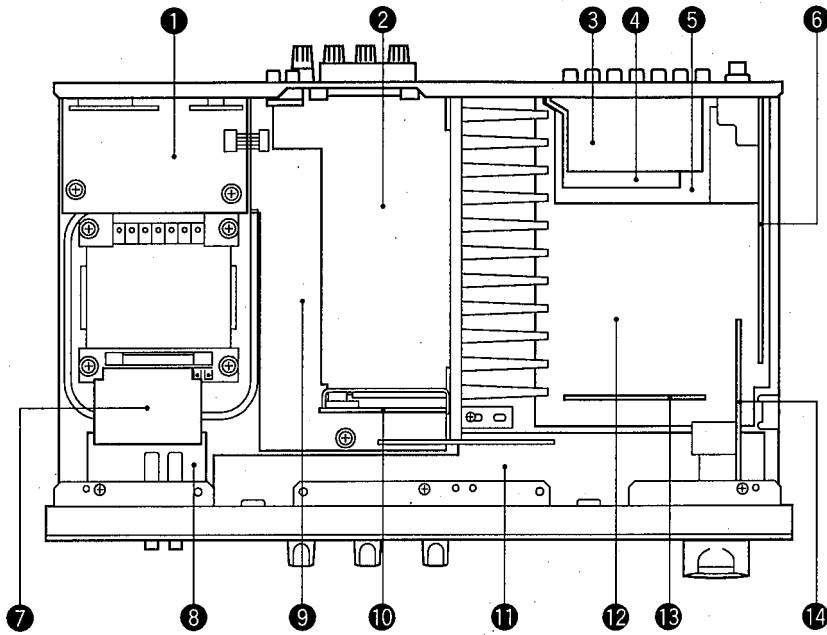
- | | | | |
|---|------------------------|---|----------------------|
| U | USA model | G | European model |
| C | Canadian model | R | General model |
| A | Australian model | T | China model |

DIMENSIONS



Units : mm (inch)

■ INTERNAL VIEW



- ① P. C. B. MAIN (2)
- ② P. C. B. INPUT (4)
- ③ P. C. B. OPERATION (4)
- ④ P. C. B. OPERATION (3)
- ⑤ P. C. B. INPUT (2)
- ⑥ P. C. B. TUNER
- ⑦ P. C. B. INPUT (6)
- ⑧ P. C. B. MAIN (3)
- ⑨ P. C. B. MAIN (1)
- ⑩ P. C. B. INPUT (5)
- ⑪ P. C. B. OPERATION (2)
- ⑫ P. C. B. INPUT (1)
- ⑬ P. C. B. SELECT
- ⑭ P. C. B. INPUT (3)

■ DISASSEMBLY PROCEDURES (Remove parts in disassembly order as numbered.)

1. Removal of Top Cover

a. Remove 4 screws (①) and 4 screws (②) in Fig. 1.

2. Removal of Front Panel

a. Remove the knobs.

b. Remove 6 screws (③) in Fig. 1.

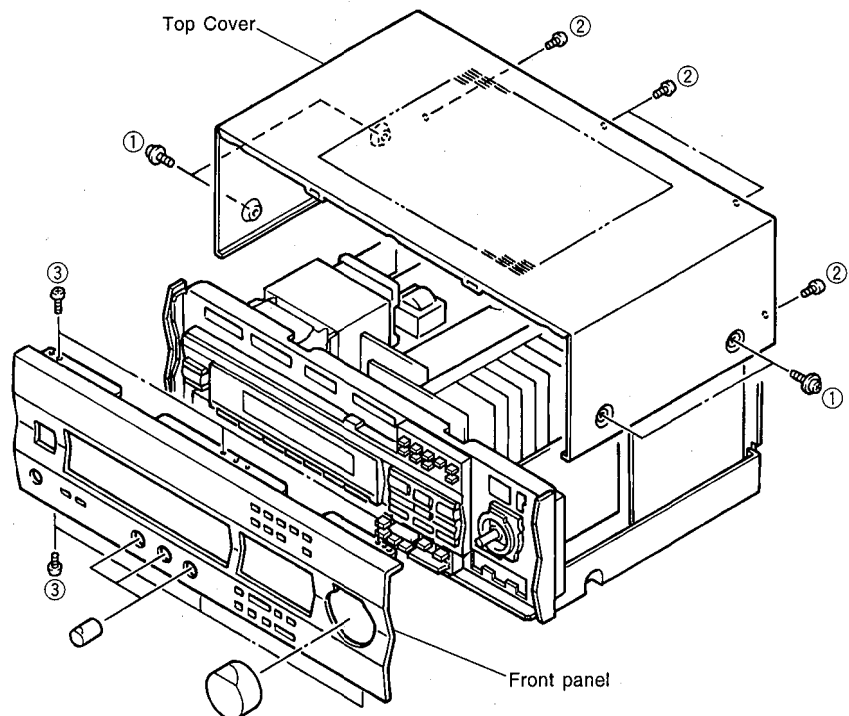


Fig. 1

3. Checking and Parts Replacement of Main Unit

- a. Disconnect the power cord from the AC outlet.
- b. Remove 2 screws (④) and 1 screw (⑤) in Fig. 2.
- c. Detach 1 connector terminal (CB103) in Fig. 2.
- d. Operating checks can be taken by shorting between following test points in Fig. 2.

Short Point
TP101 and TP102
TP103 and TP104
TP105 and TP106

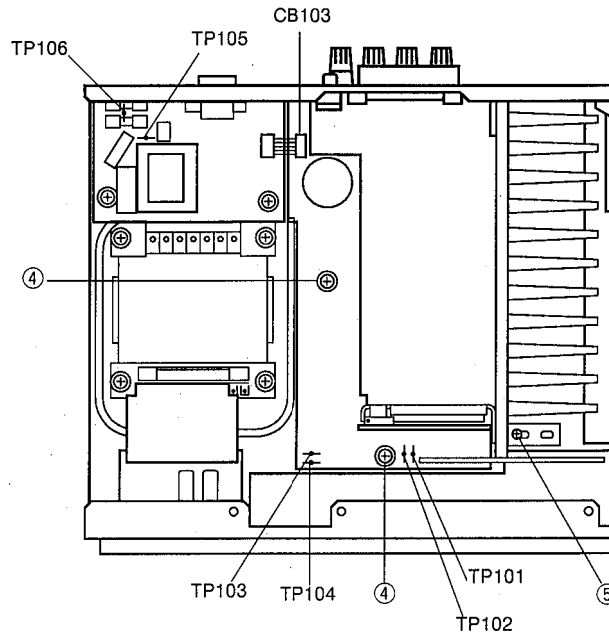


Fig. 2

- e. Remove 11 screws (⑥), 2 screws (⑦) and 2 screws (⑧) in Fig. 3.
- f. Cut 2 binding ties fixing the cable wire.
- g. Place the Main Unit on its side as shown in Fig. 4.
- h. Connect the power cord and turn ON the POWER switch.

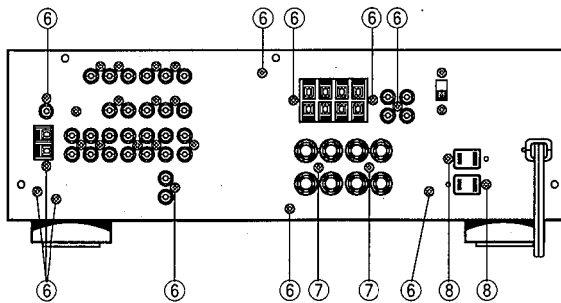


Fig. 3

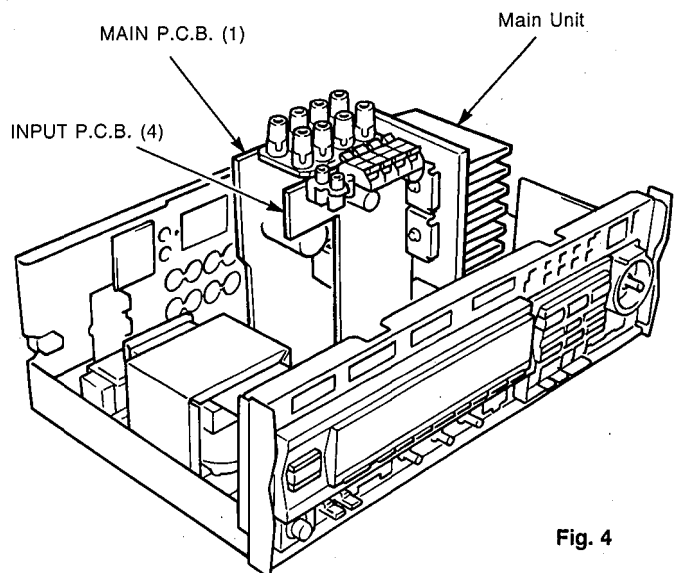


Fig. 4

■ SELF CHECK MODE

This machine has a SELF CHECK MODE (SELF) for facilitating inspection and measurement.

HOW TO START & CANCEL

Turn the POWER switch ON while pressing the DVD/LD and PRESET STATION No. 8 keys simultaneously, and then the unit enters the SELF CHECK MODE (SELF). FL displays "SELF 1" first. (The INPUT is CD.)

If the sound field program key of the main unit is pressed, the mode is set to the CHECK mode of that number. It is possible to select the INPUT even during the self check (except for SELF 8). To cancel the SELF CHECK MODE, turn the POWER switch OFF or press the PRESET STATION No. 8 key. (The unit enters the normal mode.)

HOW TO USE SELF CHECK MODE

In order to confirm characteristics (specifications) listed in the table below, use SELF NO. 1, 3 and 4. (For specifications, refer to page 5.)

No.	Items
1	<ul style="list-style-type: none"> • Output Level/Impedance • Frequency Response • Total Harmonic Distortion (Rec Out & MAIN) • S/N
3	<ul style="list-style-type: none"> • Minimum RMS Output Power Per Channel (Center & Rear) • Total Harmonic Distortion (Rear)
4	<ul style="list-style-type: none"> • Minimum RMS Output Power Per Channel (MAIN) • Input Sensitivity/Impedance • Headphone Jack Rated Output/Impedance • Channel Separation • Tone Control Characteristics

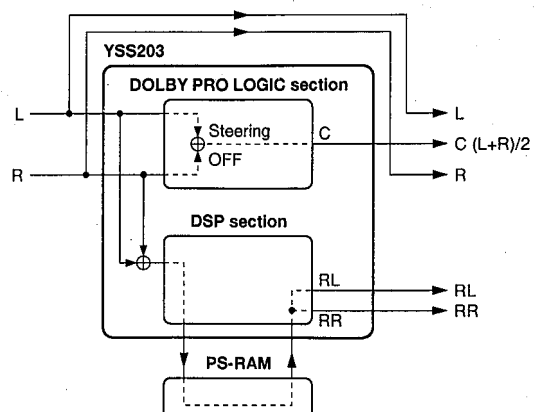
CONTENTS OF SELF CHECK MODE

No.	Menu	Select Key
1	RAM THROUGH A	PRESET STATION No. 1
2	RAM THROUGH B	PRESET STATION No. 2
3	RAM THROUGH C	PRESET STATION No. 3
4	EFFECT OFF/DISCO/FL ALL ON	PRESET STATION No. 4
5	MANUAL TEST	PRESET STATION No. 5
6	DOLBY PRO LOGIC	PRESET STATION No. 6
7	MAKER PRESET	PRESET STATION No. 7
8	EXIT	PRESET STATION No. 8

DETAILS OF SELF CONTENT

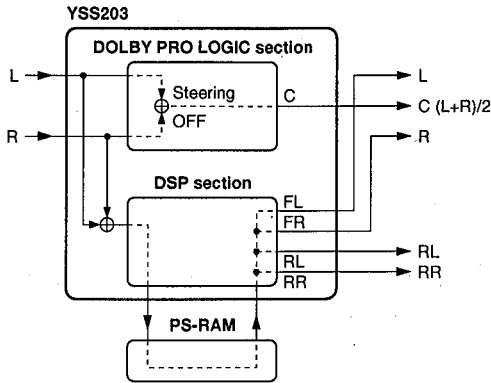
SELF 1 RAM THROUGH A

- MAIN L/R is output through the bypass.
- CENTER is output with the steering OFF and by (L+R)/2. (WIDE mode)
- RL/RR passes through the PS-RAM and is output through the DSP.
- The electronic volume (for CENTER/REAR) is -10dB.
- FL displays "SELF 1"



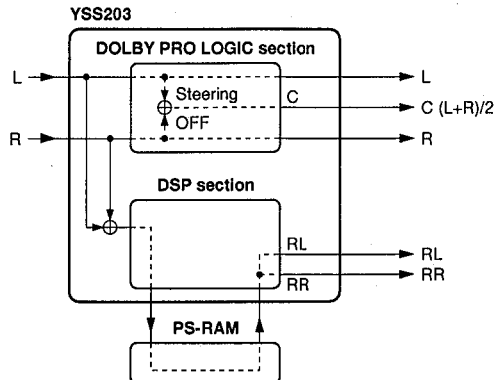
SELF 2 RAM THROUGH B

- L/R and RL/RR pass through the PS-RAM and are output through the DSP.
- CENTER is output with the steering OFF and by $(L+R)/2$. (WIDE mode)
- The electronic volume (for CENTER/REAR) is -10dB.
- FL displays "SELF 2"



SELF 3 RAM THROUGH C

- L/R is output with the steering OFF.
- CENTER is output with the steering OFF and by $(L+R)/2$. (WIDE mode)
- RL/RR passes through the PS-RAM and is output through the DSP.
- The electronic volume is +10dB for CENTER and +7dB for REAR.
- FL displays "SELF 3"



SELF 4 EFFECT OFF/DISCO/FL ALL ON

- Every time the PRESET STATION No. 4 key is pressed, the menu changes.
 - 1: EFFECT OFF
 - 2: DISCO (electronic volume is 0dB.)
 - 3: FL displays all ON

SELF 5 MANUAL TEST

- Every time PRESET STATION No. 5 key is pressed, the TEST TONE shifts in the order of $L \rightarrow C \rightarrow R \rightarrow S$ and is output. (The CENTER mode is WIDE)
- The electronic volume (for CENTER/REAR) is 0dB.

SELF 6 DOLBY PRO LOGIC

- The auto input balance which is ON in the normal mode is turned OFF.
- CENTER MODE is changed by pressing the PRESET STATION No. 6 key or the CENTER MODE key.
- The electronic volume (for CENTER/REAR) is 0dB.
- The FL displays "SELF 6" and the center mode.

SELF 7 MAKER PRESET

- Every time the PRESET STATION No. 7 key is pressed, the mode changes between the KEEP DATA and PRESET modes. Turning OFF the power in the "PRESET" mode will restore the FACTORY PRESET mode.

CAUTION : Before setting to the FACTORY PRESET, write down the existing preset memory contents of the Tuner in a table as shown below. (This is because setting to the FACTORY PRESET will cause the memory contents to be as factory set, i.e., all the preset memory by the user will be erased.)

Preset group	P1	P2	P3	P4
A				
B				
C				
D				
E				

Preset group	P5	P6	P7	P8
A				
B				
C				
D				
E				

● **Factory Preset**

1) **SURROUND section**

DELAY TIME	: <input type="checkbox"/> PRO LOGIC	20ms
	: <input type="checkbox"/> ENHANCED	20ms
	: <input type="checkbox"/> CONCERT VIDEO	28ms
	: <input type="checkbox"/> MONO MOVIE	20ms
	: <input type="checkbox"/> STADIUM	45ms
	: <input type="checkbox"/> DISCO	14ms
	: <input type="checkbox"/> ROCK CONCERT	17ms
	: <input type="checkbox"/> CONCERT HALL	30ms
CENTER MODE	: NORMAL	
VOLUME LEVEL	: CENTER	0dB
	: REAR	0dB

2) **SELECTOR section**

INPUT	: CD
VIDEO (BGV)	: DVD/LD

3) **TUNER section**

Preset group	P1	P2	P3	P4
A / C / E	87.5MHz	90.1MHz	95.1MHz	98.1MHz
B / D	630kHz	1080kHz	1440kHz	530kHz (U, C, R, T) 531kHz (R, T, A, G)

Preset group	P5	P6	P7	P8
A / C / E	107.9MHz (U, C, R, T) 108.0MHz (R, T, A, G)	88.1MHz	106.1MHz	107.9MHz (U, C, R, T) 108.0MHz (R, T, A, G)
B / D	1710kHz (U, C, R, T) 1611kHz (R, T, A, G)	900kHz	1350kHz	1400kHz (U, C, R, T) 1404kHz (R, T, A, G)

For all the above, AUTO TUNING and AUTO STEREO are selected as the TUNING mode.

SELF 8 EXIT

- "MODEL" is displayed first. When the PRESET STATION No. 8 key is pressed again, the unit will exit the SELF CHECK mode.

■ PROTECTION OPERATION CHECK FUNCTION

1. Turn the POWER switch ON while pressing the TUNER and PRESET STATION No. 8 keys simultaneously, and the protection operation mode and the microprocessor AD input value are displayed for 3 seconds.

Example : PRT-DC [AD value] [PRT-DC] indicates detection of an abnormal DC value from the amplifier.
 PRT-I [PRT-I] indicates detection of an abnormal overcurrent from the amplifier.
 [PRT-NON] indicates no detection.

When the PRESET STATION No. 8 key is pressed during the above display, the input data are retained till they are cleared.
 ("PRT-NON" appears on display when the data are cleared.)

2. Turn the POWER switch ON while pressing the TUNER and the PRESET STATION No. 7 keys simultaneously, and the input value for detection of an abnormal amplifier DC will be displayed.

Example : P - [01] D - [AD value]
 [P- 01] is meaningless and therefore should be ignored.
 [DC-] indicates detection of an abnormal amplifier DC.

Type of protection	Normal (AD value)	Abnormal (AD value)
Detection of an abnormal amplifier DC	128 - 255	0 - 127

Press any key, and the display will be canceled.

AMP ADJUSTMENTS

Confirmation of Idling Current

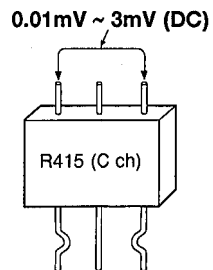
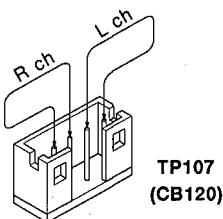
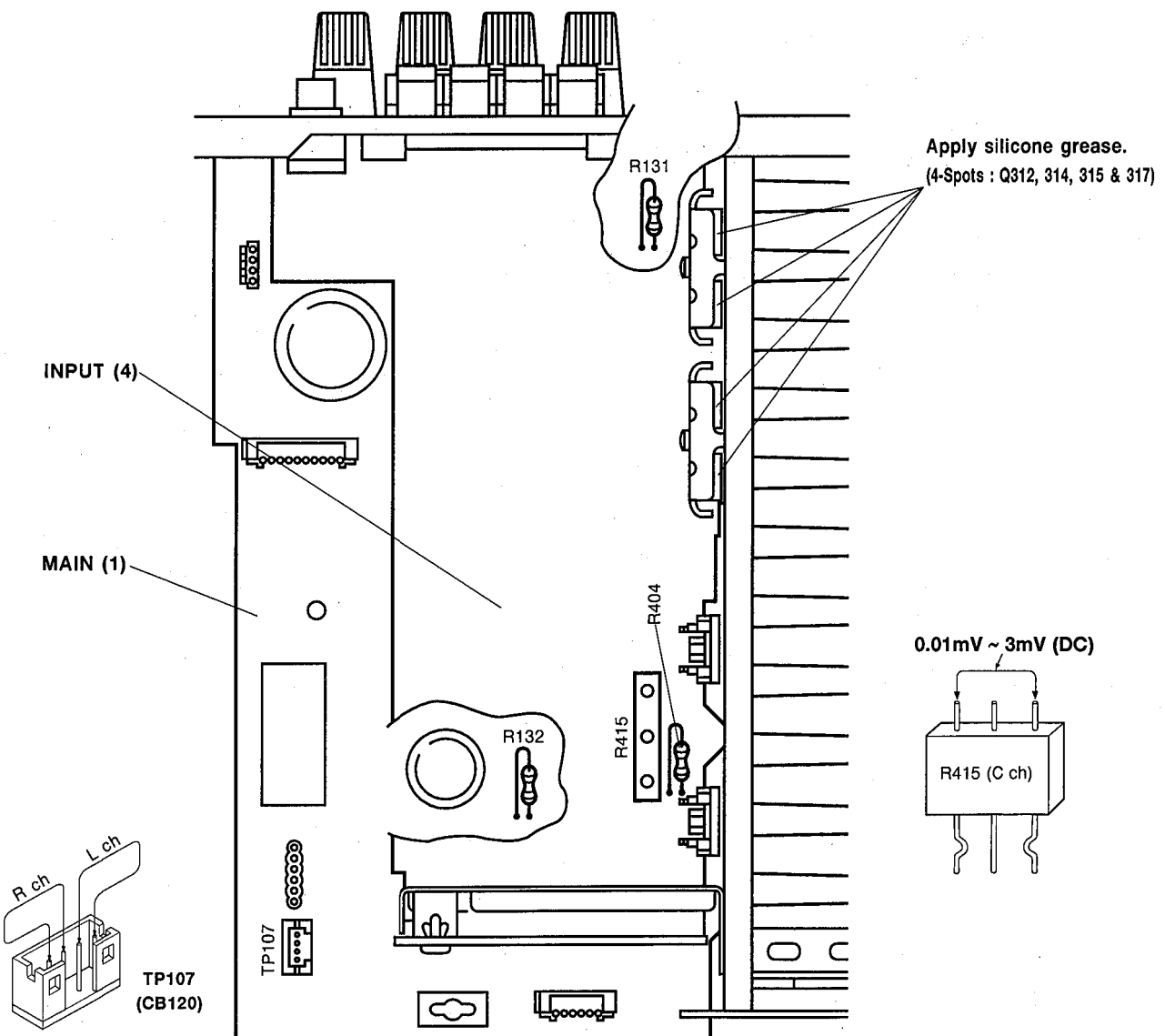
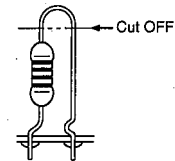
- 1) No signal applied.
- 2) Non-loaded condition.
- 3) Aging is not necessary.

Item	Test Point	Rating (DC)	Note
MAIN L	TP107 (CB120)	0.05mV~2.5mV	If the measured voltage exceeds 2.6mV, cut the lead wire of R131(L ch) or R132(R ch) and then check again if each measured value satisfies the rating.
MAIN R			
CENTER	R415 (Between terminal)	0.01mV~3mV	If the measured voltage exceeds 3.1mV, cut the lead wire of R404(C ch) and then check again if each measured value satisfies the rating.

Note)

- If R131(L ch), R132(R ch) or R404(C ch) have already been cut off and idling current does not flow, reconnect R131(1kΩ), R132(1kΩ) or R404(8.2kΩ).
- Q107, Q108 and Q320 are transistors for temperature correction. Apply silicone grease to the contact surface with the heat sink.

R131 (L ch)
R132 (R ch)
R404 (C ch)

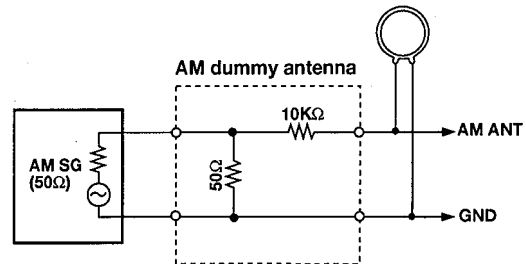
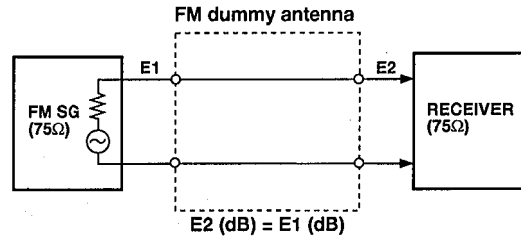
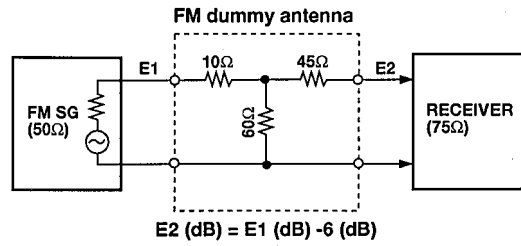


TUNER ADJUSTMENTS

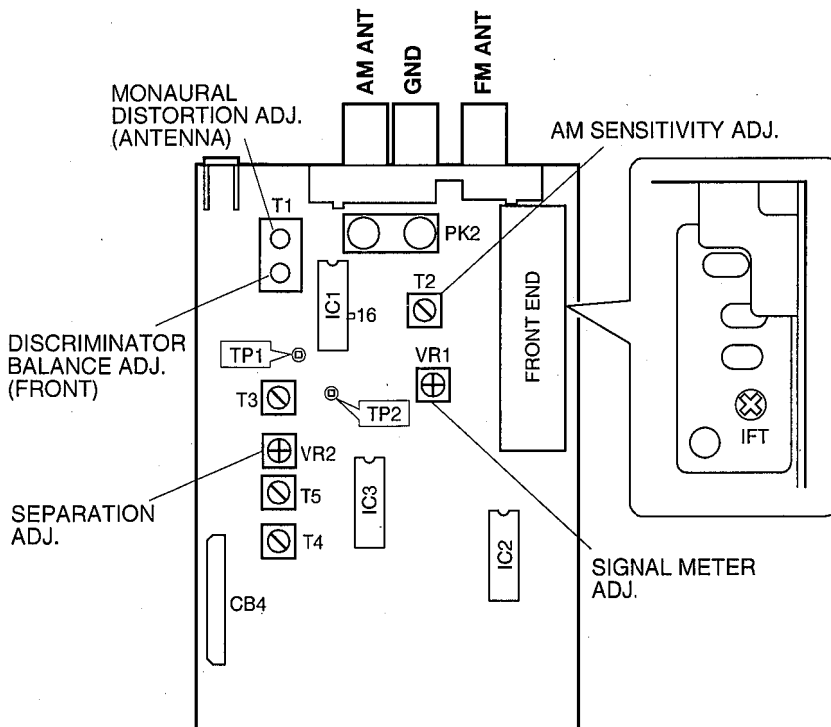
Measuring Instruments

- FM signal generator (FM SG)
- Stereo signal generator (SSG)
- AM signal generator (AM SG)
- Distortion meter (DIST. M)
- AC voltmeter (ACVM)
- DC voltmeter (DCVM)
- Oscilloscope
- Low pass filter (YLF-15, $f_c=15\text{kHz}$)
- Oscillator

Dummy antenna



Test point



FM Adjustment

● **Before Adjustment**

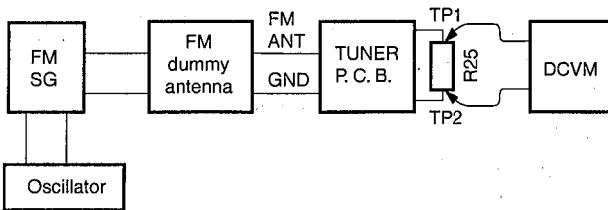
- 1) For dB, $1\mu V=0dB\mu$
Example : $60dB\mu=1mV$
- 2) 100% modulation means that the frequency deviation is $\pm 75kHz$.

- 3) Install the Matching Transformer and connect FM SG.
- 4) Set each switch to the following position unless otherwise specified.

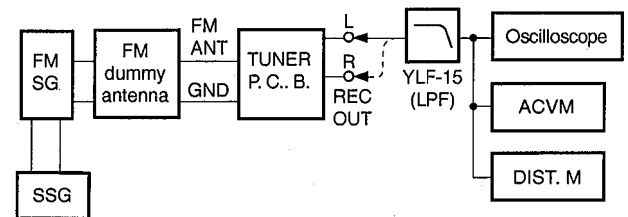
INPUT SELECTOR TUNER
 TUNING MODE AUTO

● **Connection diagram (Measuring instruments)**

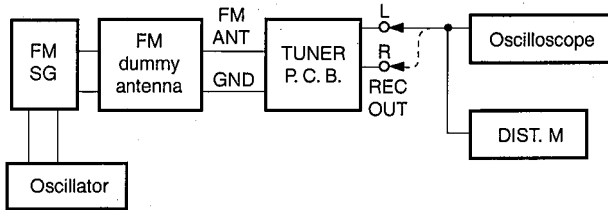
1) **Discriminator balance adjustment**



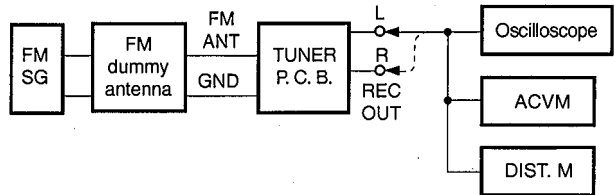
3) **Stereo distortion adjustment/separation adjustment**



2) **Monaural distortion adjustment**



4) **Sensitivity Verification**



See page 14 for TP locations & adjustment points.

Step	Adjustment item	Signal (ANT IN)	Reception frequency	Adjustment point	Test point	Rating
1	Rough adjustment of discriminator balance	FM ANT (75Ω) 98.1MHz ** 70dBμ MONO 1kHz 100% modulation	98.1MHz * (A-4)	T1 (Front side core)	Both ends of R25 (Between TP1 and TP2)	DC 0V±100mV
2	Rough adjustment of monaural distortion	Same as Step 1.	98.1MHz * (A-4)	T1 (Antenna side core)	REC OUT L, R	Minimize the distortion.
3	Fine adjustment of discriminator balance	Same as Step 1.	98.1MHz * (A-4)	T1 (Front side core)	Both ends of R25 (Between TP1 and TP2)	DC 0V±50mV
4	Fine adjustment of monaural distortion	Same as Step 1.	98.1MHz * (A-4)	T1 (Antenna side core)	REC OUT L, R	Minimize the distortion (to 0.25% or less).
5	Verification of discriminator balance	Same as Step 1.	98.1MHz * (A-4)	T1 (Front side core)	Both ends of R25 (Between TP1 and TP2)	DC 0V±50mV

* : Execution of FACTORY PRESET (Refer to page 11.) will facilitate setting reception frequency for adjustment.

** Must be 98.1MHz ± 5kHz

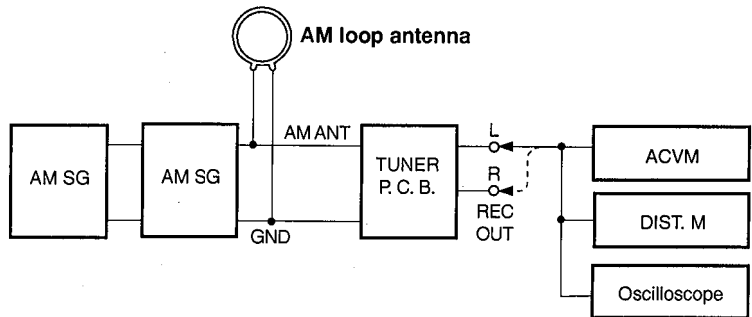
Step	Adjustment item	Signal (ANT IN)	Reception frequency	Adjusted point	Test point	Rating
6	Adjustment of front end IFT	FM ANT (75Ω) 98.1MHz 30dBμ MONO 1kHz, 100% modulation	98.1MHz * (A-4)	Front end IFT	Pin 16 of IC1	Adjust so that the DC voltage is maximum. CAUTION : Over-adjustment of the IFT core will reduce the sensitivity. Maximum ±90°
7	Verification of monaural distortion	FM ANT (75Ω) 98.1MHz 70dBμ MONO 1kHz, 100% modulation	98.1MHz * (A-4)		REC OUT L, R	0.4% or less
8	Verification of stereo distortion	FM ANT (75Ω) 98.1MHz 70dBμ Stereo L or R 1kHz, 100% modulation	98.1MHz * (A-4) * Tuning mode should be AUTO.		REC OUT L, R	1% or less • STEREO indicator should light.
9	Verification of sensitivity	FM ANT (75Ω) 88.1MHz 98.1MHz 106.1MHz MONO 1kHz Modulation off	88.1MHz * (A-6) 98.1MHz * (A-4) 106.1MHz * (A-7)		ANT (75Ω)	1) Set the tuning mode to MAN'L MONO. (Muting OFF) 2) S/N should be 30dB at each frequency of 88.1MHz, 98.1MHz, and 106.1MHz. 3) Check to ensure that the voltage at the ANT terminal is 3dBμ (14.25dBf) or less. (G only : 6dBμ or less)
10	Adjustment of Separation	FM ANT (75Ω) 98.1MHz 70dBμ Stereo L or R 1kHz, 100% modulation	98.1MHz * (A-4)	VR2	REC OUT L, R	With SSG output at L or R, the signal leakage level at the other channel should be minimized. 36dB or more
11	Adjustment of Signal meter	FM ANT (75Ω) 98.1MHz 45dBμ MONO 1kHz 30% modulation	98.1MHz * (A-4)	VR1		Adjust so that all segments light.
		-10dBμ or less				Check to ensure that signal meters turn OFF.
12	Verification of auto tuning	FM ANT (75Ω) 98.1MHz 23dBμ Stereo L or R 1kHz, 30% modulation	98.1MHz			• Automatic reception should be available when the tuning key is moved UP and DOWN. • The stereo indicator should light. • Audio muting should be applied during tuning.

* : Execution of FACTORY PRESET (Refer to page 11.) will facilitate setting reception frequency for adjustment.

AM Adjustment (This should be done after FM adjustment.)

● **Connection Diagram (Measuring instruments)**

1) Adjustment of sensitivity



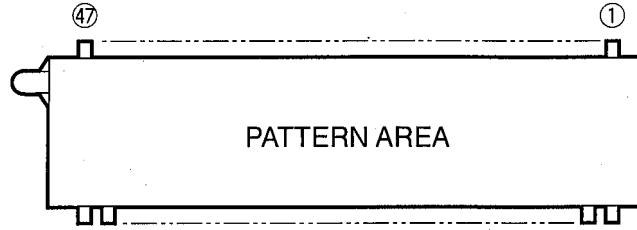
See page 14 for TP locations & adjustment points.

Step	Adjustment item	Signal (ANT IN)	Reception frequency	Adjustment point	Test point	Rating
1	Adjustment of sensitivity (1440Hz)	AM ANT 1440kHz 50dB μ 1kHz 30% modulation	1440kHz * (B-3)	T2	REC OUT	Audio output should be maximized.
2	Verification of sensitivity (630kHz)	AM ANT 630kHz 50dB μ 1kHz 30% modulation	630kHz * (B-1)	T2	REC OUT	Audio output should be maximized. Repeat the Step 1 and 2.
3	Verification of sensitivity	AM ANT 630kHz 1080kHz 1440kHz 30% modulation	630kHz * (B-1) 1080kHz * (B-2) 1440kHz * (B-3)		AM ANT	Distortion should be 10% or less at each frequency. Check to ensure that the voltage at the ANT terminal is 54dB μ or less.
4	Verification of auto tuning	AM ANT 60dB μ				Auto reception should be available when the tuning key is moved UP and DOWN.

* : Execution of FACTORY PRESET (Refer to page 11.) will facilitate setting reception frequency for adjustment.

■ DISPLAY DATA

● V1 : 13-BT-151GK (VV298800)

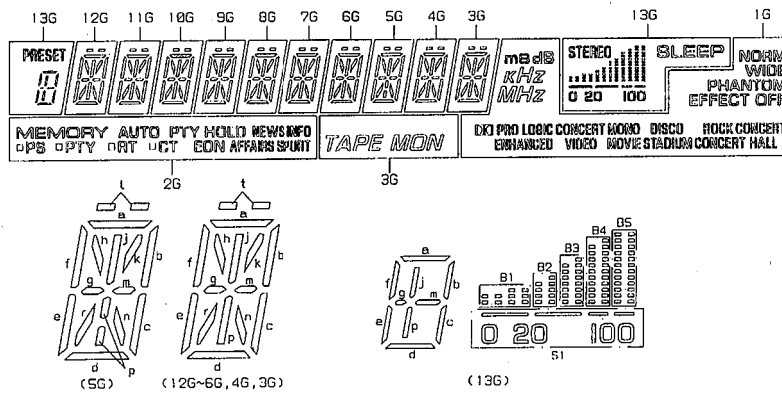


● PIN CONNECTION

PIN NO.	1	2	3	4	5	6	7	8	9	10	11	12	13	14	15	16	17	18	19	20	21
CONNECTION	F1	F1	NP	NP	P1	P2	P3	P4	P5	P6	P7	P8	P9	P10	P11	P12	P13	P14	P15	P16	NC
PIN NO.	22	23	24	25	26	27	28	29	30	31	32	33	34	35	36	37	38	39	40	41	42
CONNECTION	NC	NC	NC	NC	NC	NC	NC	NC	NC	13G	12G	11G	10G	9G	8G	7G	6G	5G	4G	3G	2G
PIN NO.	43	44	45	46	47																
CONNECTION	1G	NP	NP	F2	F2																

NOTE 1) F1, F2 Filament
 2) NP No pin
 3) NC No connection
 4) P1~P16 ... Datum Line
 5) 1G~13G .. Grid

● GRID ASSIGNMENT



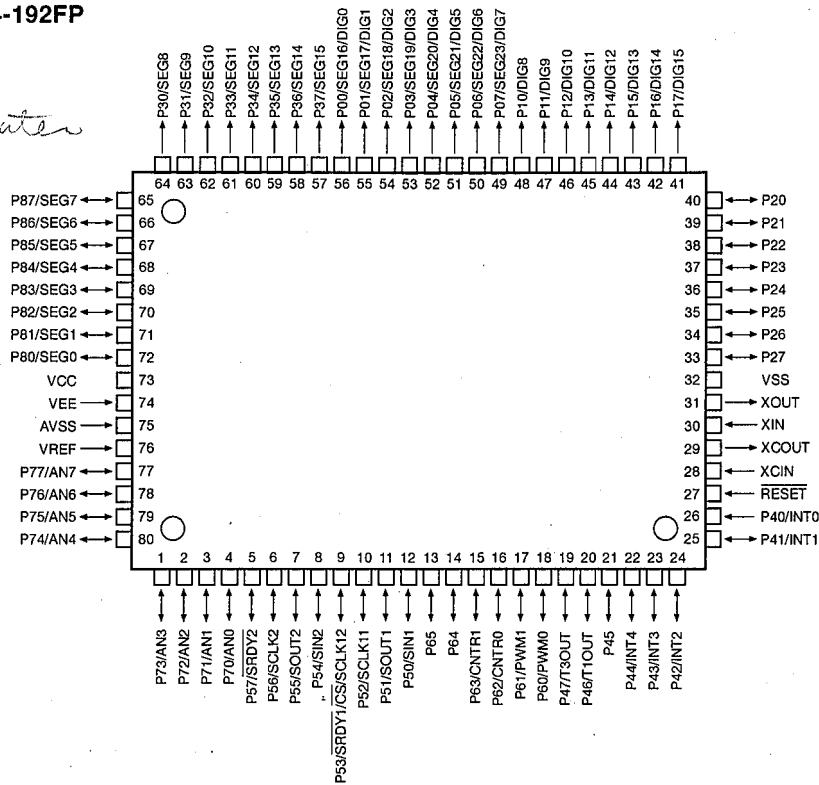
● ANODE CONNECTION

	13G	12G~4G	3G	2G	1G
P1	a	a	a	MEMORY	NORM
P2	b, c	b	b	AUTO	WIDE
P3	d	c	c	PTY HOLD	PHANTOM
P4	e, f	d	d	SPORT	EFFECT OFF
P5	g	e	e	AFFAIRS	ROCK CONCERT
P6	j, p	f	f	MFO	CONCERT HALL
P7	m	g	g	NEWS	DISCO
P8	PRESET	h	h	EON	STADIUM
P9	STEREO	j	j	CT	MONO MOVIE
P10	B1	k	k	□ (CT)	CONCERT VIDEO
P11	B2	m	m	RT	DO PRO LOGIC
P12	B3	n	n	□ (RT)	ENHANCED
P13	B4	p	p	PTY	dB
P14	B5	r	r	□ (PTY)	ms
P15	S1	t	t	PS	KHz
P16	SLEEP	-	TAPE MON	□ (PS)	MHz

IC DATA

IC4 : M38172M4-192FP
8 bit μ-COM

Micro Computer



Pin No.	Port	I/O	Function
1	P73	I	KEY AD IN 1 (A-D)
2	P72	I	METER IN (A-D)
3	P71	I	PROTECTION 1 DETECT (not used) (GND)
4	P70	I	PROTECTION 2 DETECT (A-D)
5	P57	I	PROTECTION 3 DETECT
6	P56	O	SCLK 2
7	P55	O	SOUT 2
8	P54	I	DO IN for tuner
9	P53	O	Main mute [L : ON]
10	P52	I	SCLK IN RDS
11	P51	I/O	V2 market / RES OUT RDS
12	P50	I/O	V1 market / SDATA IN RDS
13	P65	I	RDS SELECT IN [H : RDS]
14	P64	I	DSP-A SELECT IN [H : DSPA]
15	P63	I	493 SELECT IN [H : 493]
16	P62	I	V393 SELECT IN [H : V393]
17	P61	O	Center mute [L : ON]
18	P60	O	Rear mute [L : ON]
19	P47	O	CETUN for tuner
20	P46	O	TMUTE for tuner [L : ON]
21	P45	O	Main mute [L : ON]
22	P44	I	/ST for tuner [L : STEREO]
23	P43	I	Power switch in [H : ON]
24	P42	I	Power down detect [L : DOWN]
25	P41	I	REMOTE CONTROL IN (INT1)
26	P40	I	START IN RDS (INT0)
27	RES		RESET

Protection 2 (4 pin)

Detection of an abnormal amplifier DC. Normal when AD value (128 - 255)/256. Detection starts 2 seconds after the power is turned ON.

Protection 3 (5 pin)

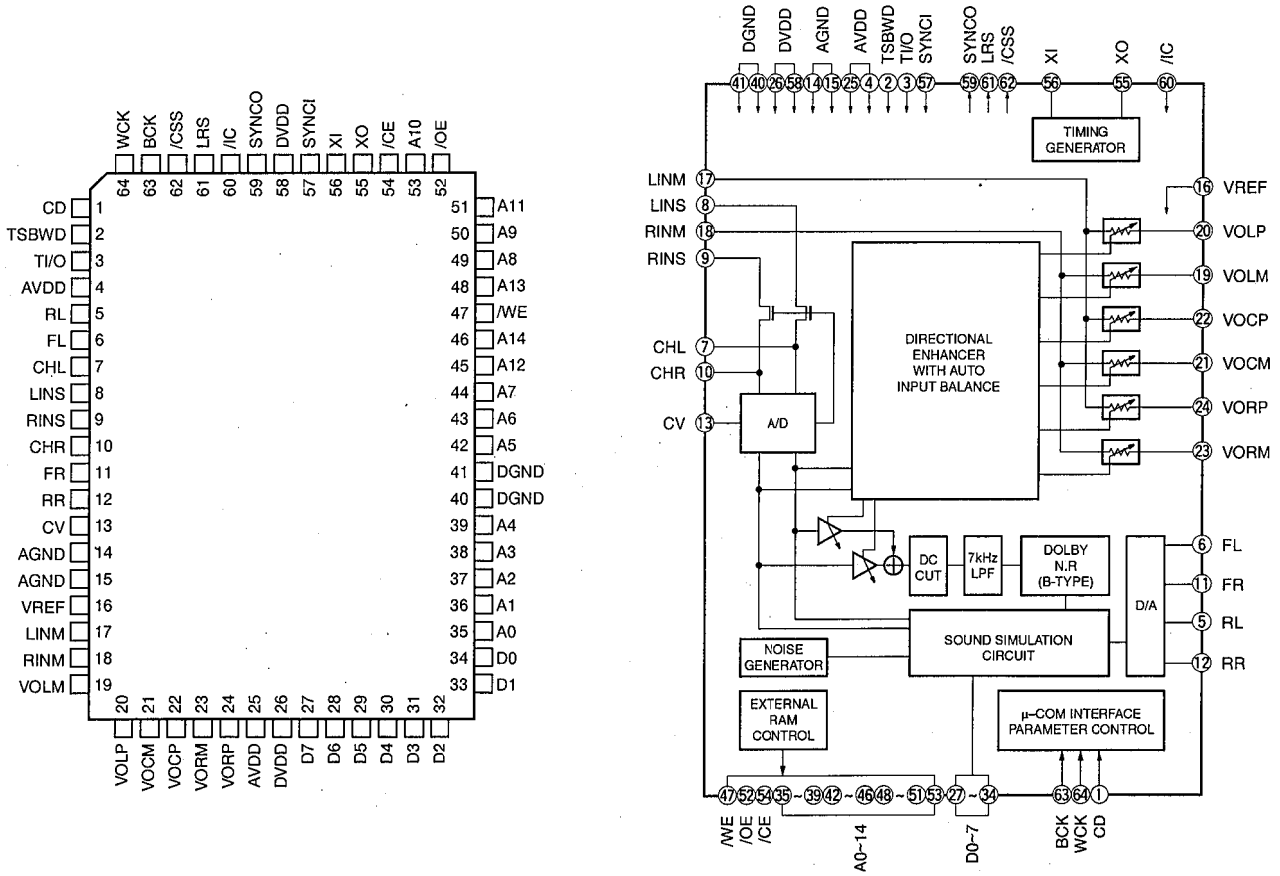
Detection of an abnormal amplifier overcurrent. Abnormality detected at H. Detection starts after the power is turned ON.

IC4 : M38172M4-192FP
8 bit μ -COM

Pin No.	Port	I/O	Function
28	XCIN		GND
29	XCOU		OPEN
30	XIN		6.3 MHz IN (CLOCK)
31	XOUT		6.3 MHz OUT (CLOCK)
32	VSS		GND
33	P27	O	VIDEO SELECTOR A (VSEL1)
34	P26	O	VIDEO SELECTOR B (VSEL2)
35	P25	O	NOT VCR SELECT [H : VCR]
36	P24	O	CE VR
37	P23	O	CE SEL
38	P22	O	CE DSP
39	P21	O	VOL UP OUT
40	P20	O	VOL DOWN OUT
41	P17	O	DSP SERIAL SELECT [H : DSP]
42	P16	O	POWER RELAY OUT [H : ON]
43	P15	O	SPEAKER RELAY OUT (MAIN) [H : ON]
44	P14	O	FL DIGIT 1 [H : ON]
45	P13	O	FL DIGIT 2 [H : ON]
46	P12	O	FL DIGIT 3 [H : ON]
47	P11	O	FL DIGIT 4 [H : ON]
48	P10	O	FL DIGIT 5 [H : ON]
49	P07	O	FL DIGIT 6 [H : ON]
50	P06	O	FL DIGIT 7 [H : ON]
51	P05	O	FL DIGIT 8 [H : ON]
52	P04	O	FL DIGIT 9 [H : ON]
53	P03	O	FL DIGIT 10 [H : ON]
54	P02	O	FL DIGIT 11 [H : ON]
55	P01	O	FL DIGIT 12 [H : ON]
56	P00	O	FL DIGIT 13 [H : ON]
57	P37	O	FL SEGMENT 16 [H : ON]
58	P36	O	FL SEGMENT 15 [H : ON]
59	P35	O	FL SEGMENT 14 [H : ON]
60	P34	O	FL SEGMENT 13 [H : ON]
61	P33	O	FL SEGMENT 12 [H : ON]
62	P32	O	FL SEGMENT 11 [H : ON]
63	P31	O	FL SEGMENT 10 [H : ON]
64	P30	O	FL SEGMENT 9 [H : ON]
65	P87	O	FL SEGMENT 8 [H : ON]
66	P86	O	FL SEGMENT 6 [H : ON]
67	P85	O	FL SEGMENT 5 [H : ON]
68	P84	O	FL SEGMENT 4 [H : ON]
69	P83	O	FL SEGMENT 3 [H : ON]
70	P82	O	FL SEGMENT 2 [H : ON]
71	P81	O	FL SEGMENT 1 [H : ON]
72	P80	O	FL SEGMENT 0 [H : ON]
73	VCC		+5V
74	VEE		-21V
75	AVSS		GND
76	VREF		A-D REFERENCE VOLTAGE IN (+5V)
77	P77	I	KEY AD IN 5 (A-D)
78	P76	I	KEY AD IN 4 (A-D)
79	P75	I	KEY AD IN 3 (A-D)
80	P74	I	KEY AD IN 2 (A-D)

IC-16 : YSS203B

Digital Dolby Pro Logic Decoder with Auto Input Balance



No.	Name	I/O	Function
1	CD	I/O	Serial data of parameter data input
2	TSBWD	Ic	LSI test terminal Normally connected to DVDD terminal
3	TI/O	Ic	LSI test terminal Normally connected to DVDD terminal
4	AVDD	A—	+5V power supply (D/A, A/D section)
5	RL	AO	RL channel D/A output
6	FL	AO	FL channel D/A output
7	CHL	A—	LINS input Sample/hold Capacitor external terminal
8	LINS	AI	L channel A/D input
9	RINS	AI	R channel A/D input
10	CHR	A—	RINS input Sample/hold Capacitor external terminal
11	FR	AO	FR channel D/A output
12	RR	AO	RR channel D/A output
13	CV	AO	A/D, multiplying DAC center voltage
14	AGND	A—	Ground (D/A, A/D section)
15	AGND	A—	Ground (Multiplying DAC section)
16	VREF	AI	Multiplying DAC reference voltage input
17	LINM	AI	L channel Multiplying DAC input
18	RINM	AI	R channel Multiplying DAC input
19	VOLM	AO	L channel operation amplifier, connected to (-) terminal
20	VOLP	AO	L channel operation amplifier, connected to (+) terminal

MEMO

IC16 : YSS203B

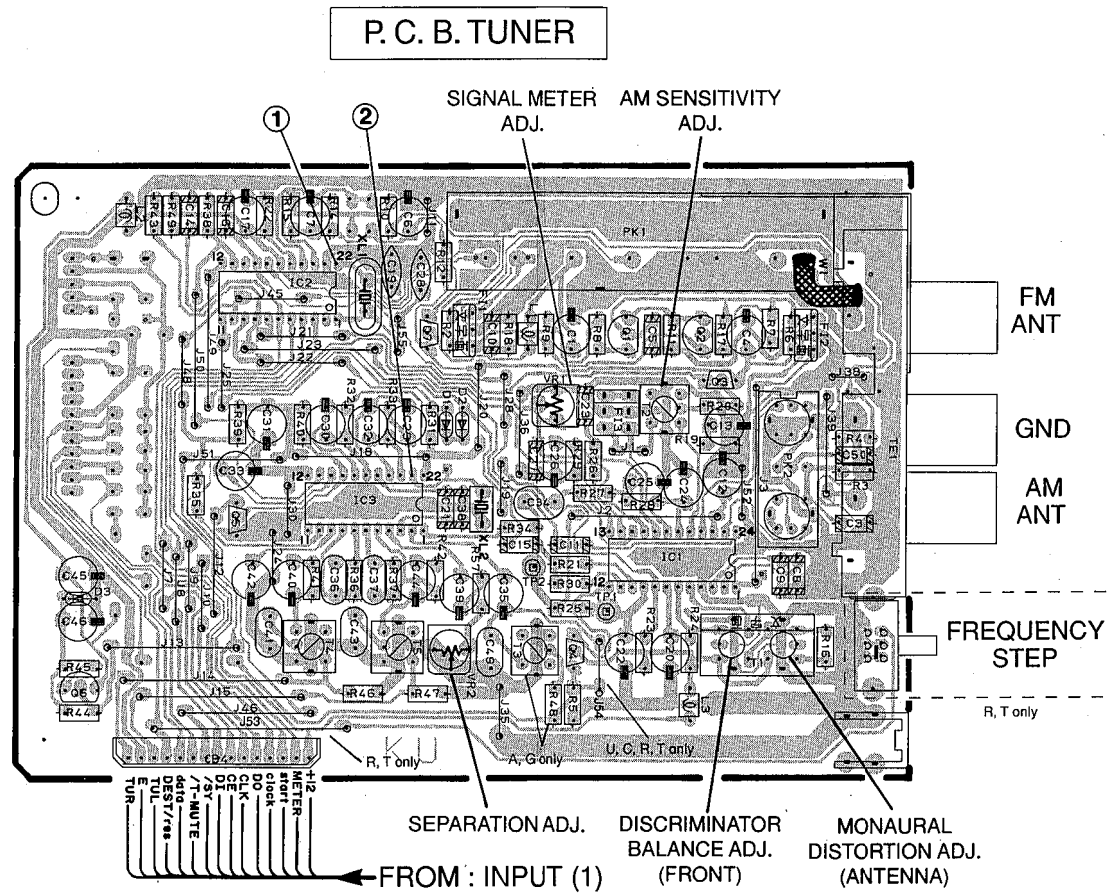
Digital Dolby Pro Logic Decoder with Auto Input Balance

No.	Name	I/O	Function
21	VOCM	AO	C channel operation amplifier, connected to (-) terminal
22	VOCP	AO	C channel operation amplifier, connected to (+) terminal
23	VORM	AO	R channel operation amplifier, connected to (-) terminal
24	VORP	AO	R channel operation amplifier, connected to (+) terminal
25	AVDD	A—	+5V power supply (multiplying DAC section)
26	DVDD	—	+5V power supply (digital section)
27	D7	I/Ot	External delay RAM data terminal
28	D6	I/Ot	External delay RAM data terminal
29	D5	I/Ot	External delay RAM data terminal
30	D4	I/Ot	External delay RAM data terminal
31	D3	I/Ot	External delay RAM data terminal
32	D2	I/Ot	External delay RAM data terminal
33	D1	I/Ot	External delay RAM data terminal
34	D0	I/Ot	External delay RAM data terminal
35	A0	O	External data RAM address terminal
36	A1	O	External data RAM address terminal
37	A2	O	External data RAM address terminal
38	A3	O	External data RAM address terminal
39	A4	O	External data RAM address terminal
40	DGND	—	Ground (digital section)
41	DGND	—	Ground (digital section)
42	A5	O	External data RAM address terminal
43	A6	O	External data RAM address terminal
44	A7	O	External data RAM address terminal
45	A12	O	External data RAM address terminal
46	A14	O	External data RAM address terminal
47	/WE	O	External delay RAM write enable terminal
48	A13	O	External delay RAM address terminal
49	A8	O	External delay RAM address terminal
50	A9	O	External delay RAM address terminal
51	A11	O	External delay RAM address terminal
52	/OE	O	External delay RAM output enable terminal
53	A10	O	External delay RAM address terminal
54	/CE	O	External delay RAM chip enable terminal
55	XO	O	Crystal oscillator connecting terminal
56	XI	I	Crystal oscillator connecting terminal
57	SYNCI	It	Test terminal for system synchronization, normally connected to DVDD
58	DVDD	—	+5V power supply (digital section)
59	SYNCO	O	Test terminal for system synchronization, normally unconnected
60	/IC	Ics	Initial clear terminal (Power ON resetting is necessary)
61	LRS	O	External automatic input balance terminal, normally unconnected
62	/CSS	O	External automatic input balance terminal, normally unconnected
63	BCK	I _{ts}	Bit clock for parameter data input
64	WCK	I _{ts}	Word clock for parameter data input

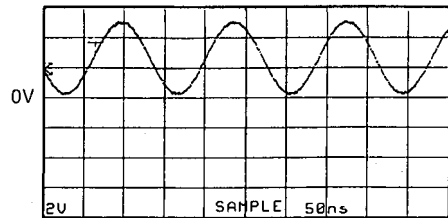
Note : Letters used in the above I/O column represent as follows.

I : Input terminal O : Output terminal t : TTL level
c : CMOS level s : Schmidt input A : Analog terminal

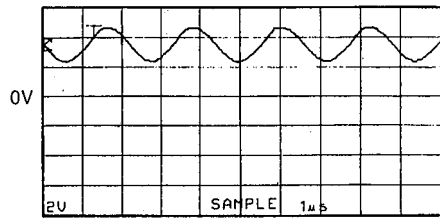
■ RX-V393/R-V503 PRINTED CIRCUIT BOARD (Foil side)



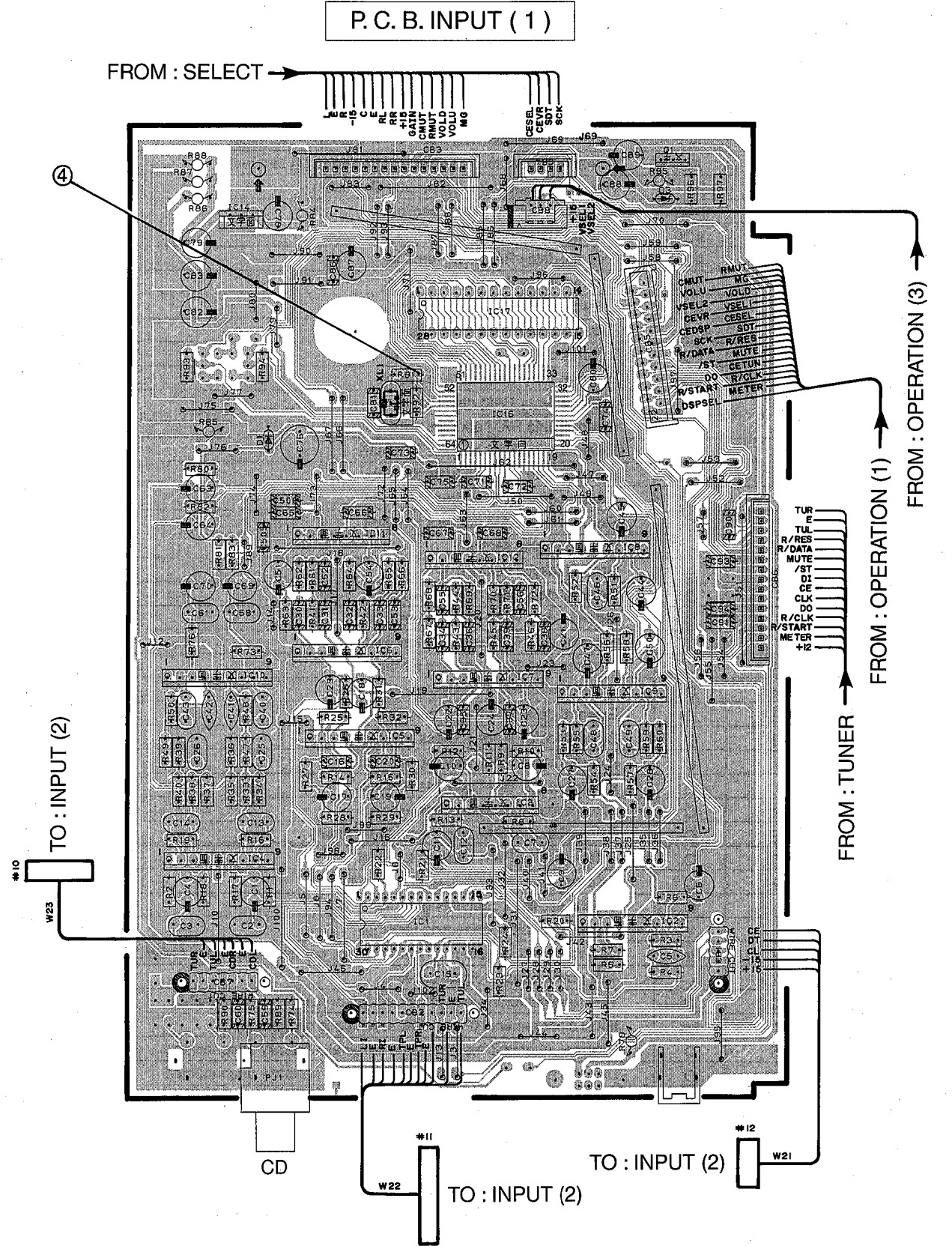
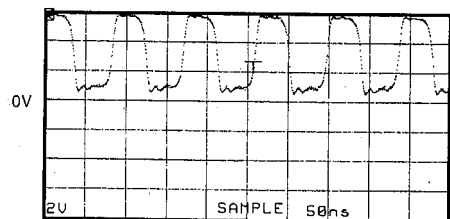
Point ① (Pin22 of IC2) FM reception
 V : 2V/div H : 50nsec/div
 DC range 1 : 1 probe



Point ② (Pin21 of IC3)
 V : 2V/div H : 1μsec/div
 DC range 1 : 1 probe

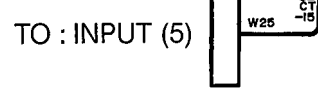
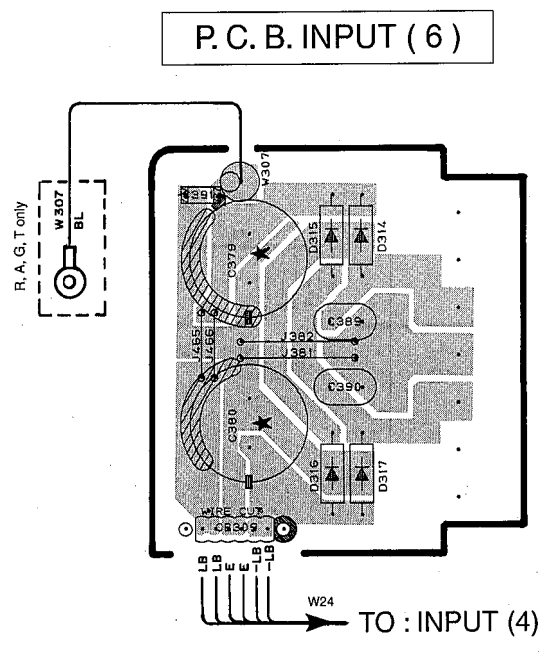
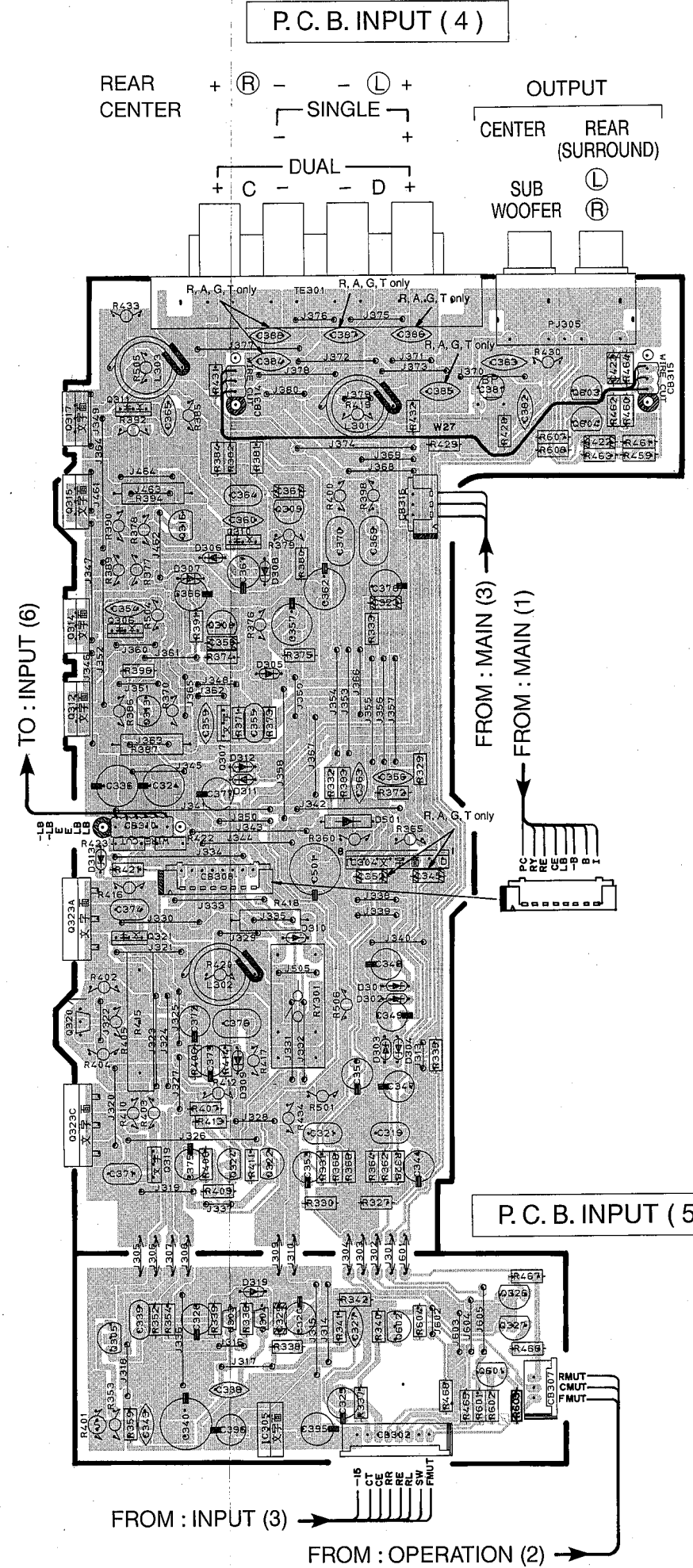
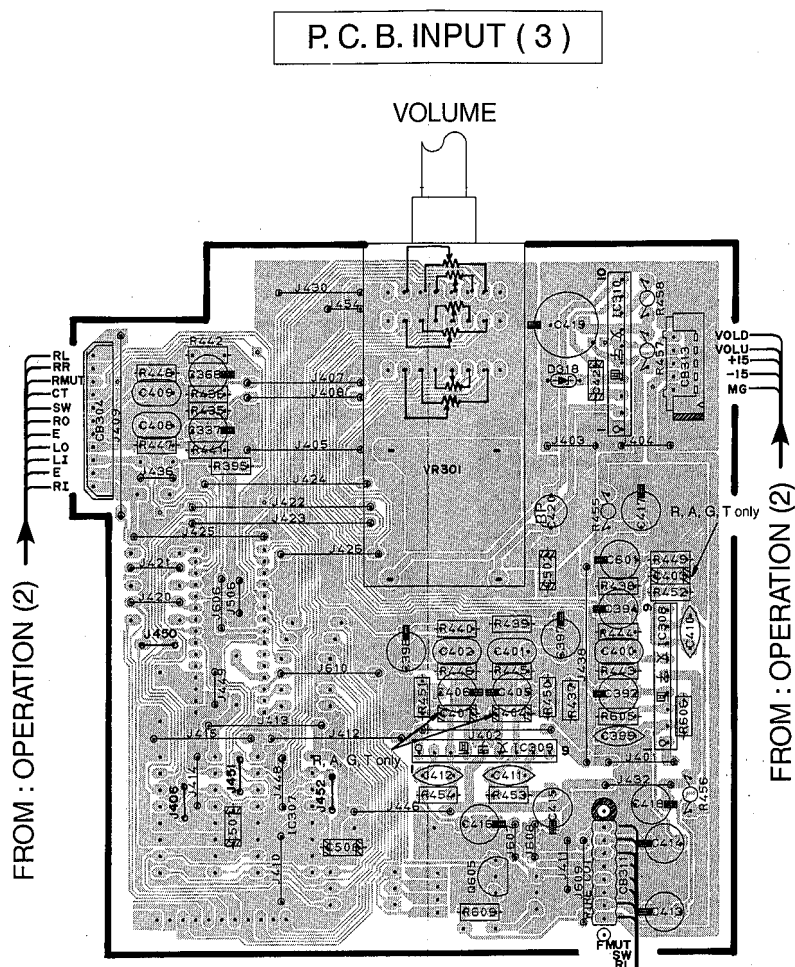
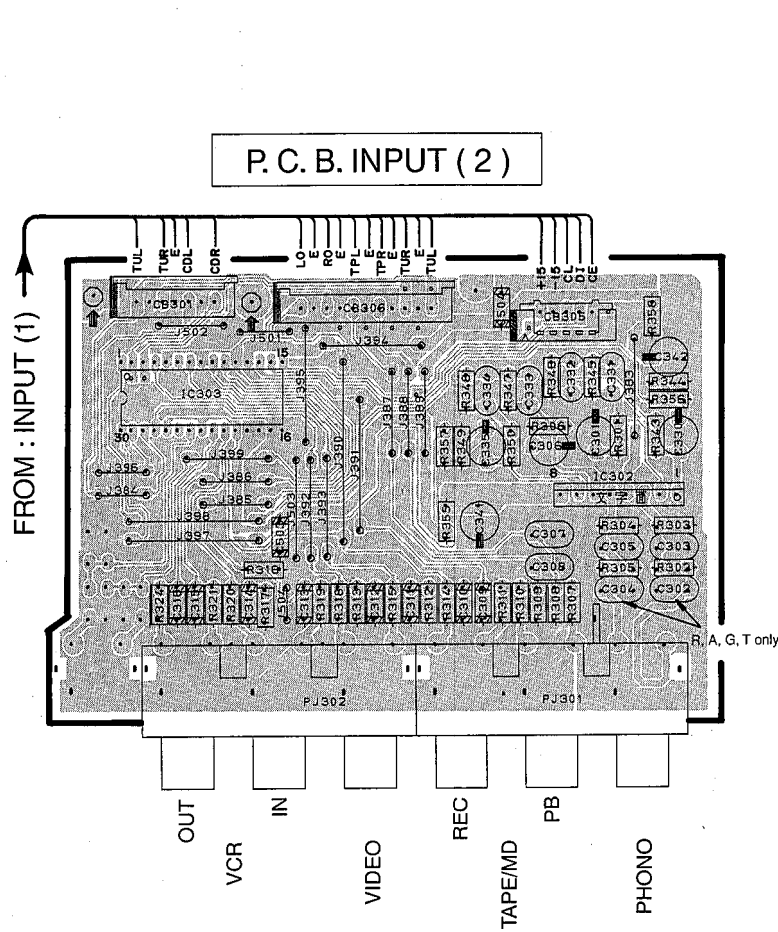


Point ④ (Pin55 of IC16)
 V : 2V/div H : 50 nsec/div
 DC range 1 : 1 probe



RX-V393/R-V503 PRINTED CIRCUIT BOARD (Foil side)

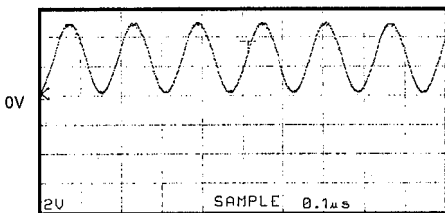
RX-V393/R-V503/RX-V493/R-V703



RX-V393/R-V503 PRINTED CIRCUIT BOARD (Foil side)

P. C. B. OPERATION (1)

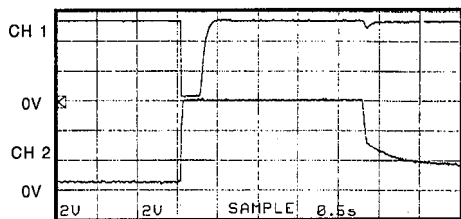
Point ⑤ (Pin31 of IC4)
 V : 2V/div H : 0.1 μsec/div
 DC range 1 : 1 probe



Point ⑥

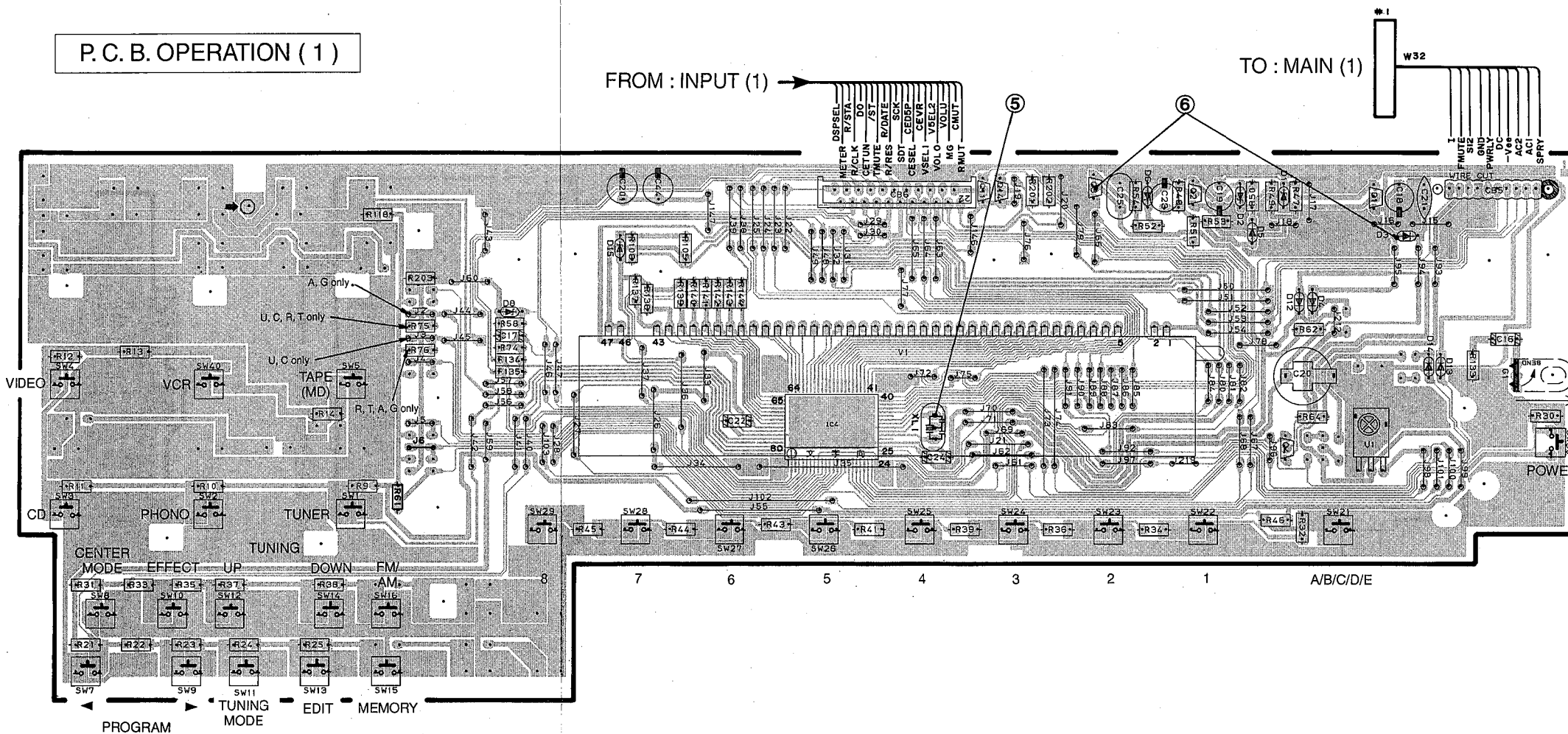
CH1 : Collector of Q3 V : 2V/div (CH1)
 CH2 : Anode of D3 V : 2V/div (CH2)

H : 0.5 sec/div DC range 1 : 1 probe
 (This waveform is not available by pushing the power switch ON and OFF.)

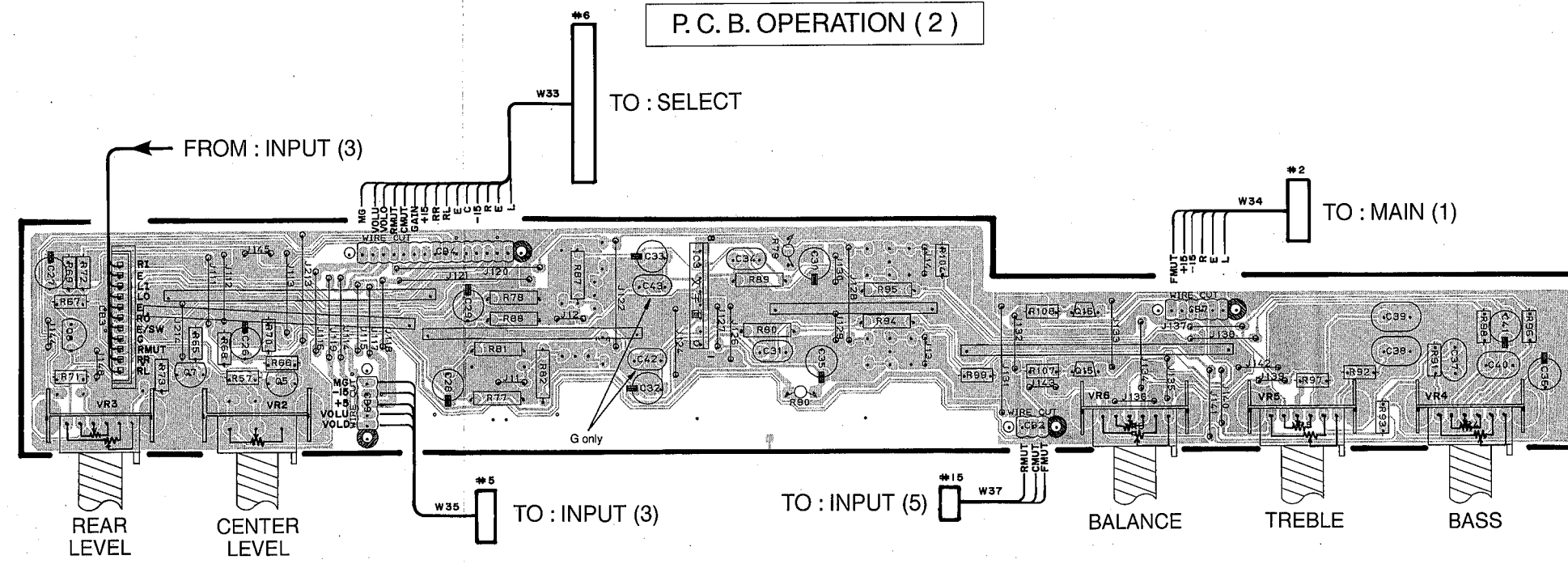


With the POWER ON, disconnect the A/C power cord. Reconnect the A/C power cord and the above waveforms will start.

Disconnect the power cord from the AC outlet.



P. C. B. OPERATION (2)

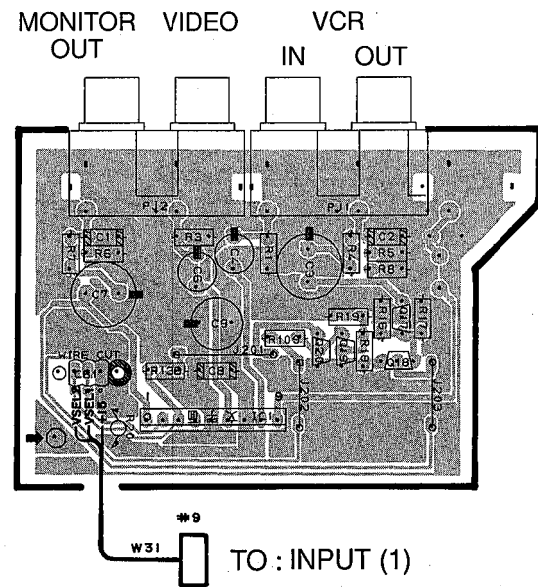


1
2
3
4
5
6

■ RX-V393/R-V503 PRINTED CIRCUIT BOARD (Foil side)

1

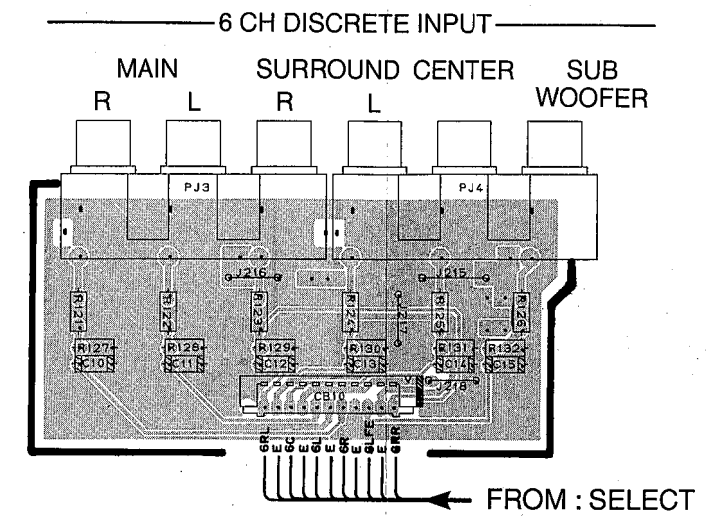
P. C. B. OPERATION (3)



2

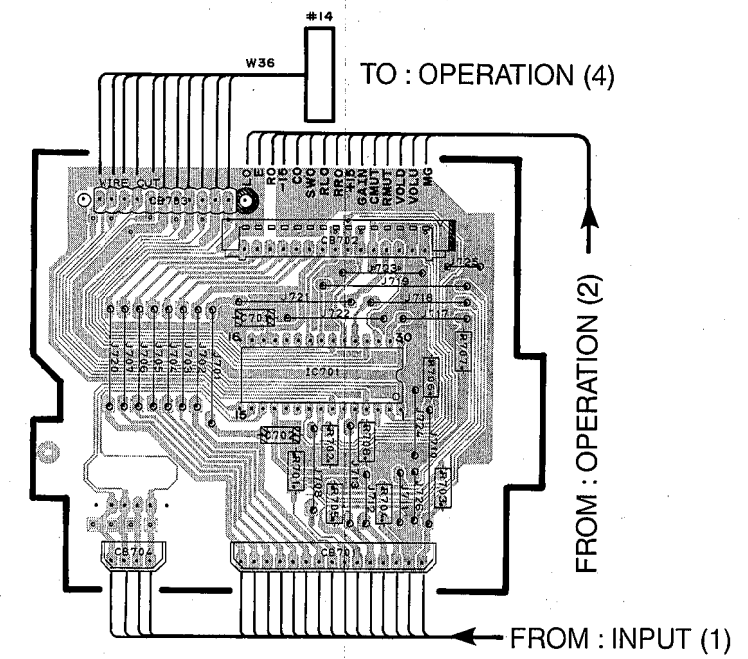
3

P. C. B. OPERATION (4)



4

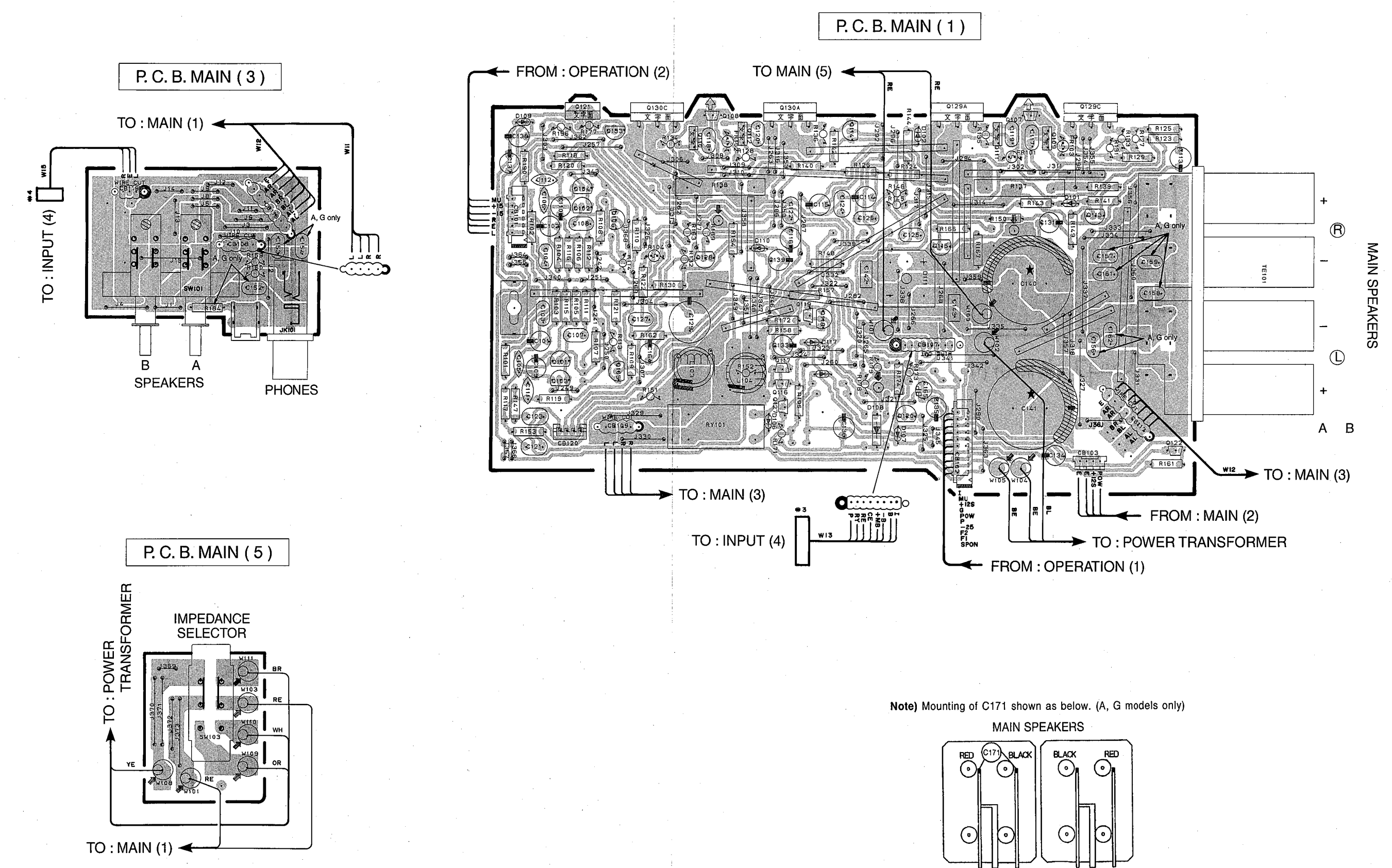
P. C. B. SELECT



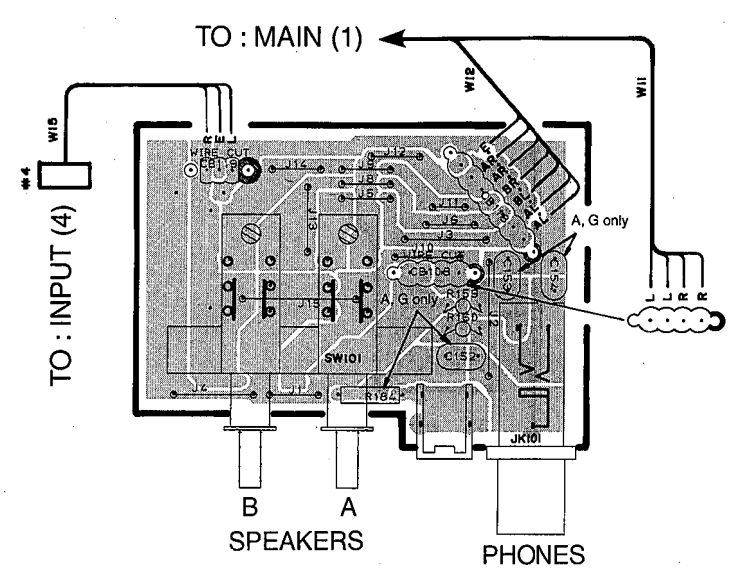
5

6

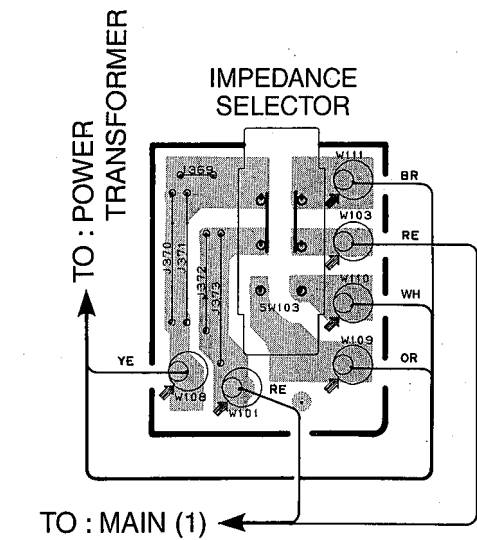
■ RX-V393/R-V503 PRINTED CIRCUIT BOARD (Foil side)



P.C.B. MAIN (3)

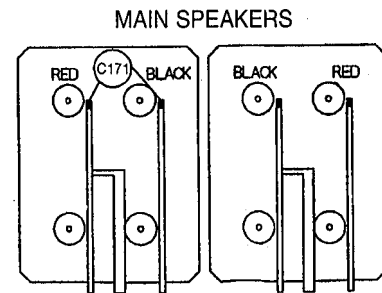


P.C.B. MAIN (5)



P.C.B. MAIN (1)

Note) Mounting of C171 shown as below. (A, G models only)

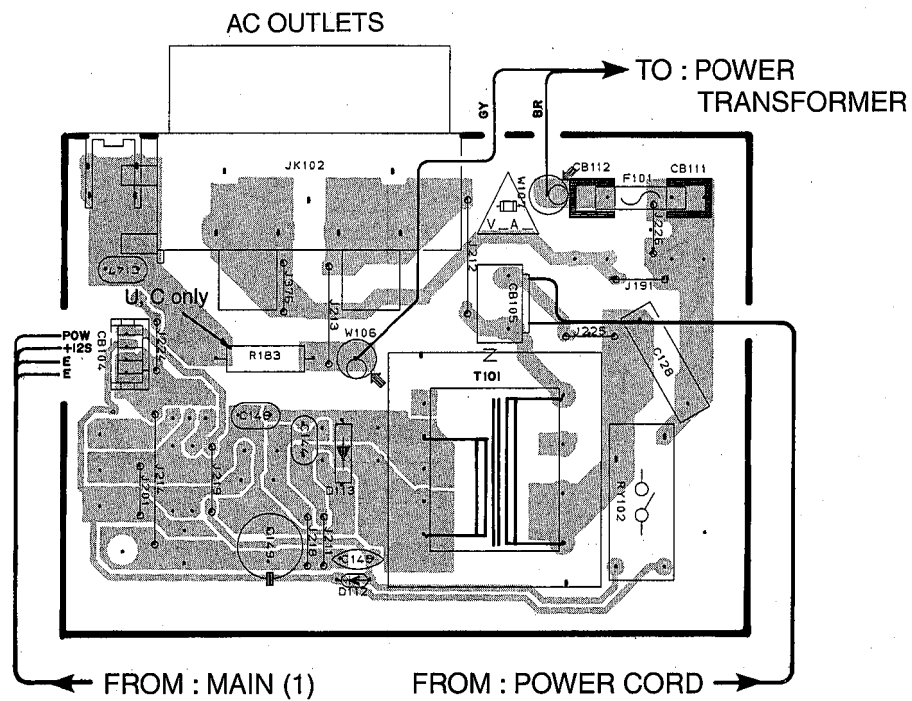


1
2
3
4
5
6

■ RX-V393/R-V503 PRINTED CIRCUIT BOARD (Foil side)

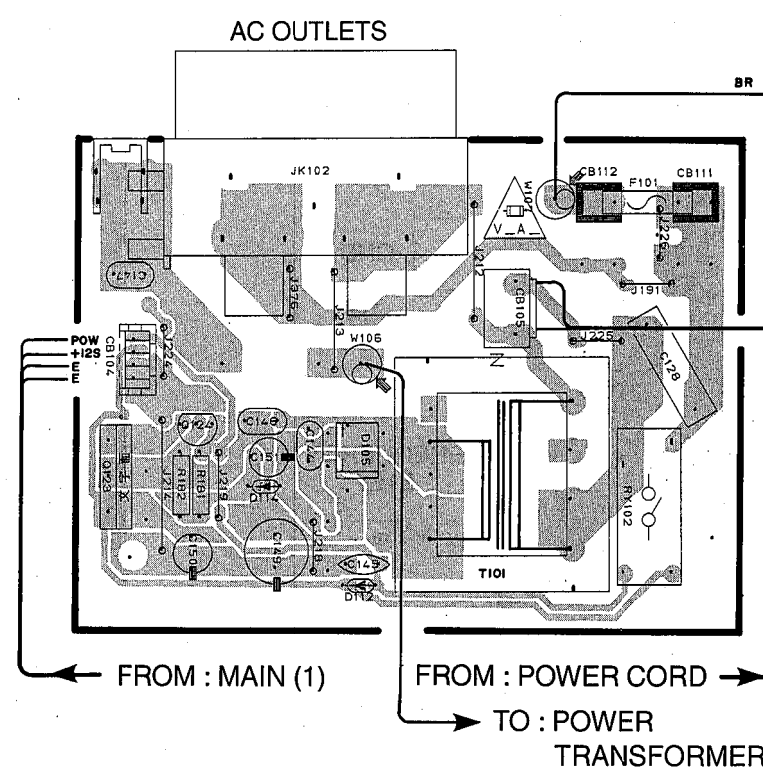
● J, U, C, A models

P. C. B. MAIN (2)

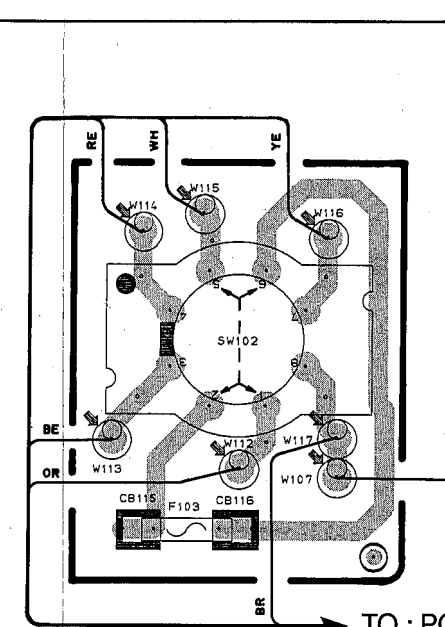


● R, T models

P. C. B. MAIN (2)



P. C. B. MAIN (4)

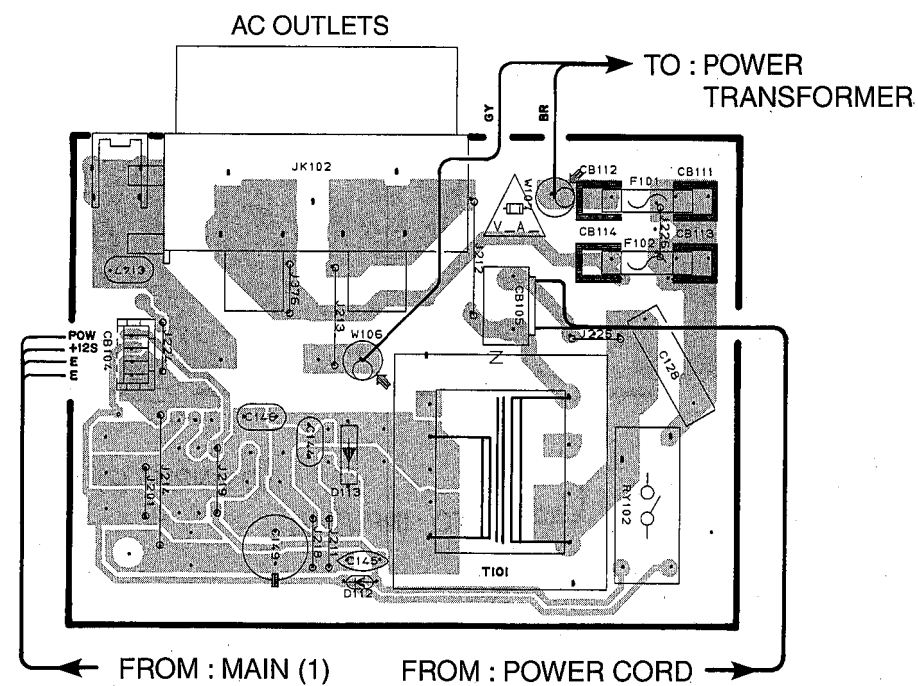


VOLTAGE SELECTOR

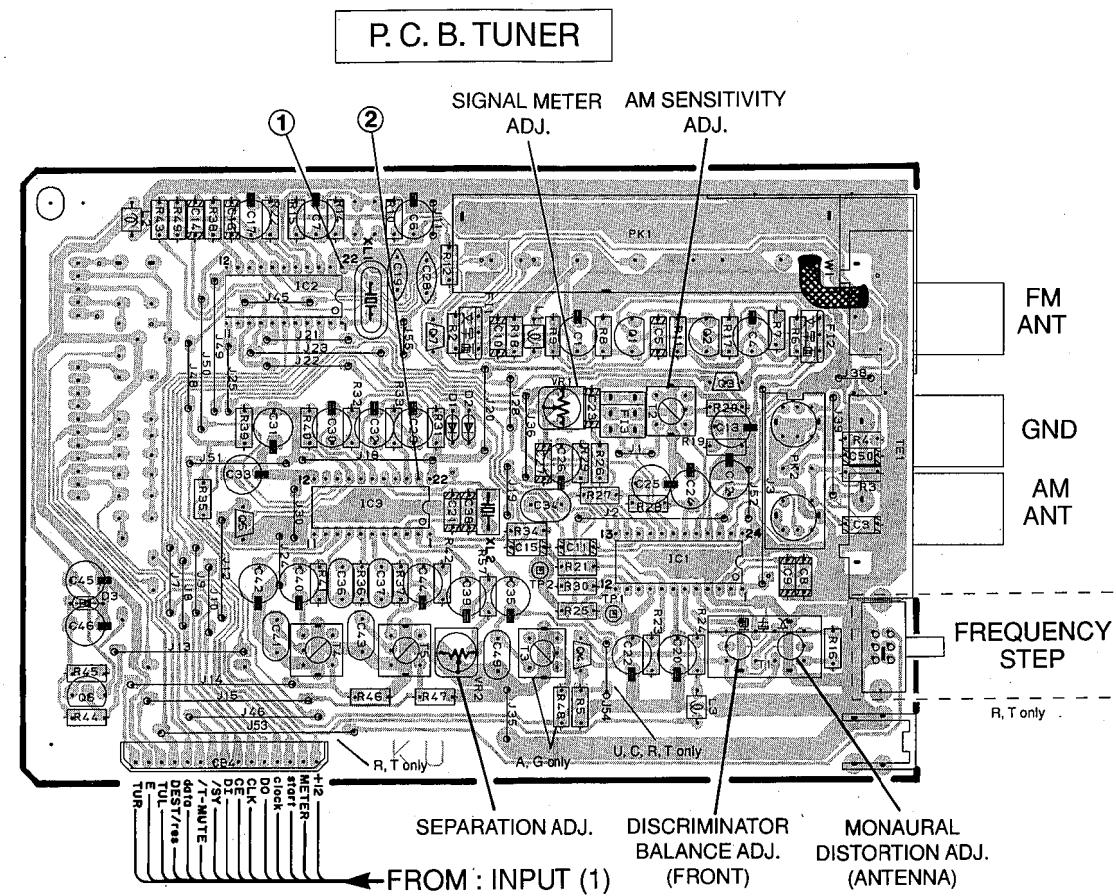
240V	1-2/5-6
220V	2-3/6-7
110V	3-4/7-8
120V	4-5/8-1

● G model

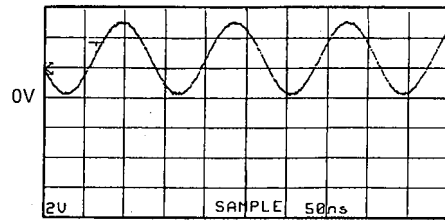
P. C. B. MAIN (2)



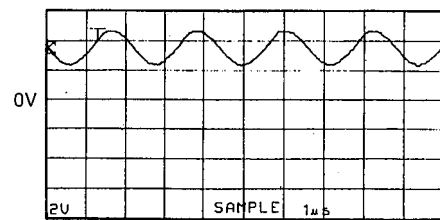
■ RX-V493/R-V703 PRINTED CIRCUIT BOARD (Foil side)



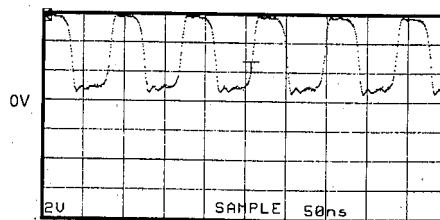
Point ① (Pin22 of IC2) FM reception
 V : 2V/div H : 50nsec/div
 DC range 1 : 1 probe



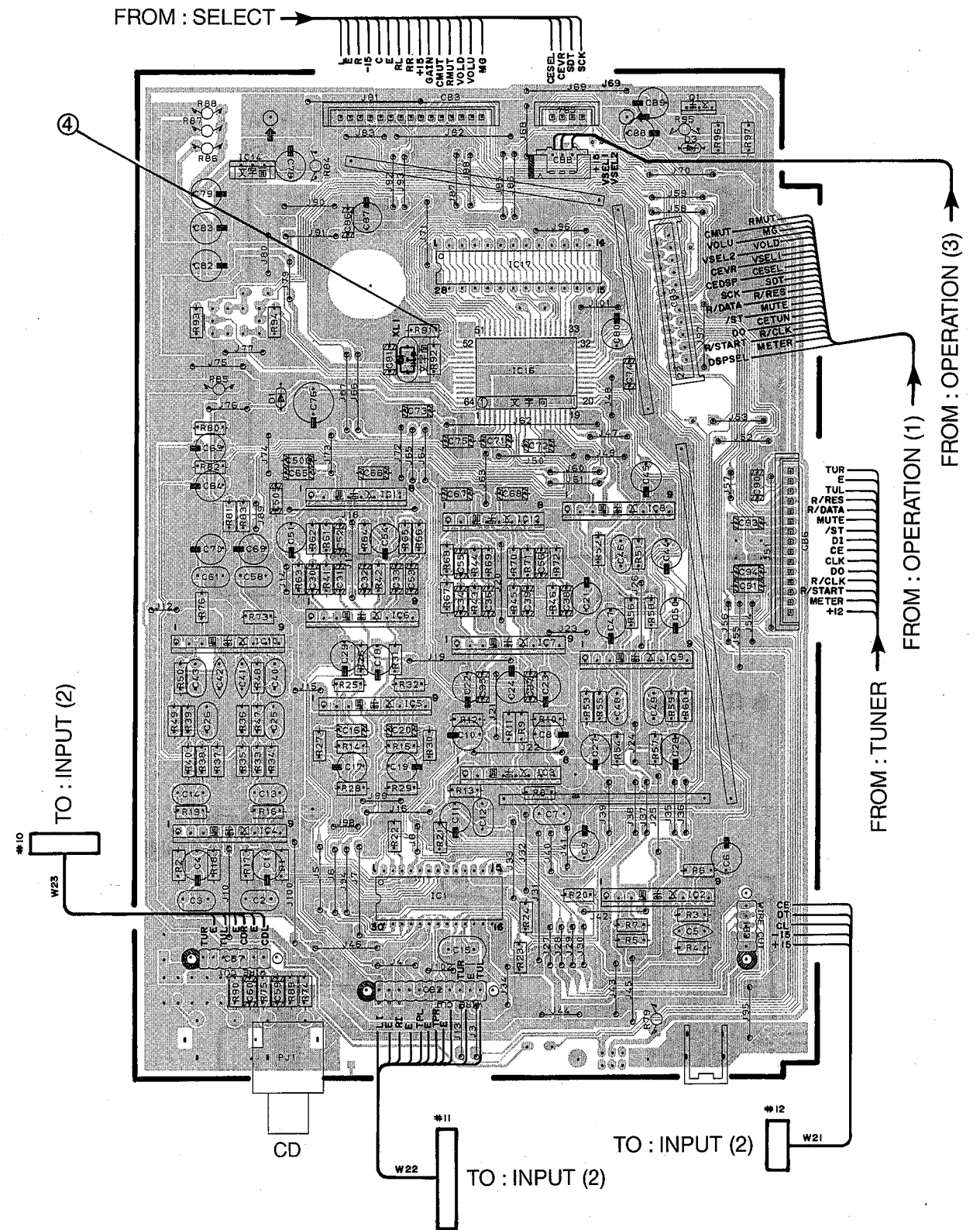
Point ② (Pin21 of IC3)
 V : 2V/div H : 1μsec/div
 DC range 1 : 1 probe



Point ④ (Pin55 of IC16)
 V : 2V/div H : 50 nsec/div
 DC range 1 : 1 probe

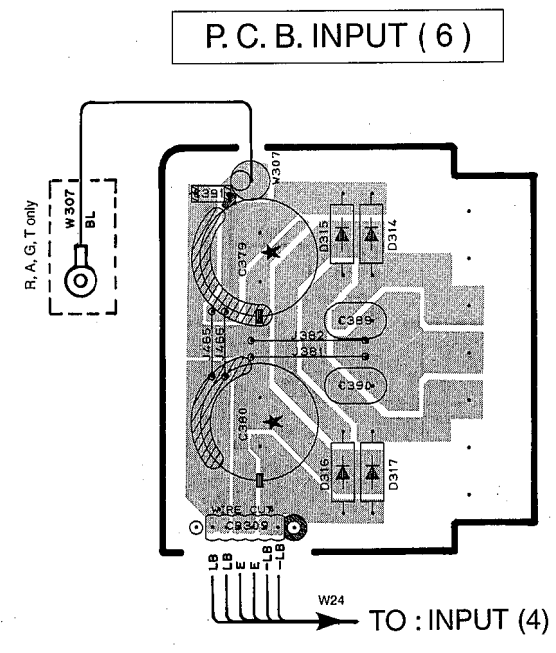
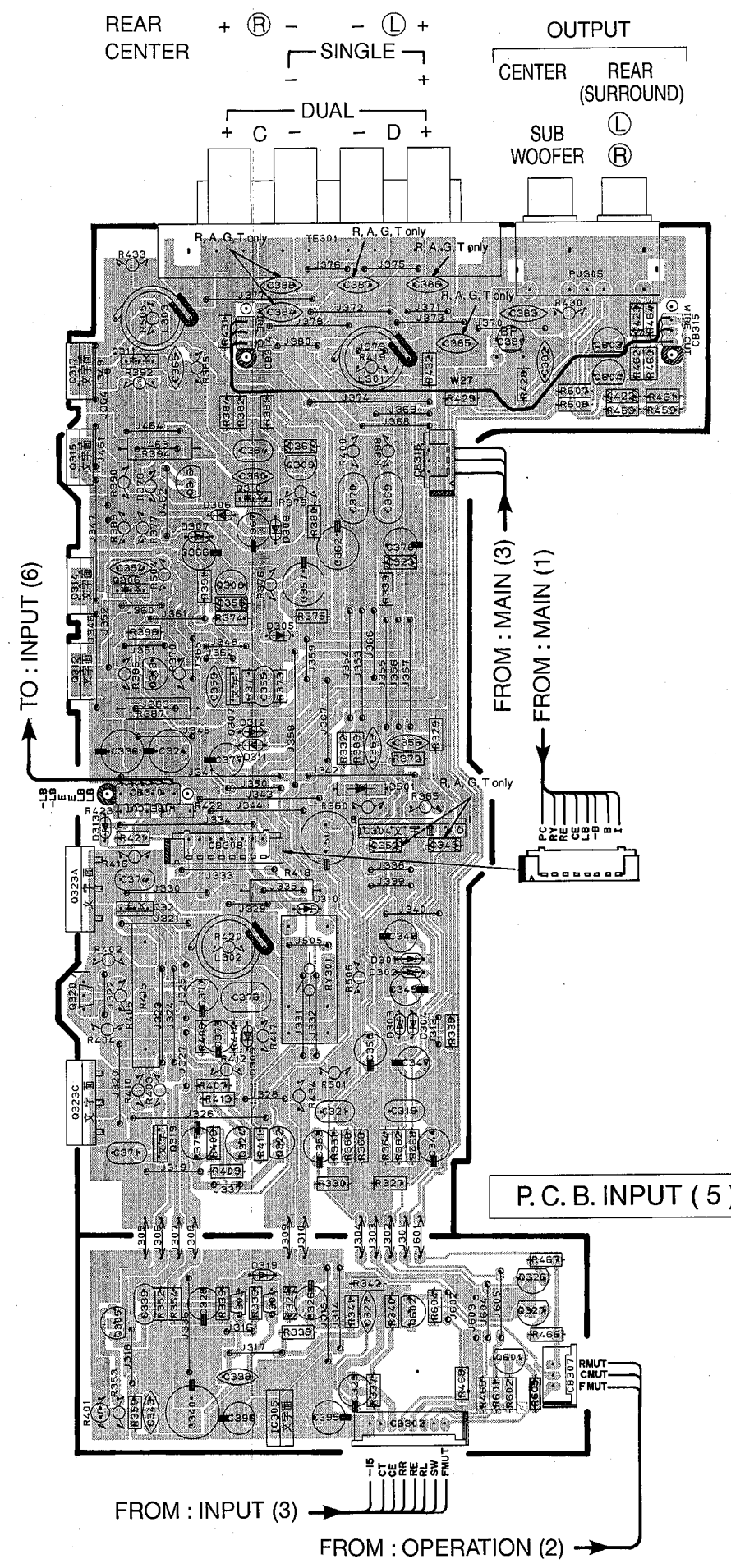
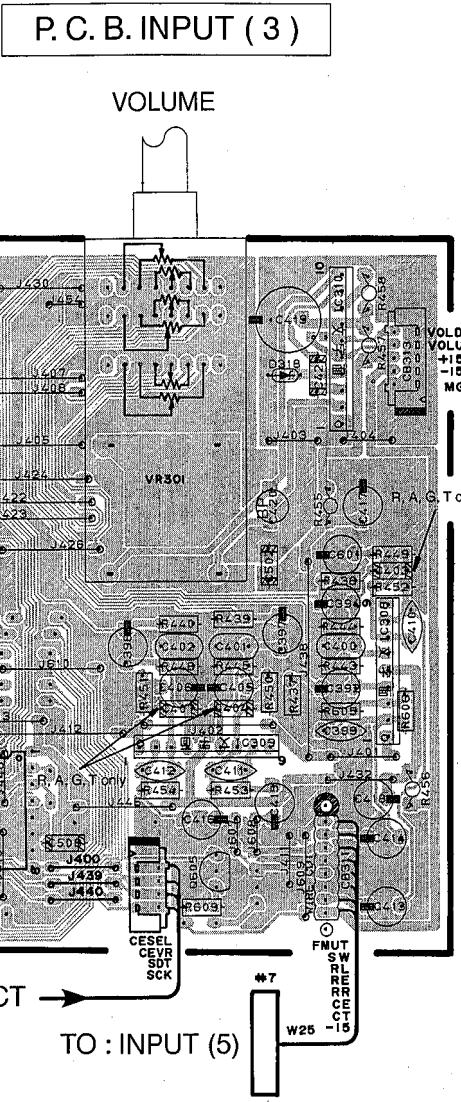
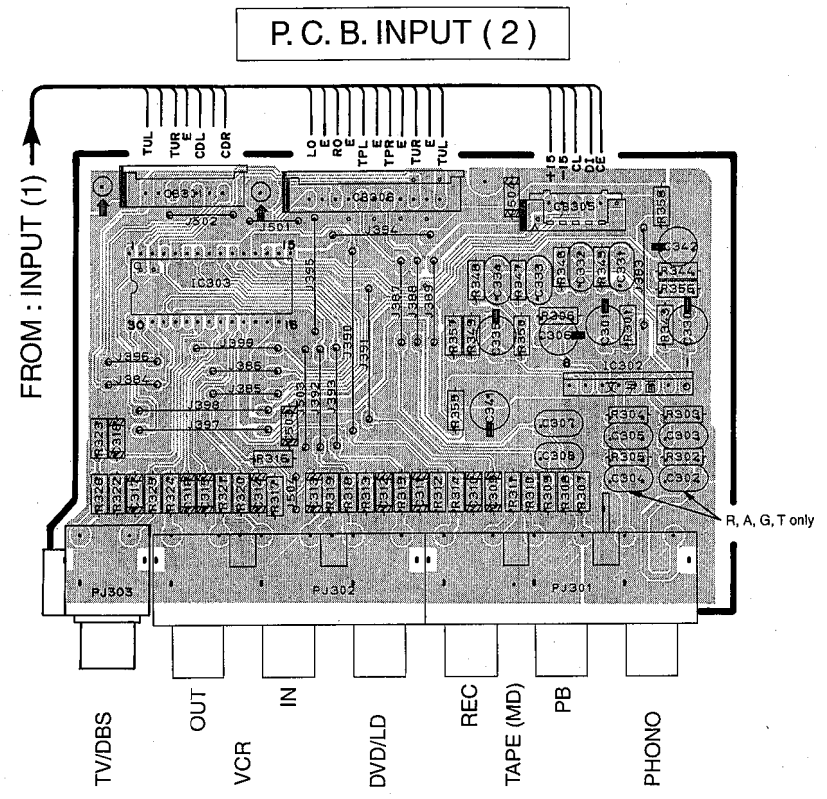


P. C. B. INPUT (1)



RX-V493/R-V703 PRINTED CIRCUIT BOARD (Foil side)

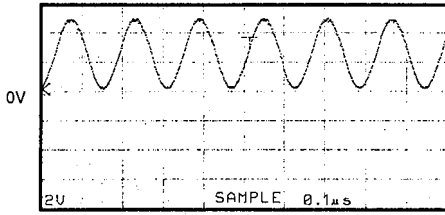
1
2
3
4
5
6



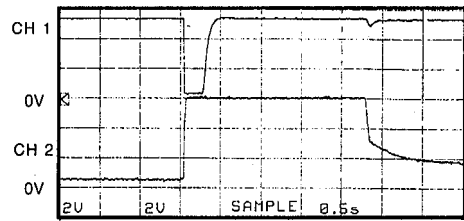
RX-V493/R-V703 PRINTED CIRCUIT BOARD (Foil side)

P. C. B. OPERATION (1)

Point ⑤ (Pin31 of IC4)
 V : 2V/div H : 0.1 μsec/div
 DC range 1 : 1 probe

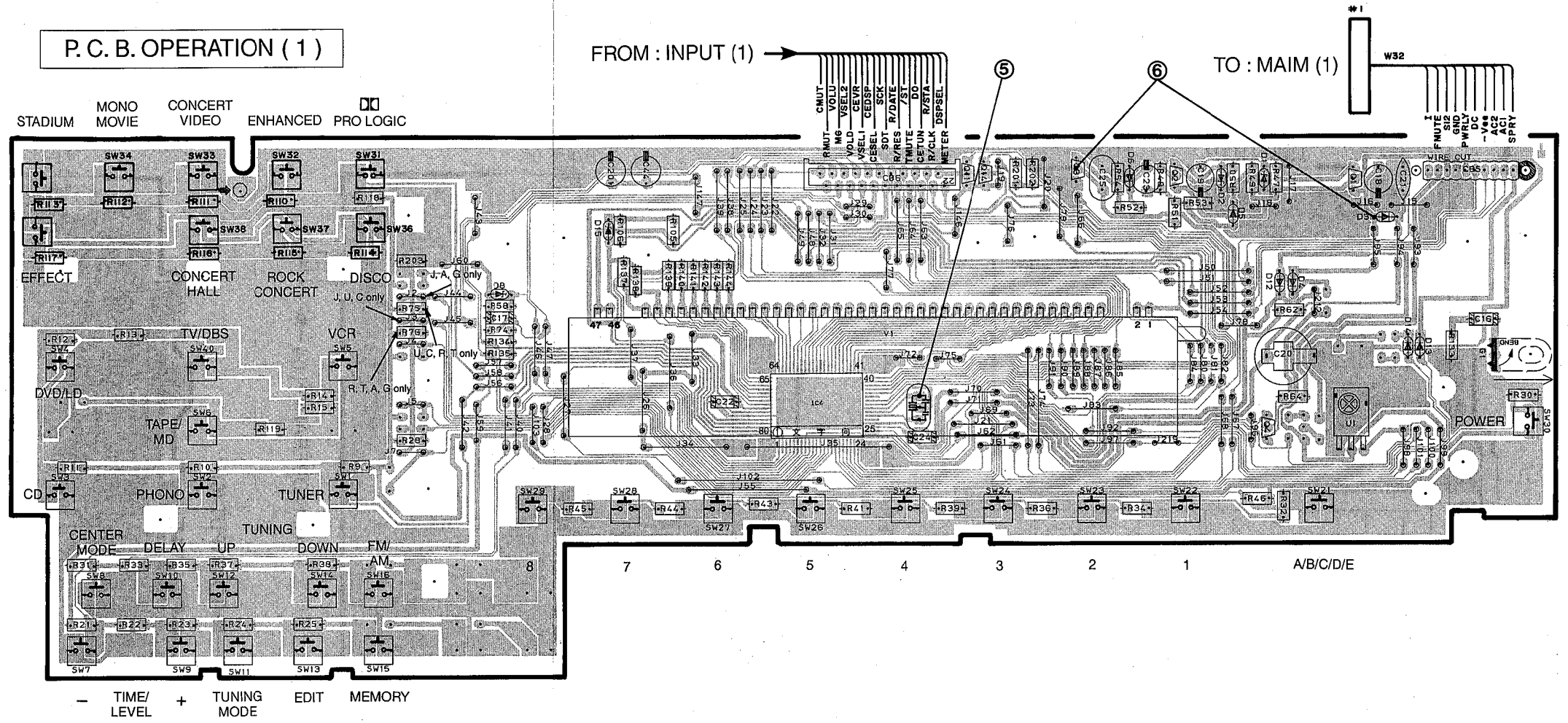


Point ⑥
 CH1 : Collector of Q3 V : 2V/div (CH1)
 CH2 : Anode of D3 V : 2V/div (CH2)
 H : 0.5 sec/div DC range 1 : 1 probe
 (This waveform is not available by pushing the power switch ON and OFF.)

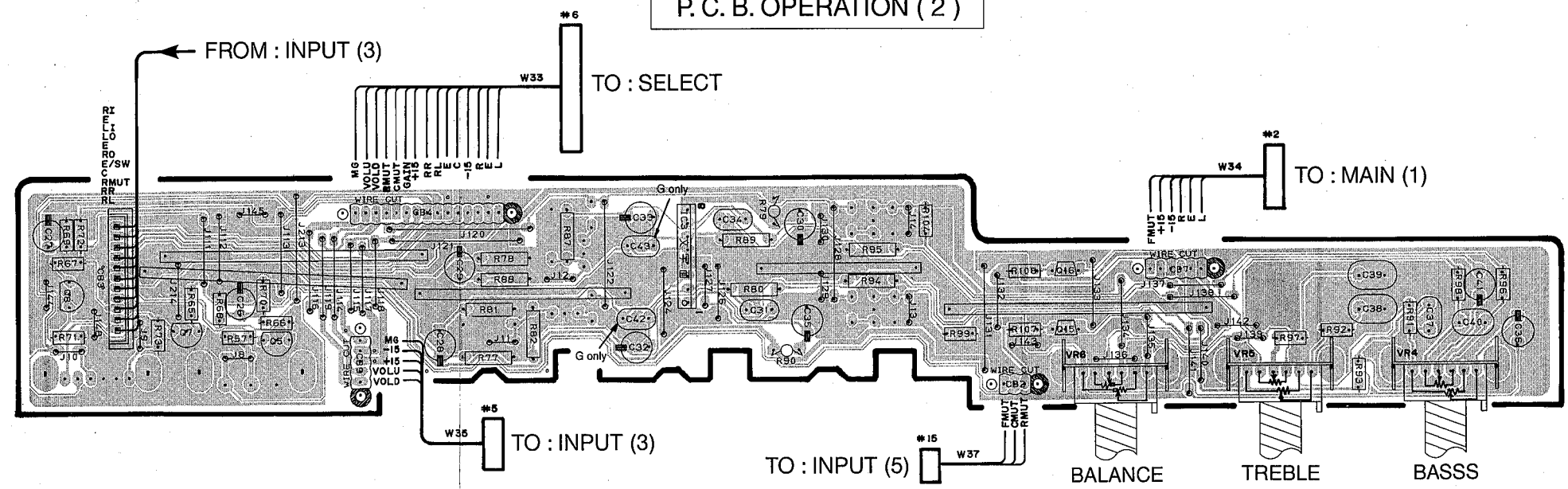


With the POWER ON, disconnect the A/C power cord. Reconnect the A/C power cord and the above waveforms will start.

↑ Disconnect the power cord from the AC outlet.



P. C. B. OPERATION (2)



1

2

3

4

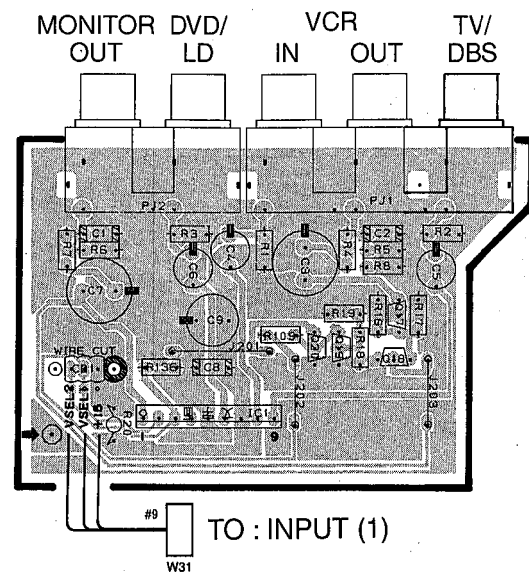
5

6

■ RX-V493/R-V703 PRINTED CIRCUIT BOARD (Foil side)

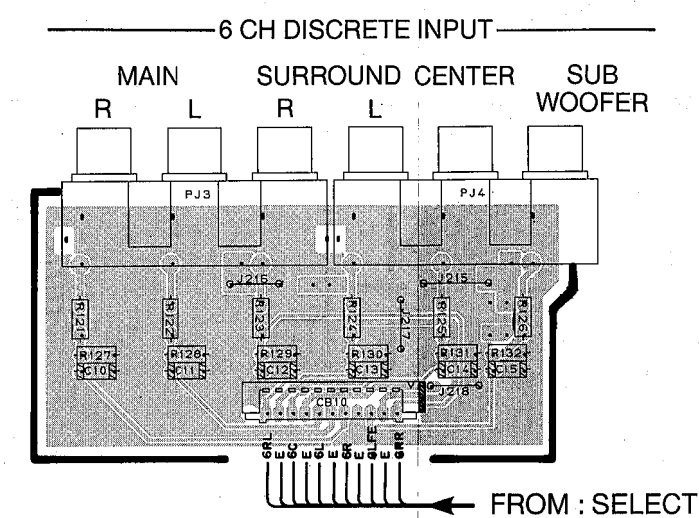
1

P. C. B. OPERATION (3)



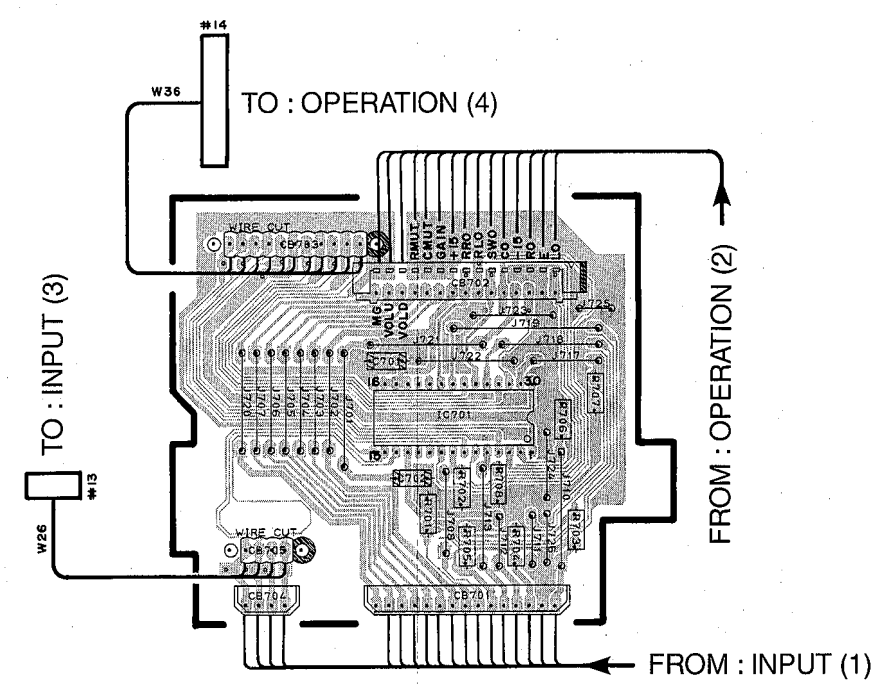
2

P. C. B. OPERATION (4)



3

P. C. B. SELECT

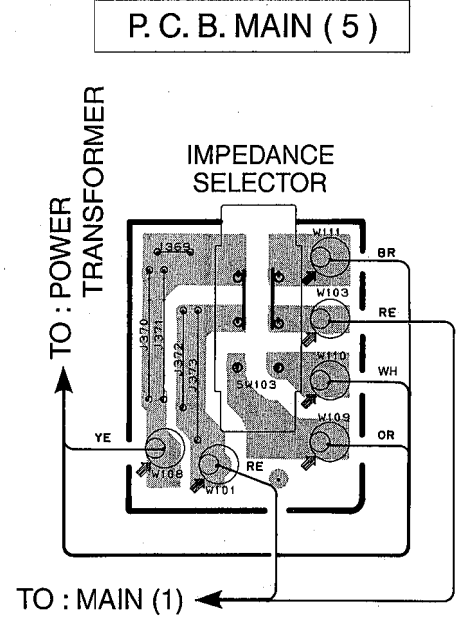
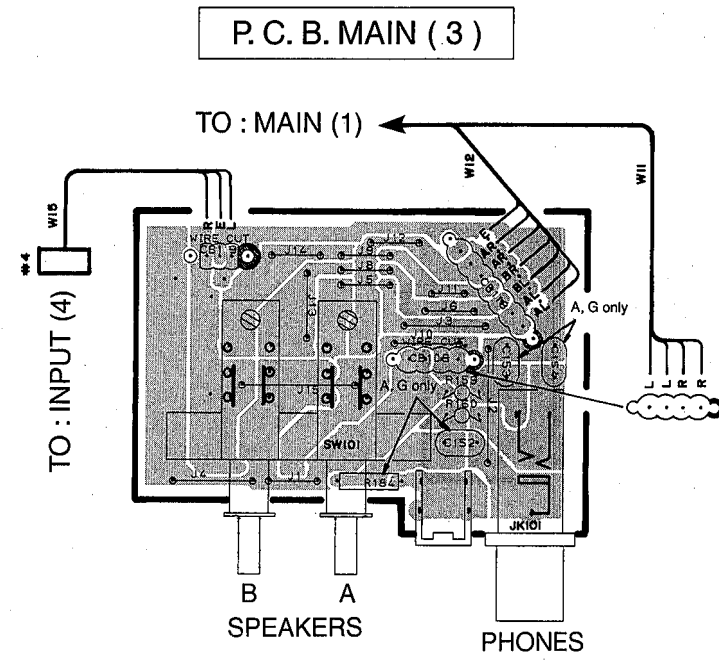
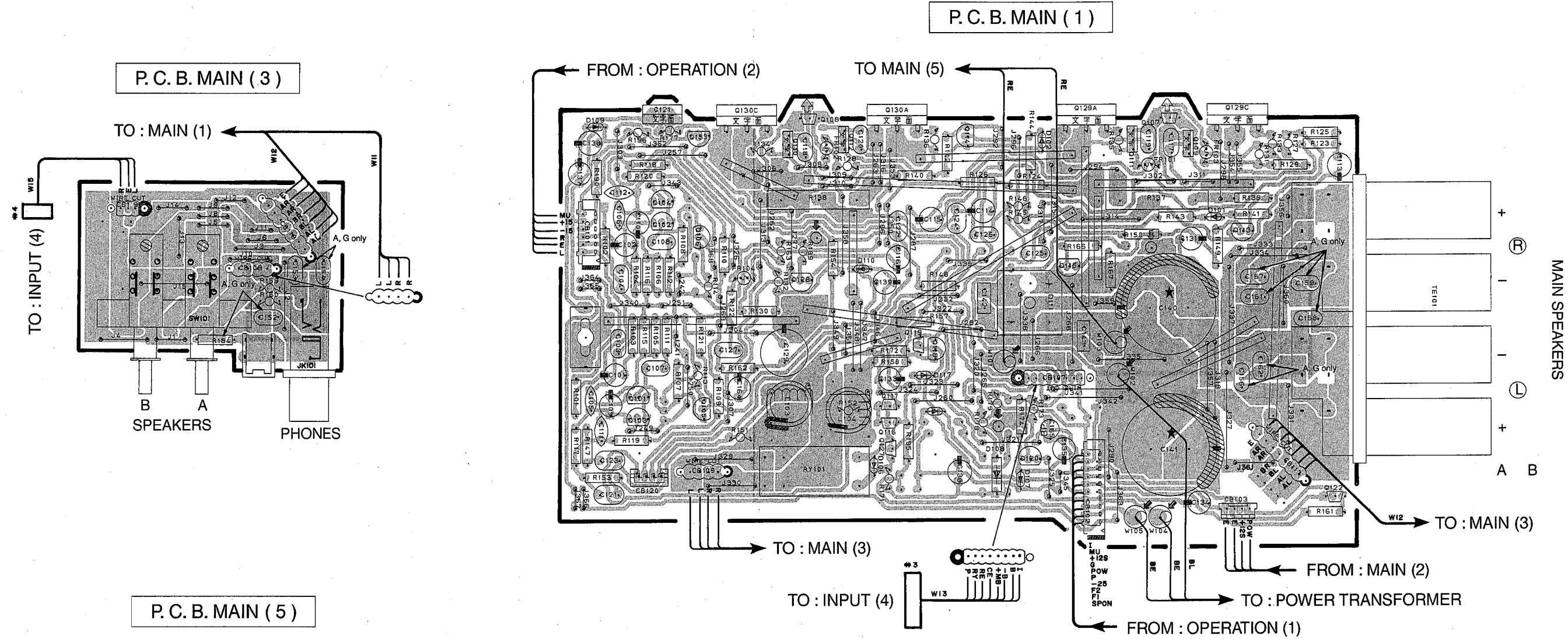


4

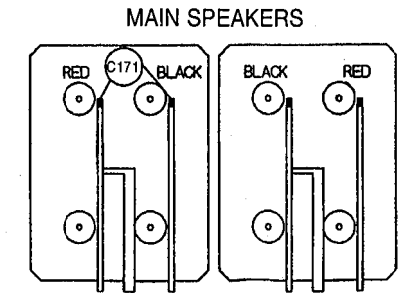
5

6

■ RX-V493/R-V703 PRINTED CIRCUIT BOARD (Foil side)



Note) Mounting of C171 shown as below. (A, G models only)



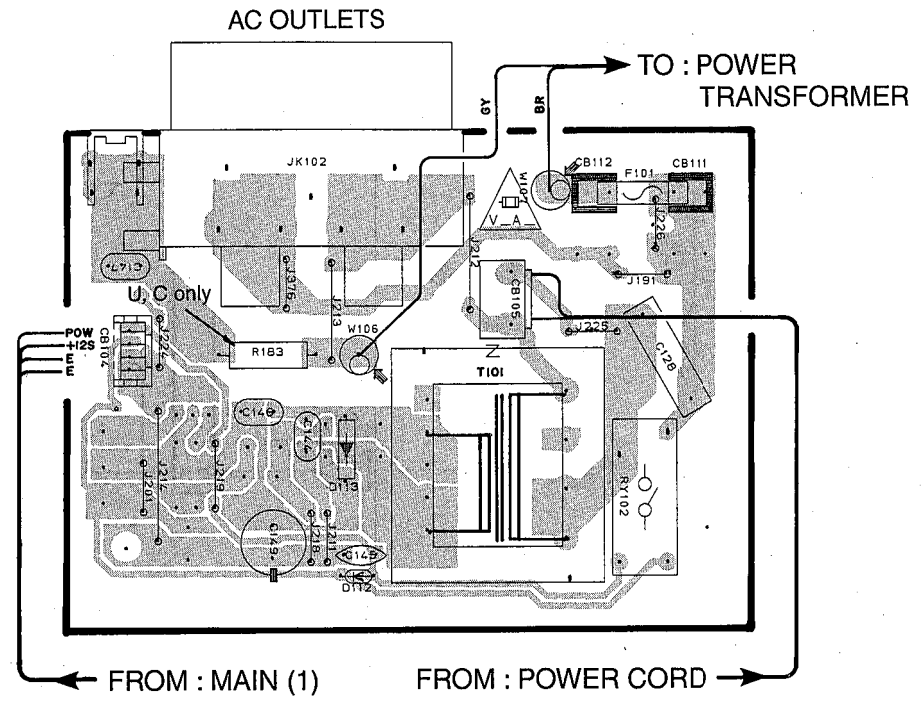
1
2
3
4
5
6

■ RX-V493/R-V703 PRINTED CIRCUIT BOARD (Foil side)

1

● J, U, C, A models

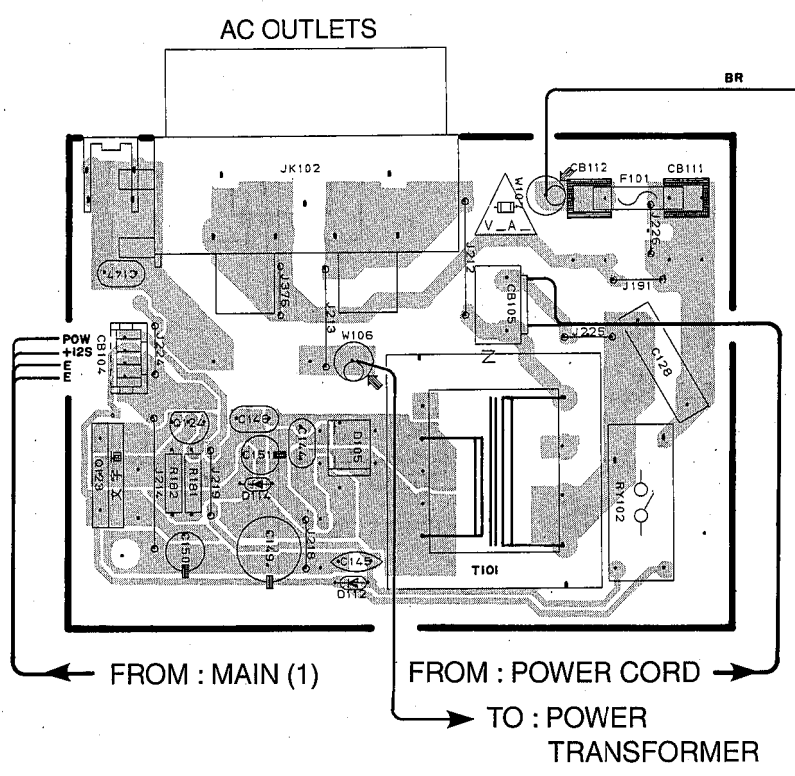
P. C. B. MAIN (2)



2

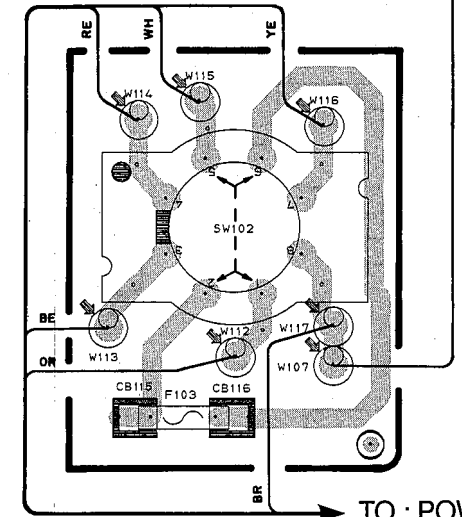
● R, T models

P. C. B. MAIN (2)



3

P. C. B. MAIN (4)



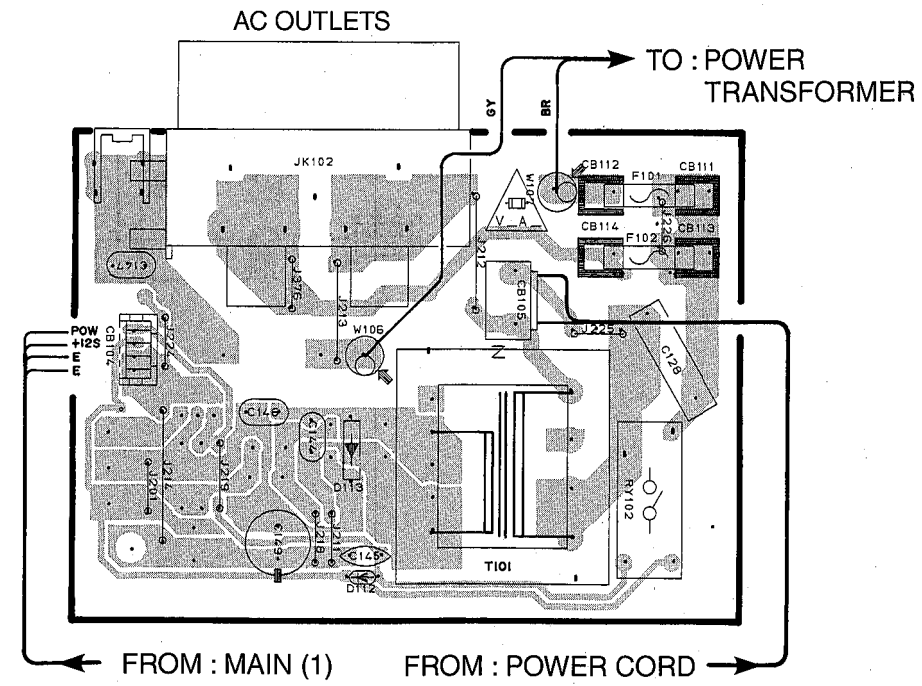
VOLTAGE SELECTOR

240V	1-2/5-6
220V	2-3/6-7
110V	3-4/7-8
120V	4-5/8-1

4

● G model

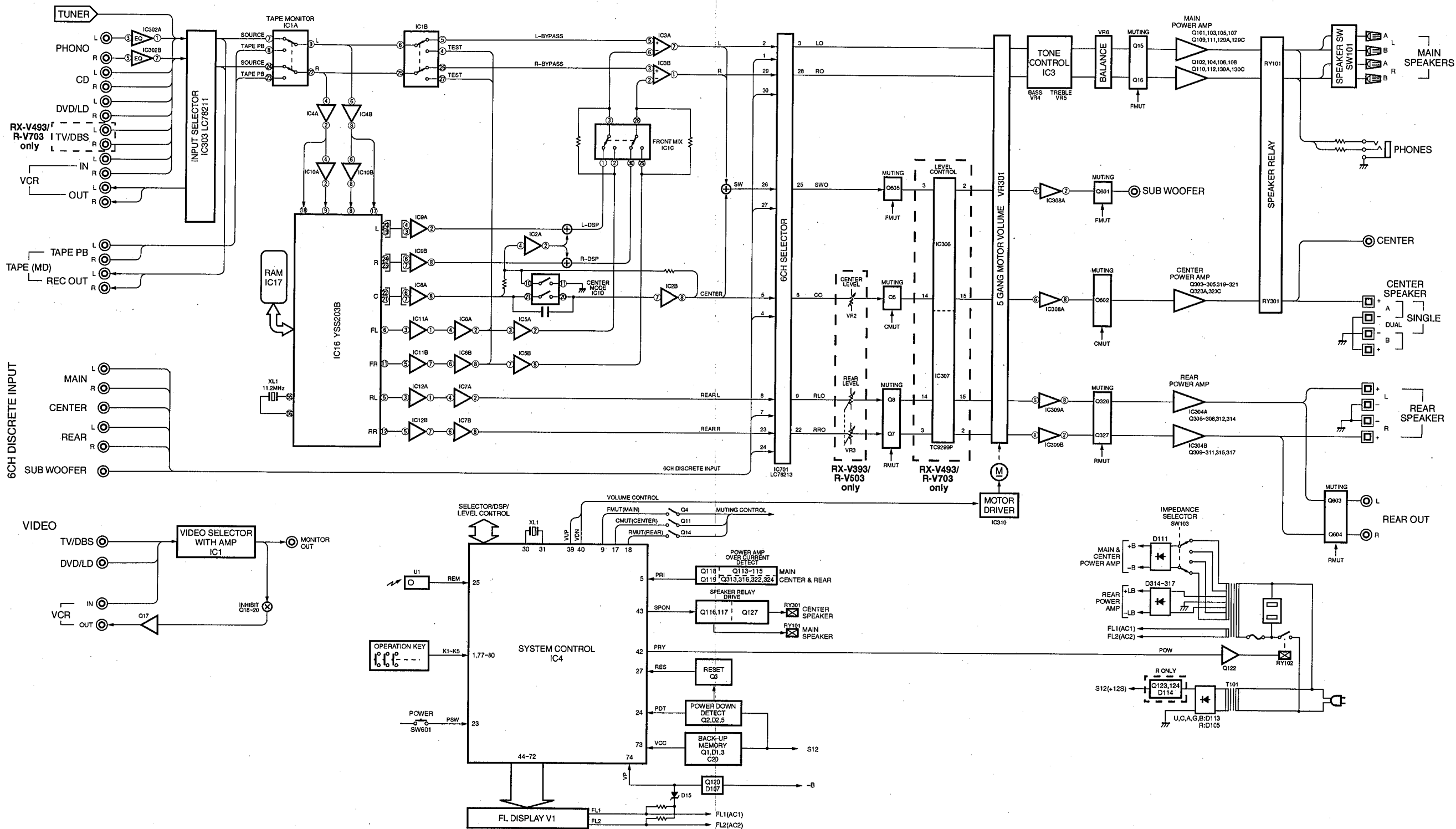
P. C. B. MAIN (2)



5

6

BLOCK DIAGRAM



1

BLOCK DIAGRAM

2

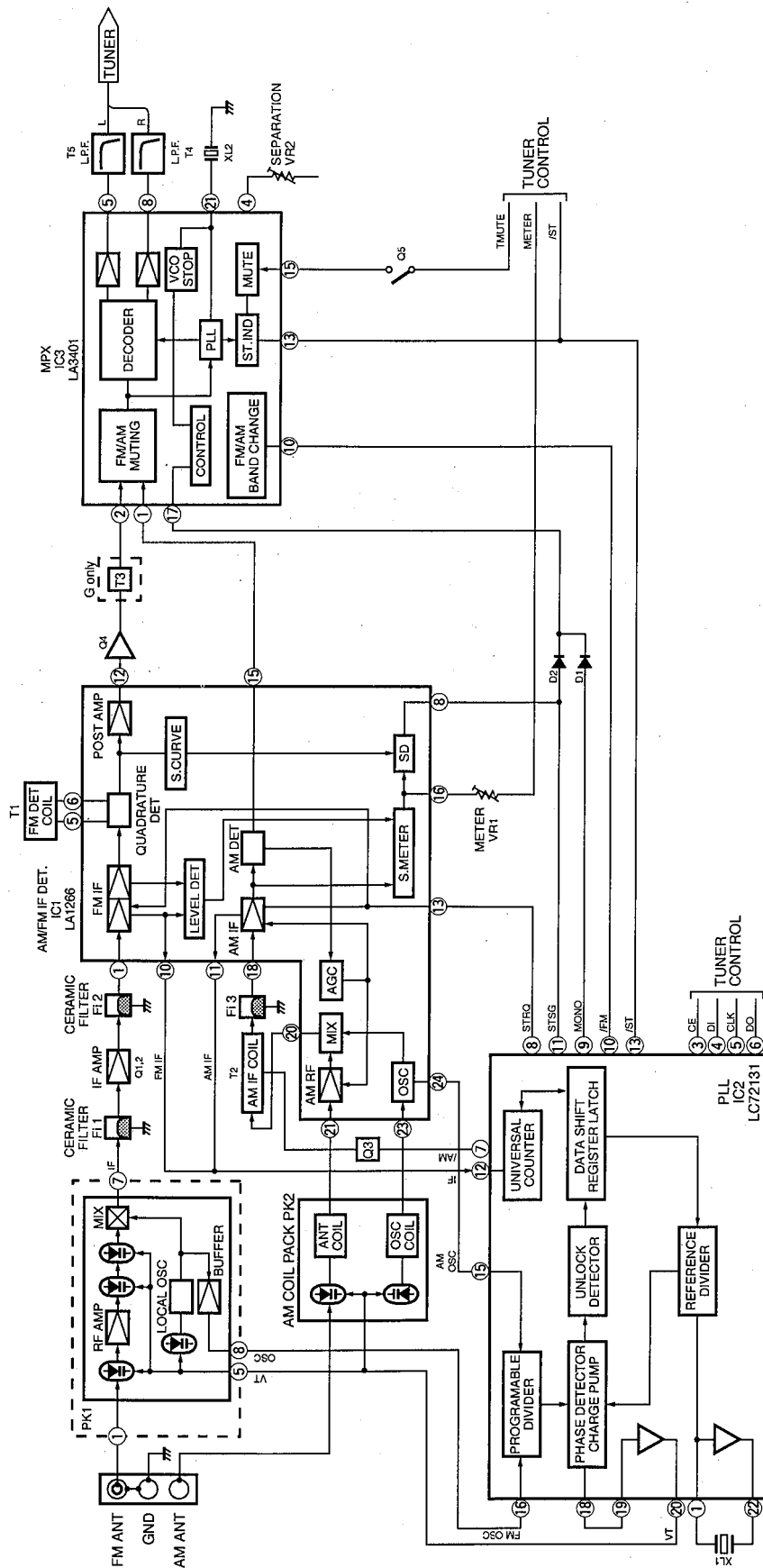
3

4

5

6

7



PIN CONNECTION DIAGRAM

● ICs

<p>AN78N05</p> <p>1:INPUT 2:COMMON 3:OUTPUT</p>	<p>M5220L</p>	<p>μPC4570HA</p>	<p>LB1641</p>
<p>NJM79M15FA</p> <p>1:COMMON 2:INPUT 3:OUTPUT</p>	<p>NJM2068L-D NJM4558L-D</p>	<p>LA7956</p>	<p>TC9299P</p>
<p>STK311-020B</p>	<p>LC78213 LC78211</p>		
<p>LA3401 LC72131</p>	<p>YSS203B</p>		
<p>LA1266</p>	<p>M38172M4-192FP</p>		
<p>LH5P832D-10</p>			

● Diodes

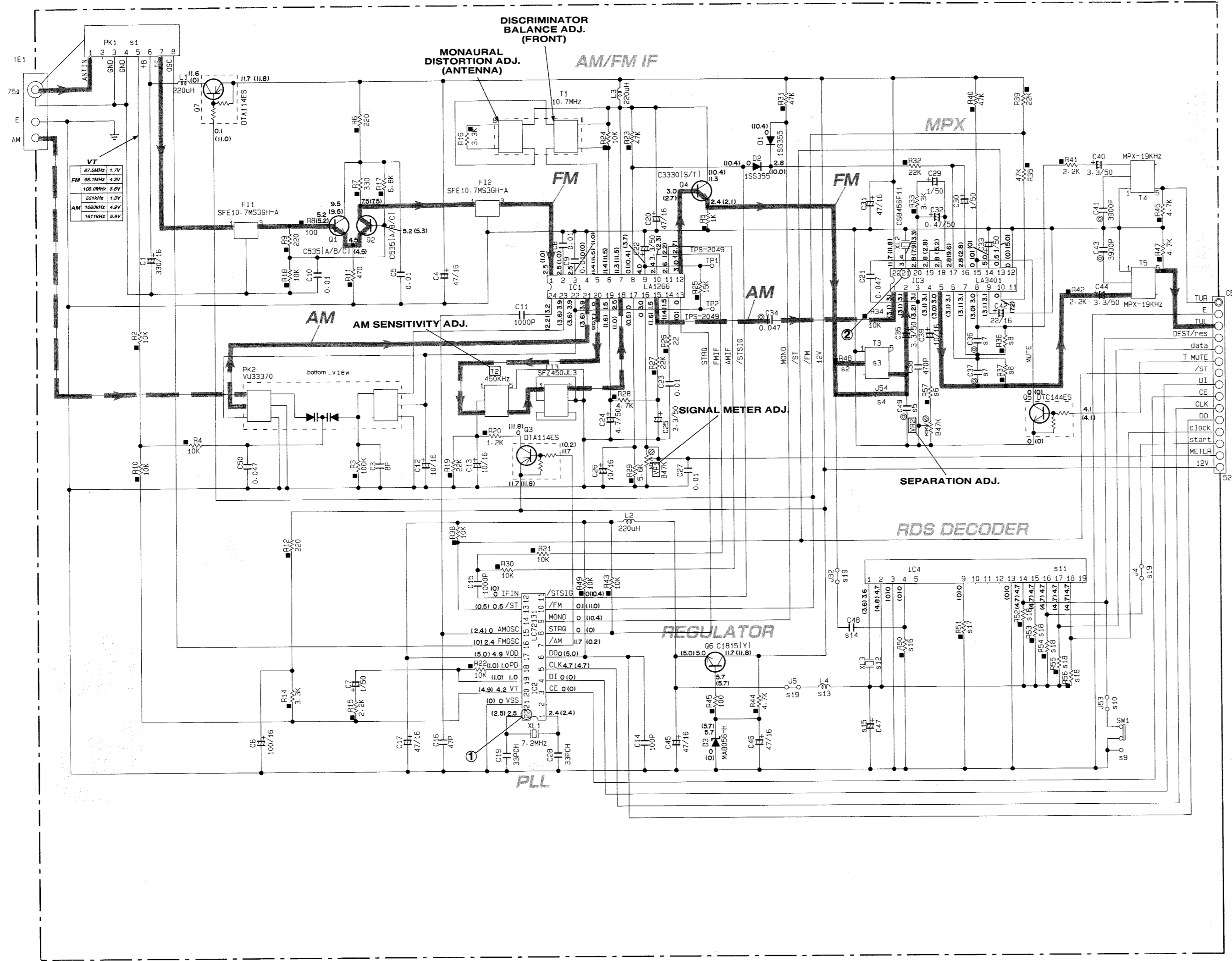
<p>1SS133 1SS355 1SS270A 1T2 2A02M</p> <p>Anode Cathode</p>	<p>HZS5C2TD HZS5B2TD HZS6A2TD HZS7A2TD HZS12B2TD HZS12A2TD HZS152TD HZS242TD MA8056-H</p>
<p>S1NB20</p>	
<p>S4VB20</p>	

● Transistors

<p>2SA933S (Q, R) 2SA1740S (R, S) 2SC3330 (S, T) 2SD1915F (S, T) DTA114ES DTC144ES</p> <p>B C E</p>	<p>2SA1708 (S, T) 2SC4488 (S, T)</p> <p>E C B</p>
<p>2SA893A (D, E) 2SA1015 (Y) 2SB647 (C, D)</p> <p>E C B</p>	<p>2SC535 (A, B, C) 2SC1815 (Y) 2SC1890A (D, E) 2SC1890E 2SC2229 (O, Y) 2SC2240 (GR, BL) 2SC2878 (A, B)</p>
<p>2SA1694 (O, P, Y) 2SC4467 (O, P, Y) 2SA1695 (O, P, Y) 2SC4468 (O, P, Y) 2SC4466 (O, P, Y)</p> <p>B C E</p>	<p>2SK30ATM (GR)</p> <p>S G D</p>
	<p>2SD856 (P, Q) 2SC4495</p> <p>B C E</p>

RX-V393/R-V503 SCHEMATIC DIAGRAM (TUNER)

Each voltage given here represents that in the FM (98.1MHz, STEREO) reception mode but the one in the parentheses () is measured in the AM (1080kHz, MAN'L) reception mode.



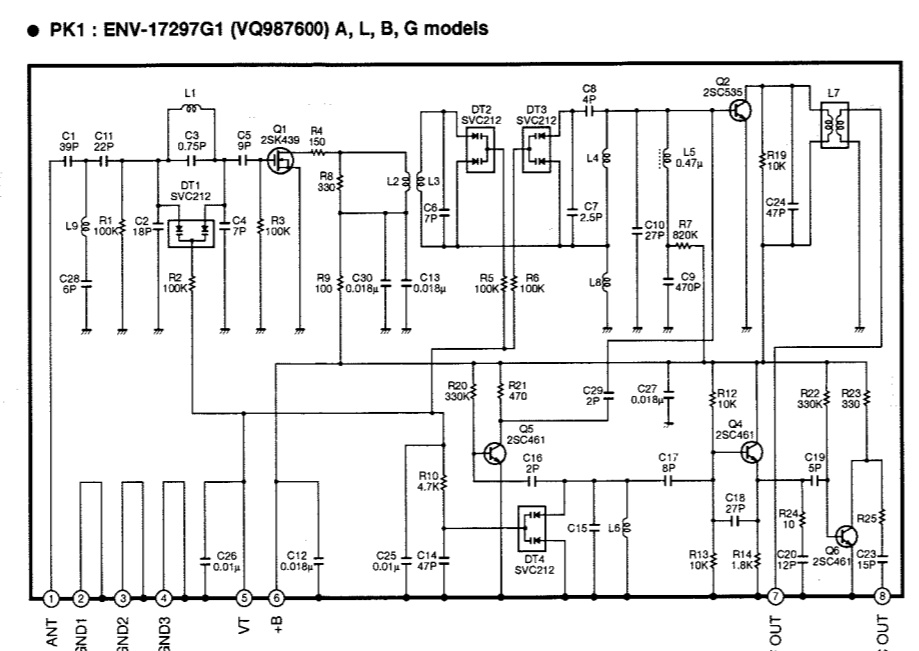
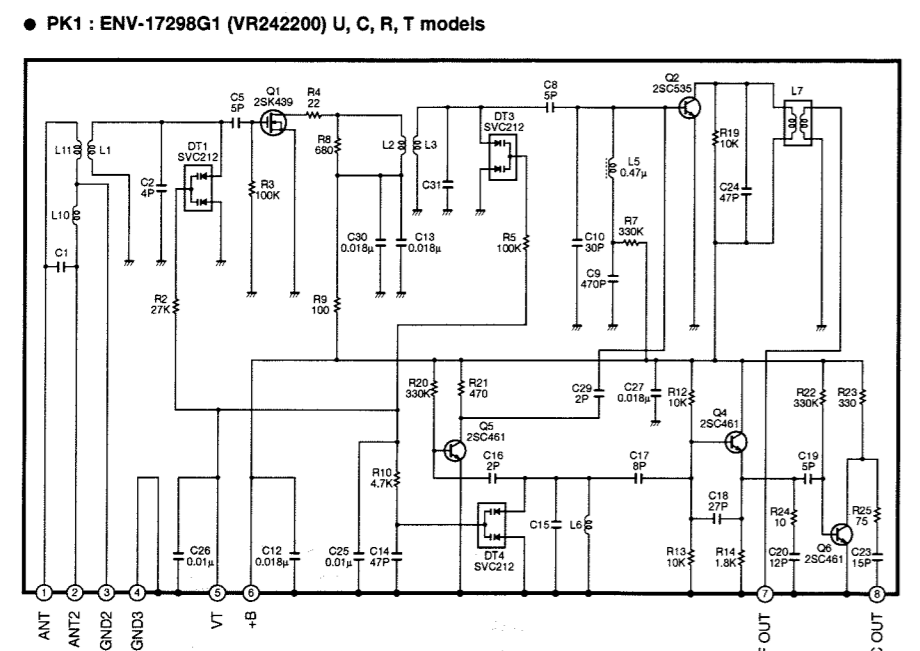
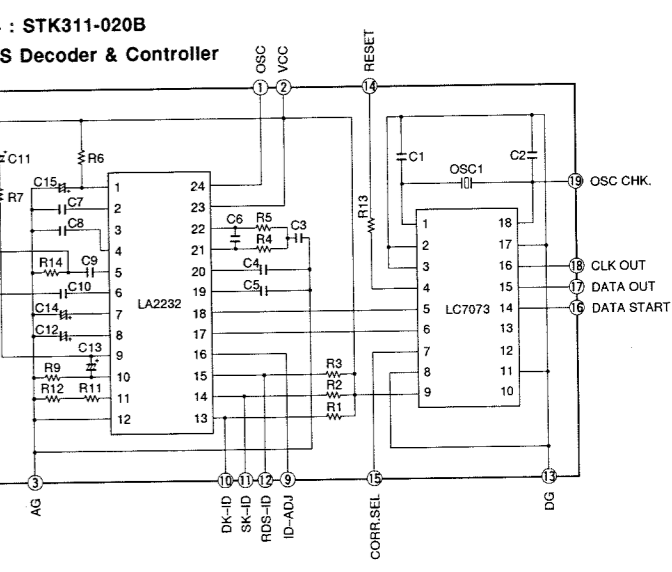
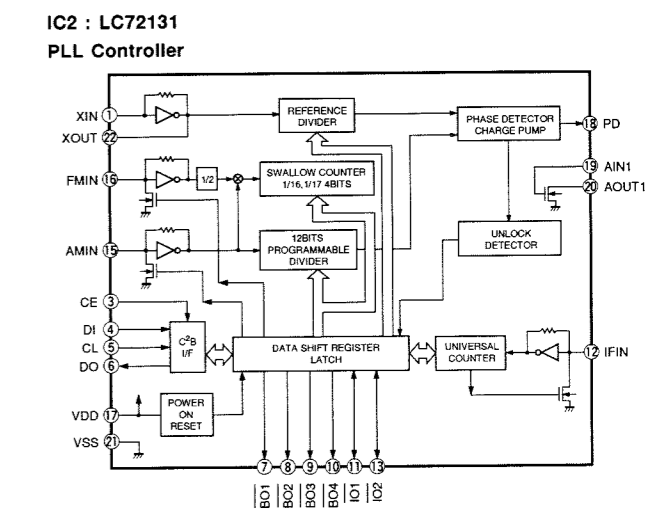
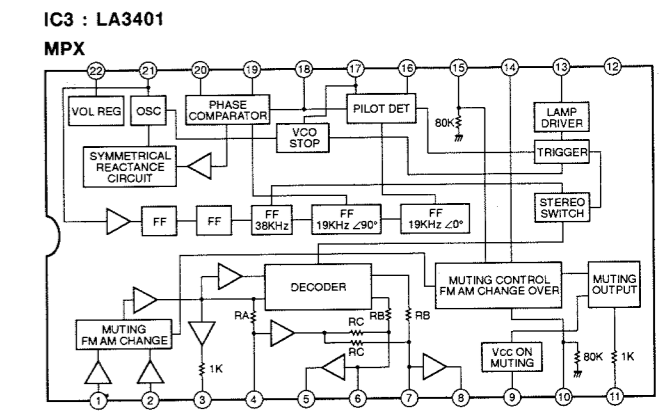
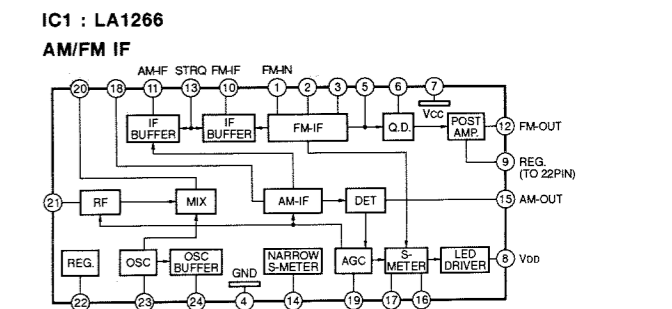
CIRCUIT CHANGES BY MARKET. NOT USED (square symbol), USED (circle symbol)

Table with columns for component types (PK1, R4B, T3, J54, R57, C36-37, R36-37, SW1, J53, IC3, XL3, L4, C48, C47, R50, R51, R52-56, J4.5-32) and their values for different markets (J, U-C, R, A-B-G-L, B-G/RDS).

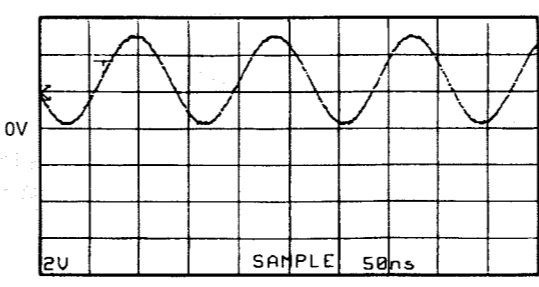
Capacitor legend table with columns for Remarks and Parts Name, listing various capacitor types like electrolytic, tantalum, ceramic, etc.

Resistor legend table with columns for Remarks and Parts Name, listing various resistor types like carbon film, metal oxide film, etc.

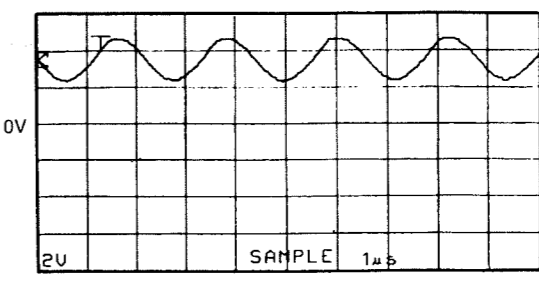
NOTICE (model) (J)..... JAPANESE (U)..... U.S.A (C)..... CANADIAN (R)..... GENERAL (A)..... AUSTRALIAN (B)..... BRITISH (G)..... EUROPEAN (T)..... CHINA (L)..... SINGAPORE



Point ① (Pin22 of IC2) FM reception V : 2V/div H : 50nsec/div DC range 1 : 1 probe

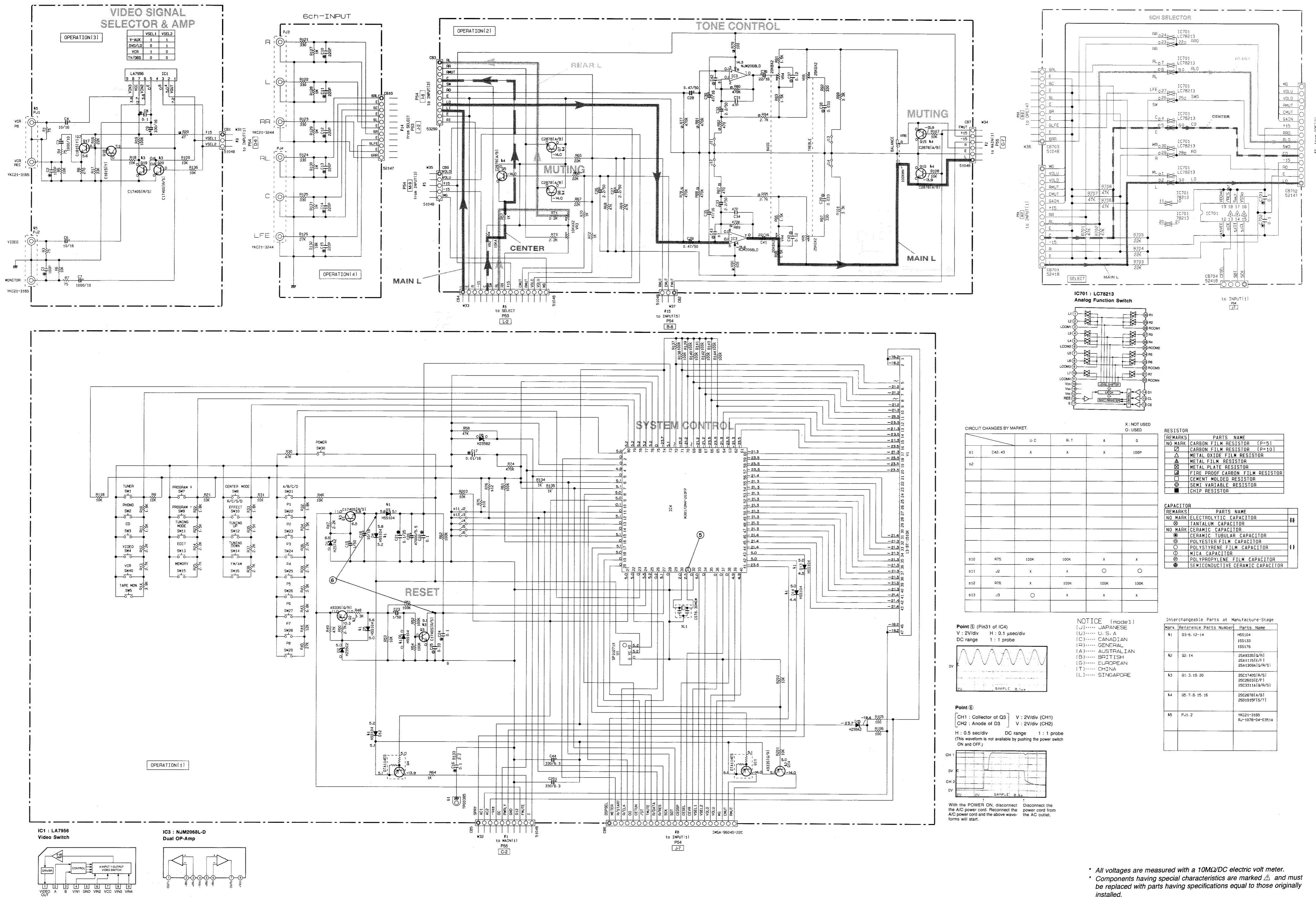


Point ② (Pin21 of IC3) V : 2V/div H : 1µsec/div DC range 1 : 1 probe



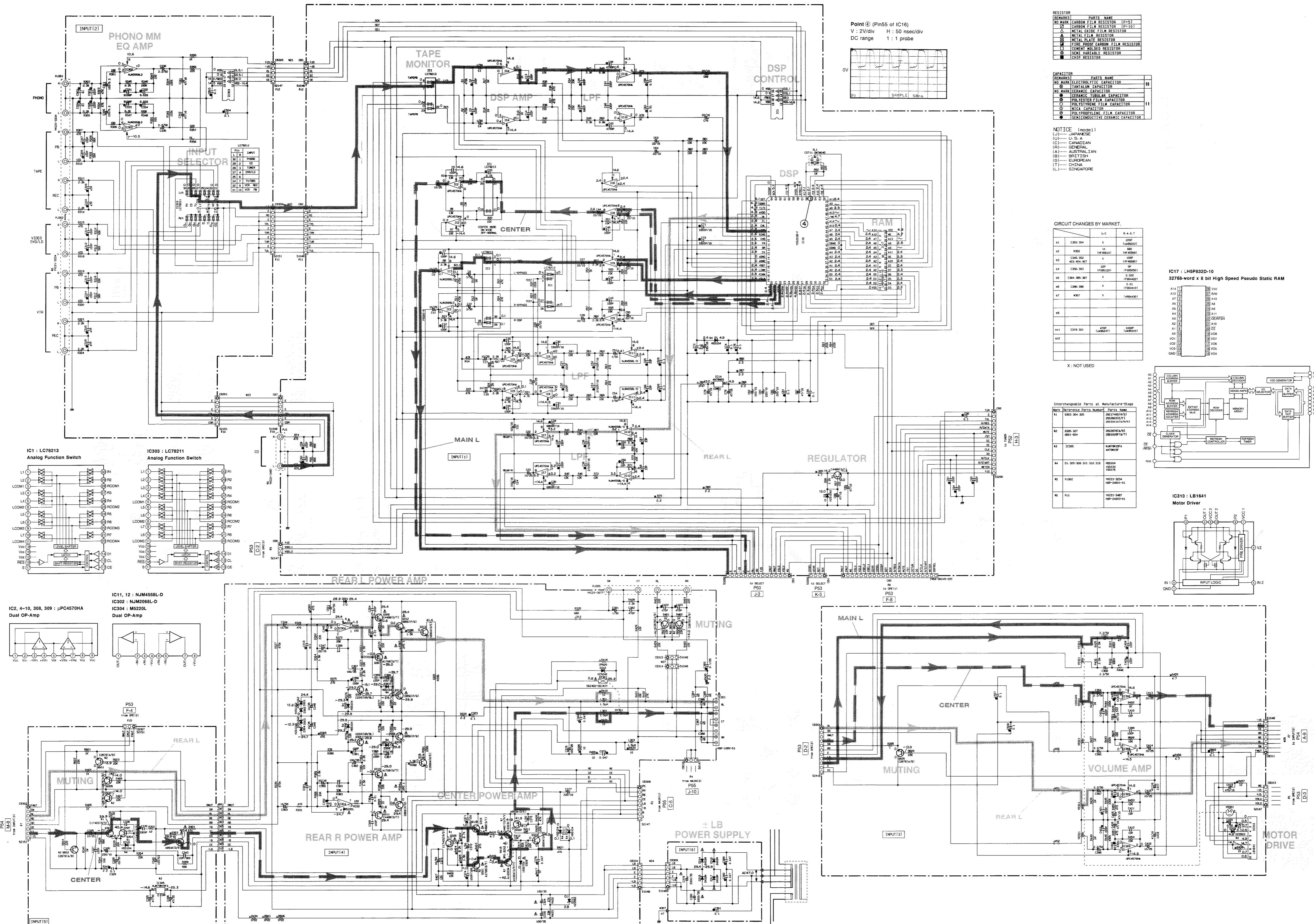
All voltages are measured with a 10MΩ/DC electric volt meter. Components having special characteristics are marked Δ and must be replaced with parts having specifications equal to those originally installed. Schematic diagram is subject to change without notice.

RX-V393/R-V503 SCHEMATIC DIAGRAM (OPERATION)



All voltages are measured with a 10MΩ/DC electric volt meter.
Components having special characteristics are marked Δ and must be replaced with parts having specifications equal to those originally installed.
Schematic diagram is subject to change without notice.

RX-V393/R-V503 SCHEMATIC DIAGRAM (INPUT)



RESISTOR

REMARKS	PARTS NAME
NO MARK	CARBON FILM RESISTOR (P-1)
□	CARBON FILM RESISTOR (P-1)
△	METAL OXIDE FILM RESISTOR
▲	METAL FILM RESISTOR
△	METAL PLATE RESISTOR
■	FIRE PROOF CARBON FILM RESISTOR
□	CHEMICAL WHEEL RESISTOR
○	SEMI-VARIABLE RESISTOR
●	TRIP RESISTOR

CAPACITOR

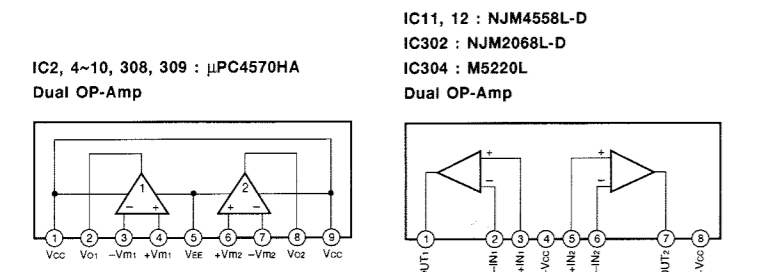
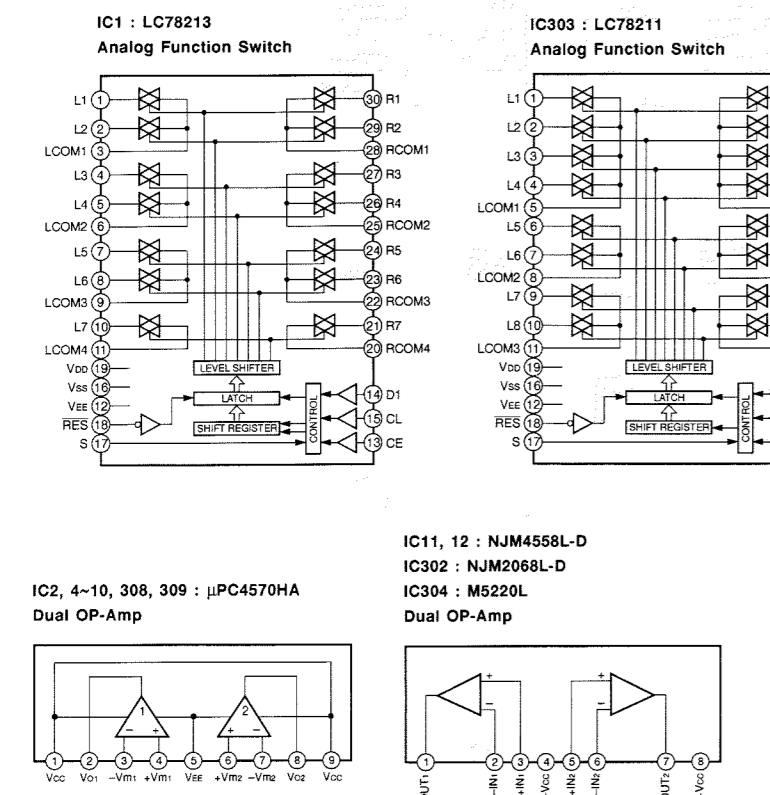
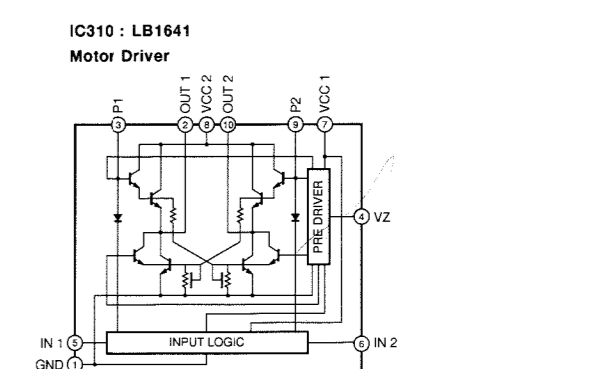
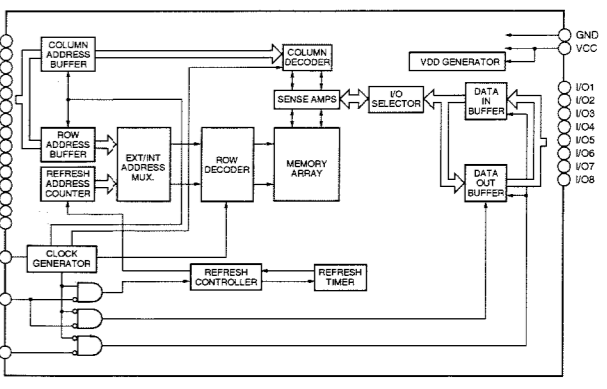
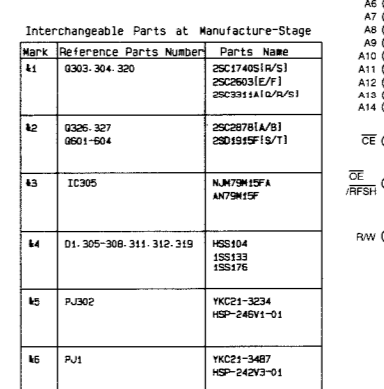
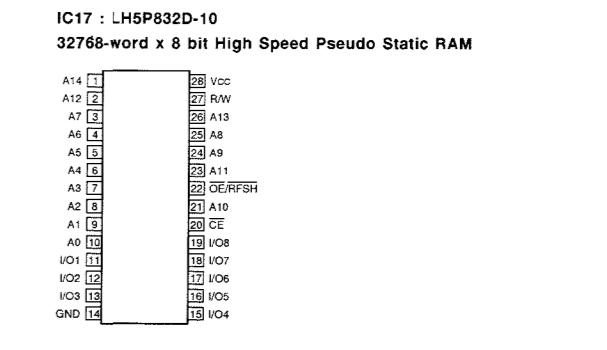
REMARKS	PARTS NAME
NO MARK	ELECTROLYTIC CAPACITOR
□	TANTALUM CAPACITOR
○	CERAMIC LUNAR CAPACITOR
●	POLYESTER FILM CAPACITOR
○	POLYSTYRENE FILM CAPACITOR
○	MICA CAPACITOR
○	POLYPROPYLENE FILM CAPACITOR
●	SEMICONDUCTIVE CERAMIC CAPACITOR

NOTICE (code)

(J)..... JAPANESE
 (U)..... U.S.A.
 (C)..... CANADIAN
 (G)..... GENERAL
 (A)..... AUSTRALIAN
 (B)..... BRITISH
 (O)..... EUROPEAN
 (T)..... CHINA
 (L)..... SINGAPORE

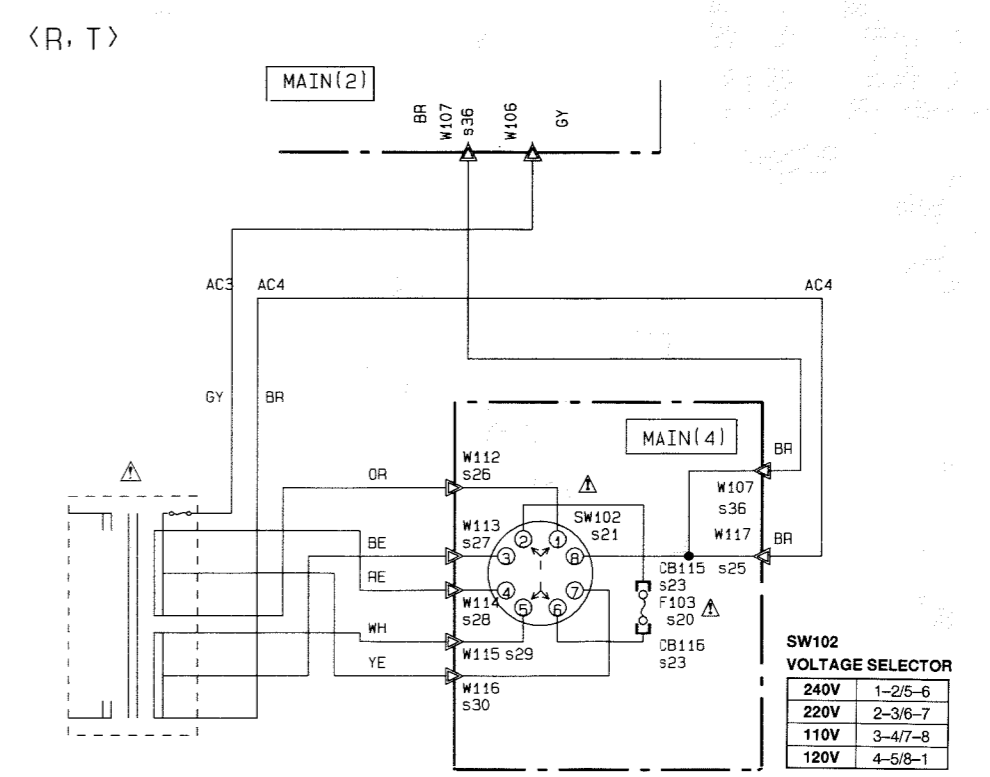
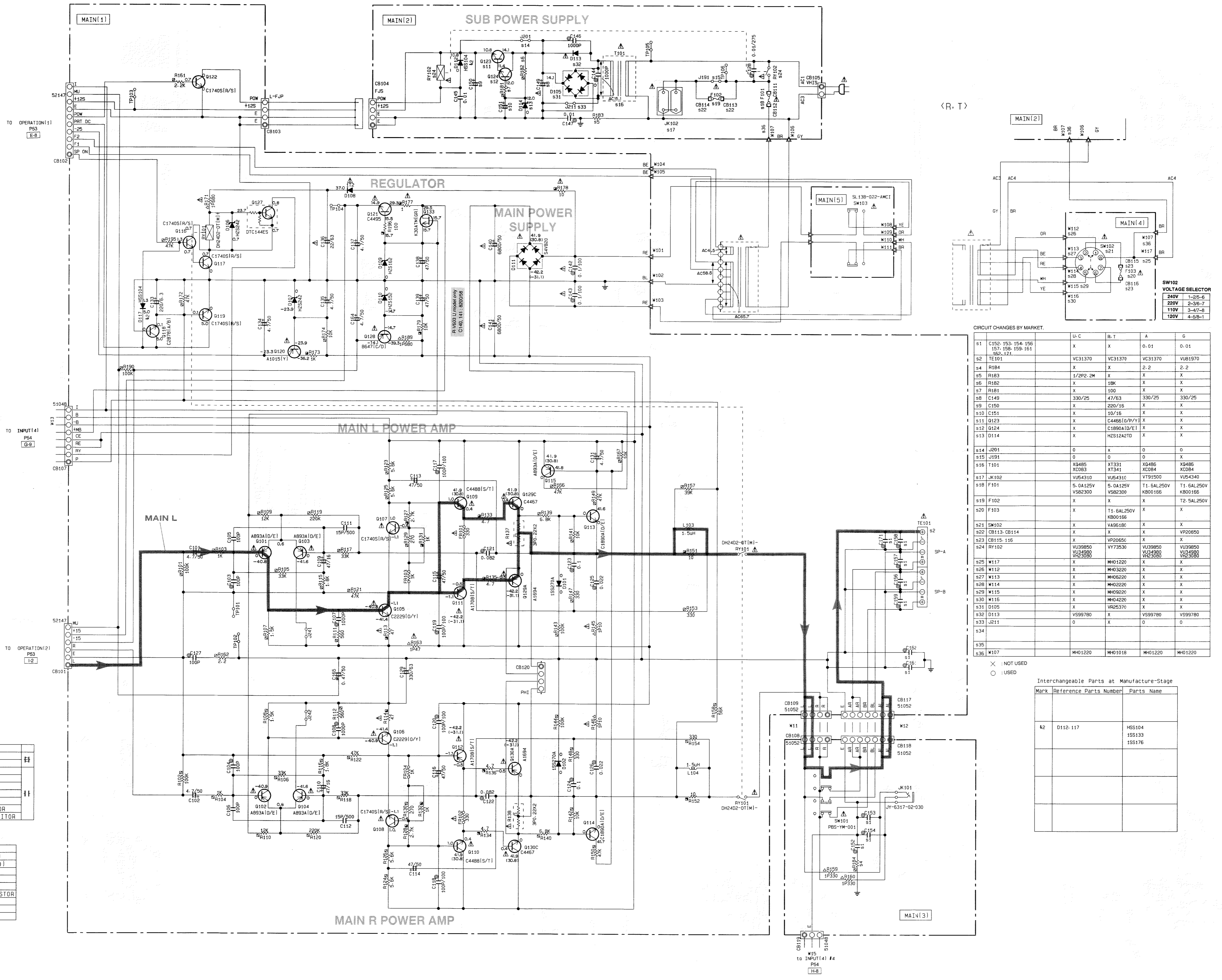
CIRCUIT CHANGES BY MARKET

NO.	IC	U.C.	R.A.S.T.
51	CR2-304	A	20P (1480001)
52	NR2	A	20P (1480001)
53	CR4-302	A	10P (1480001)
54	CR6-302	SP	10P (1480001)
55	CR4-302-301	A	5-10P (1480001)
56	CR6-302	A	10P (1480001)
57	NR2	A	10P (1480001)
58	CR4-302	A	10P (1480001)
59	CR4-302	A	10P (1480001)
60	CR4-302	A	10P (1480001)
61	CR4-302	A	10P (1480001)
62	CR4-302	A	10P (1480001)



All voltages are measured with a 10MΩ/DC electric volt meter.
 Components having special characteristics are marked △, and must be replaced with parts having specifications equal to those originally installed.
 Schematic diagram is subject to change without notice.

RX-V393/R-V503 SCHEMATIC DIAGRAM (MAIN)



CIRCUIT CHANGES BY MARKET.

Part No.	U-C	R-T	A	G
81	C150, 153, 154, 156, 157, 158, 159, 161, 160, 171	X	X	0.01, 0.01
82	TE103	VC31370	VC31370	VC31370
84	R184	X	X	2.2, 2.2
85	R183	1/2PP-2M	X	X
86	R182	X	18K	X
87	R181	X	100	X
88	C148	330/25	47/63	330/25, 330/25
89	C150	X	220/16	X
90	C151	X	10/16	X
91	Q123	X	C44851 (P/P)/1	X
92	Q124	X	C1890A1D/E1	X
93	D114	X	HZS12A2T0	X
94	J201	0	X	0
95	J191	0	X	0
96	T101	XG485, XC083	XT331, XT341	XG486, XG488, XG489, XG490
97	JK102	VU54310	VU54310	VU54340
98	F101	5.0A125V, VS82300	5.0A125V, VS82300	T1.6A1250V, KB00166, T2.5A1250V, KB00166
99	F102	X	X	X
100	F103	X	T1.6A1250V, KB00166	X
101	SW102	X	V49618C	X
102	CB113, CB114	X	X	VP20650
103	CB115, 116	X	VP2065C	X
104	RY102	VU39850, VU34980, VU32800	VY73530	VU39850, VU34980, VU32800
105	M117	X	MH01220	X
106	M112	X	MH03220	X
107	M113	X	MH06220	X
108	M114	X	MH02200	X
109	M115	X	MH09220	X
110	M116	X	MH04220	X
111	D105	X	VR25370	X
112	D113	X	V599780	V599780
113	J211	0	X	0
114				
115				
116	M107	MH01220	MH01018	MH01220, MH01220

X : NOT USED
 O : USED

Interchangeable Parts at Manufacture-Stage

Mark	Reference Parts Number	Parts Name
82	D112-117	HSS104, 1SS133, 1SS176

NOTICE (model)
 (J)..... JAPANESE
 (U)..... U. S. A
 (C)..... CANADIAN
 (R)..... GENERAL
 (A)..... AUSTRALIAN
 (B)..... BRITISH
 (E)..... EUROPEAN
 (T)..... CHINA
 (L)..... SINGAPORE

CAPACITOR

REMARKS	PARTS NAME
NO MARK	ELECTROLYTIC CAPACITOR
⊖	TANTALUM CAPACITOR
NO MARK	CERAMIC CAPACITOR
⊙	CERAMIC TUBULAR CAPACITOR
⊗	POLYESTER FILM CAPACITOR
○	POLYSTYRENE FILM CAPACITOR
⊕	MICA CAPACITOR
⊖	POLYPROPYLENE FILM CAPACITOR
⊙	SEMICONDUCTIVE CERAMIC CAPACITOR

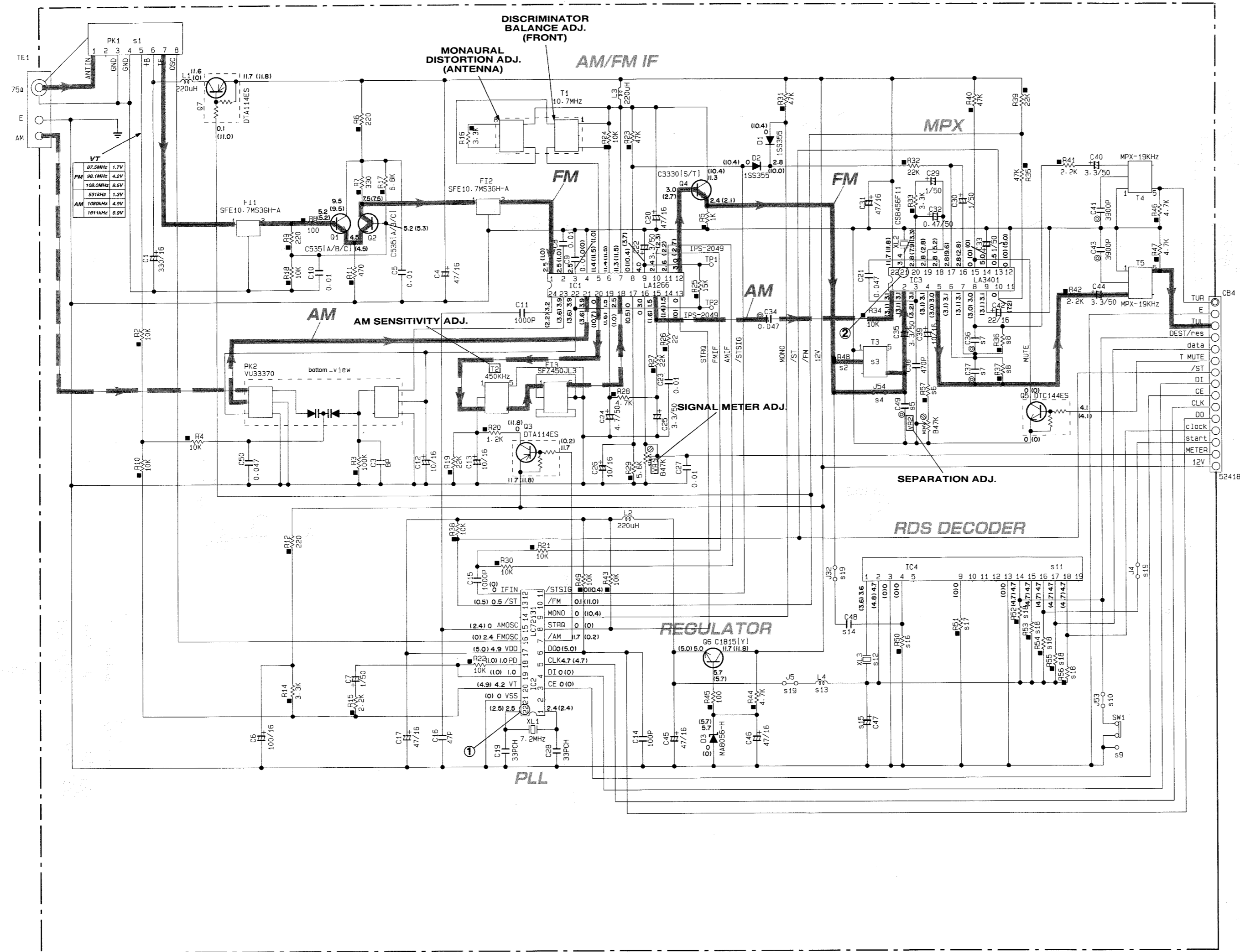
RESISTOR

REMARKS	PARTS NAME
NO MARK	CARBON FILM RESISTOR (P=5)
□	CARBON FILM RESISTOR (P=10)
△	METAL OXIDE FILM RESISTOR
⊠	METAL FILM RESISTOR
⊞	METAL PLATE RESISTOR
⊞	FIRE-PROOF CARBON FILM RESISTOR
□	CEMENT MOLDED RESISTOR
⊞	SEMI-VARIABLE RESISTOR
■	CHIP RESISTOR

* All voltages are measured with a 10MΩ/DC electric volt meter.
 * Components having special characteristics are marked Δ and must be replaced with parts having specifications equal to those originally installed.
 * Schematic diagram is subject to change without notice.

RX-V493/R-V703 SCHEMATIC DIAGRAM (TUNER)

Each voltage given here represents that in the FM (98.1MHz, STEREO) reception mode but the one in the parentheses () is measured in the AM (1080kHz, MAN'L) reception mode.

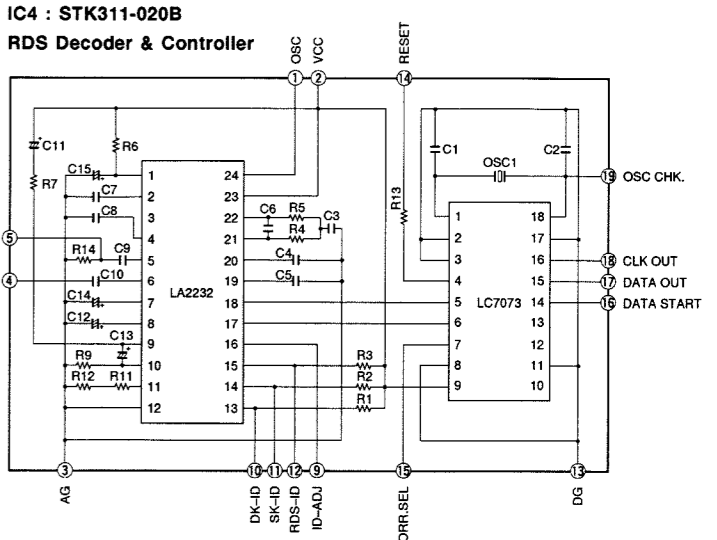
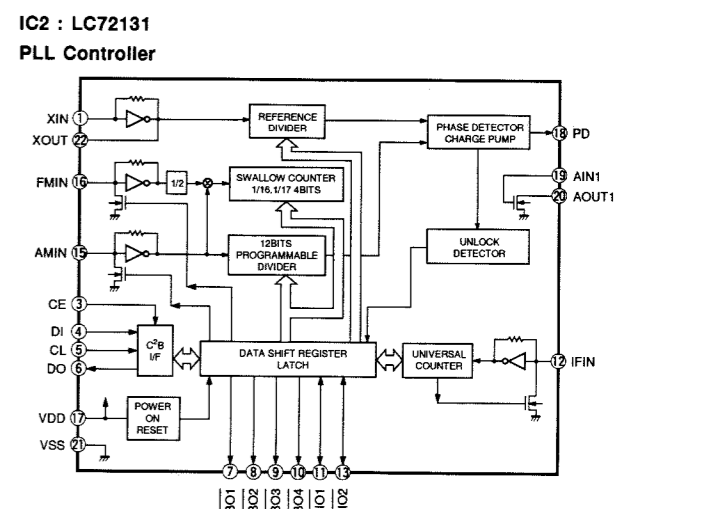
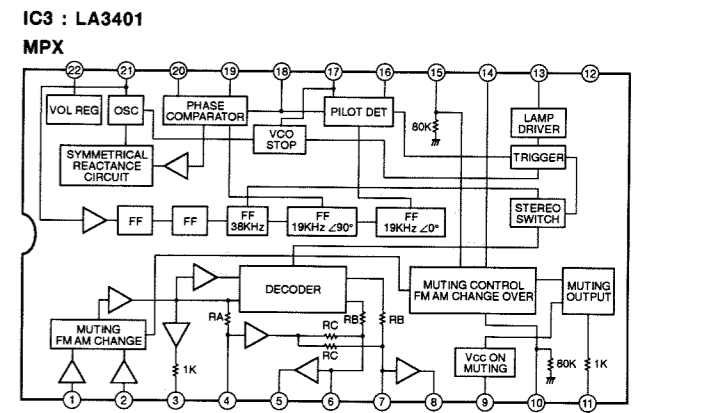
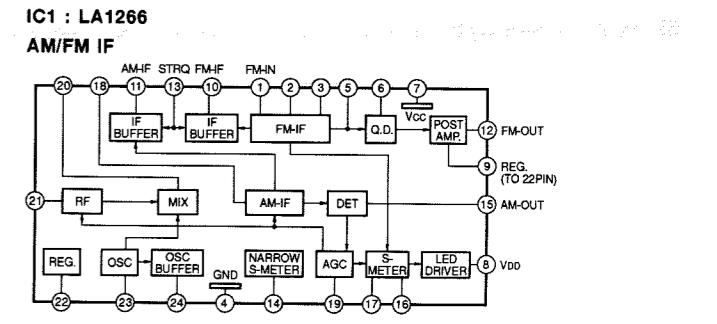


CIRCUIT CHANGES BY MARKET. Table with columns for market codes (S, J, U-C, R, A-B-G-L, B-G/RDS) and component values for various parts like PK1, R4B, T3, J54, R57, C36-37, R36-37, SW1, J53, IC4, XL3, L4, C4B, C47, R50, R51, R52-56, J4, S-32.

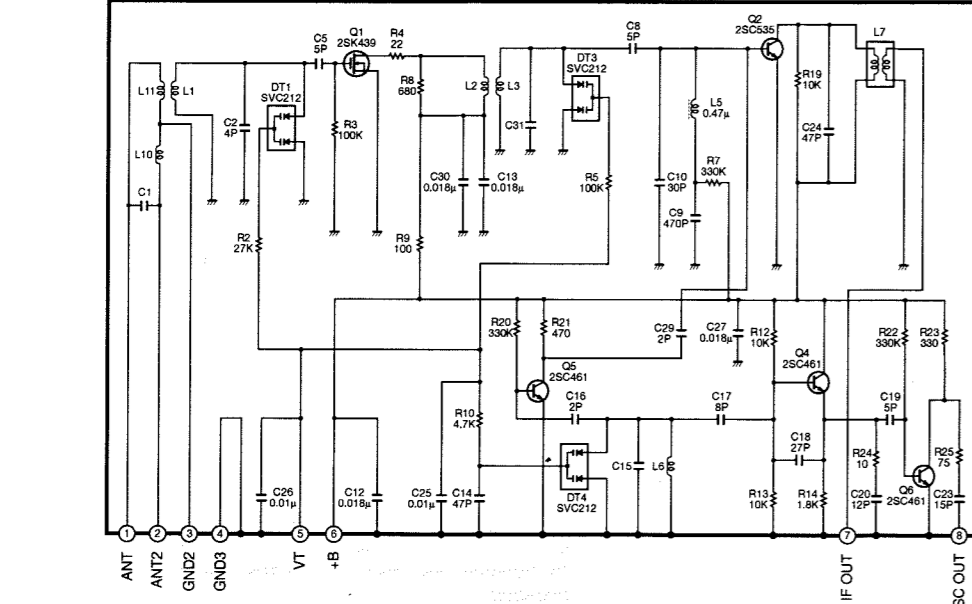
CAPACITOR table with columns for Remarks and Parts Name, listing various capacitor types like Electrolytic, Tantalum, Ceramic, etc.

RESISTOR table with columns for Remarks and Parts Name, listing various resistor types like Carbon Film, Metal Oxide Film, etc.

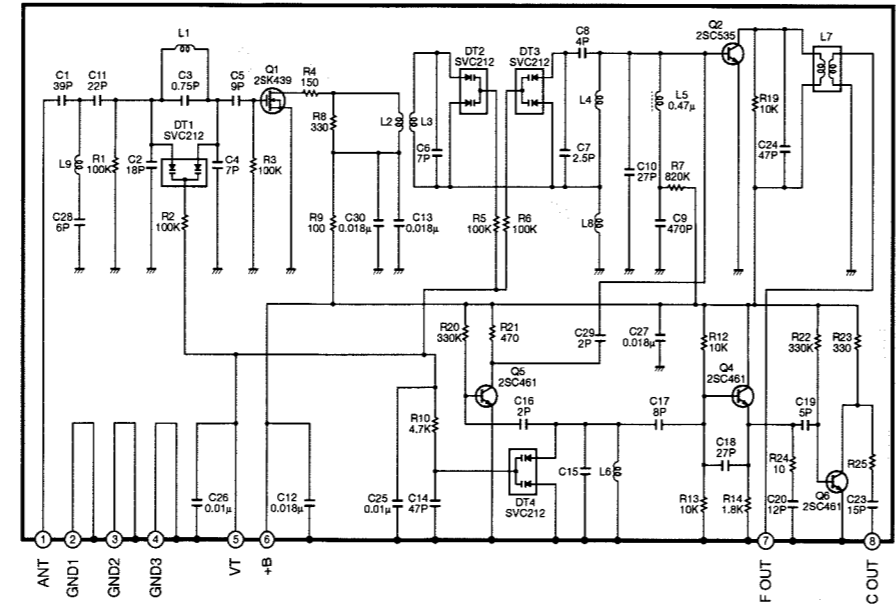
NOTICE (mode1) (J)..... JAPANESE (U)..... U.S.A (C)..... CANADIAN (A)..... GENERAL (R)..... AUSTRALIAN (B)..... BRITISH (G)..... EUROPEAN (T)..... CHINA (L)..... SINGAPORE



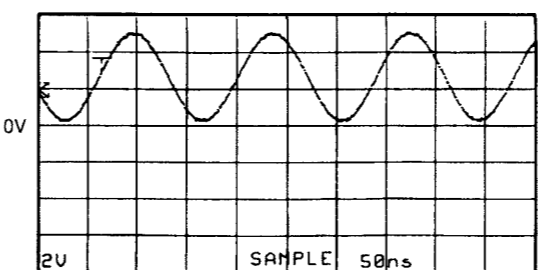
PK1: ENV-17298G1 (VR242200) U, C, R, T models



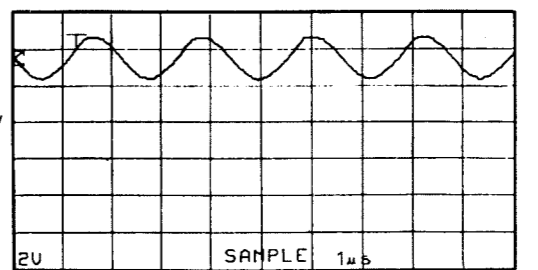
PK1: ENV-17297G1 (VQ987600) A, L, B, G models



Point ① (Pin22 of IC2) FM reception V: 2V/div H: 50nsec/div DC range 1:1 probe

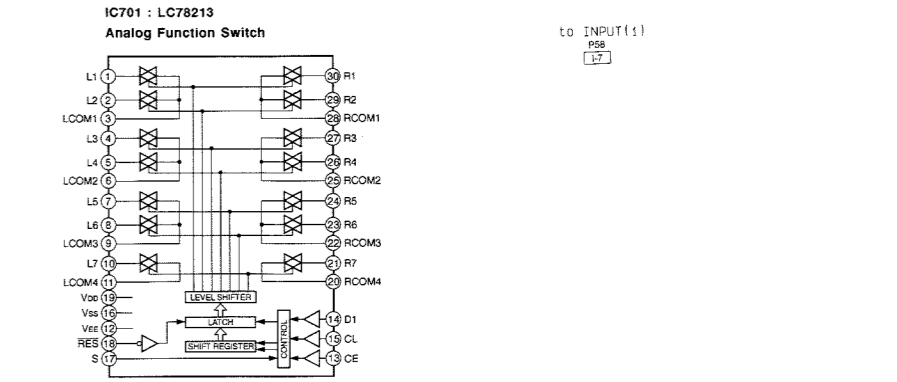
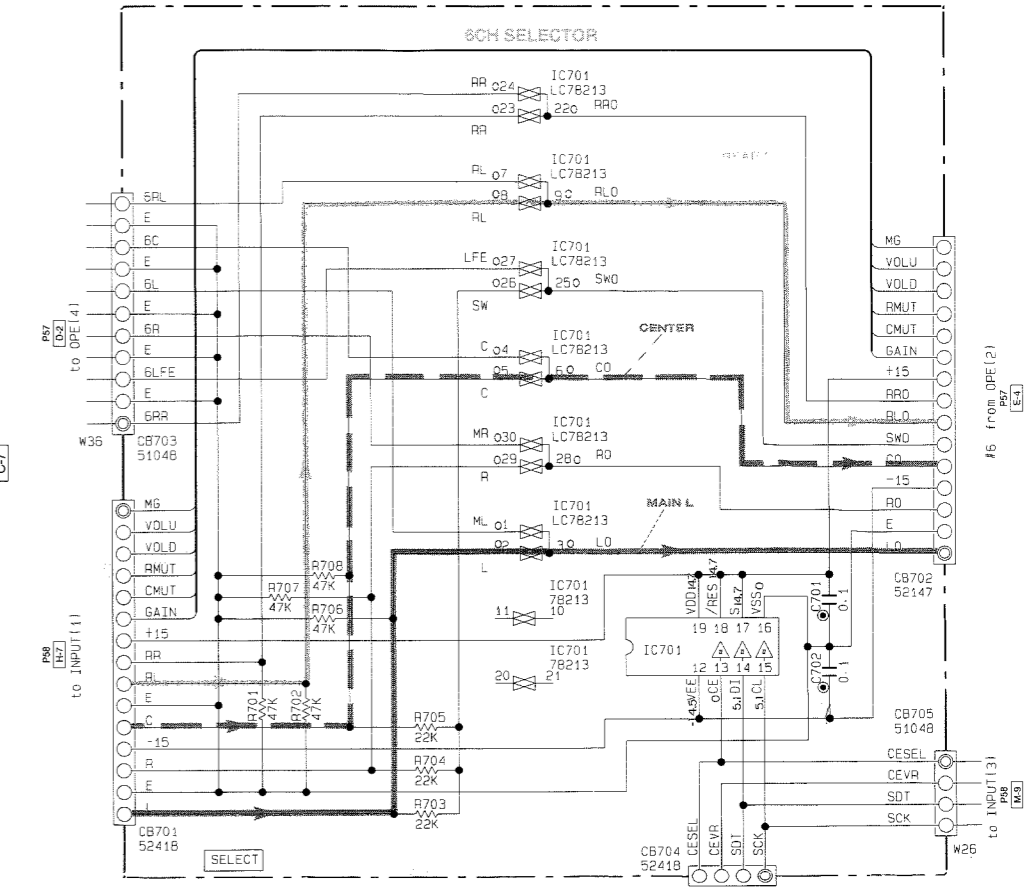
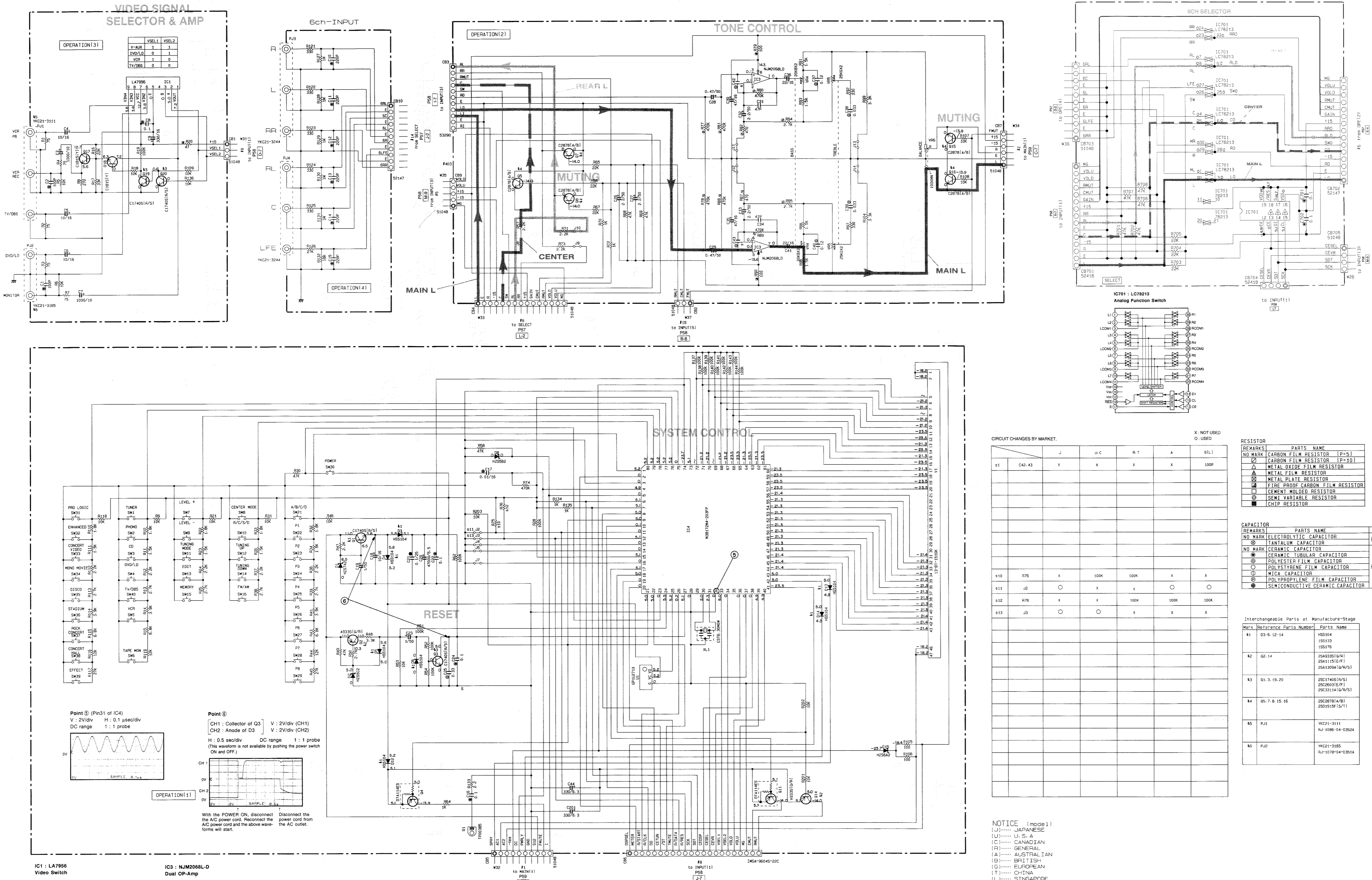


Point ② (Pin21 of IC3) V: 2V/div H: 1µsec/div DC range 1:1 probe



* All voltages are measured with a 10MΩ/DC electric volt meter. * Components having special characteristics are marked Δ, and must be replaced with parts having specifications equal to those originally installed. * Schematic diagram is subject to change without notice.

RX-V493/R-V703 SCHEMATIC DIAGRAM (OPERATION)



CIRCUIT CHANGES BY MARKET.

	J	U-C	R-T	A	G11
S1	C42-43	X	X	X	100P
S10	R75	X	100K	100K	X
S11	J2	O	X	X	O
S12	R76	X	X	100K	100K
S13	J5	O	X	X	X

RESISTOR

REMARKS	PARTS NAME
NO MARK	CARBON FILM RESISTOR (P=5)
⊠	CARBON FILM RESISTOR (P=10)
△	METAL OXIDE FILM RESISTOR
⊡	METAL FILM RESISTOR
⊞	METAL PLATE RESISTOR
⊞	FIBRE PROOF CARBON FILM RESISTOR
⊞	CEMENT MOLDED RESISTOR
⊞	SEMI VARIABLE RESISTOR
⊞	CHIP RESISTOR

CAPACITOR

REMARKS	PARTS NAME
NO MARK	ELECTROLYTIC CAPACITOR
⊞	TANTALUM CAPACITOR
NO MARK	CERAMIC CAPACITOR
⊞	CERAMIC TUBULAR CAPACITOR
⊞	POLYESTER FILM CAPACITOR
⊞	MICA CAPACITOR
⊞	POLYPROPYLENE FILM CAPACITOR
⊞	SEMICONDUCTIVE CERAMIC CAPACITOR

Interchangeable Parts at Manufacturer's Stage

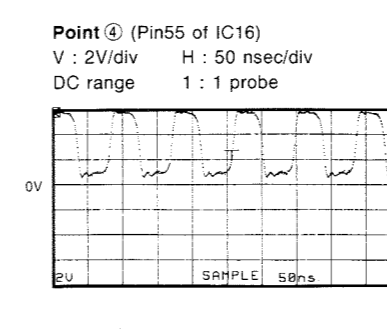
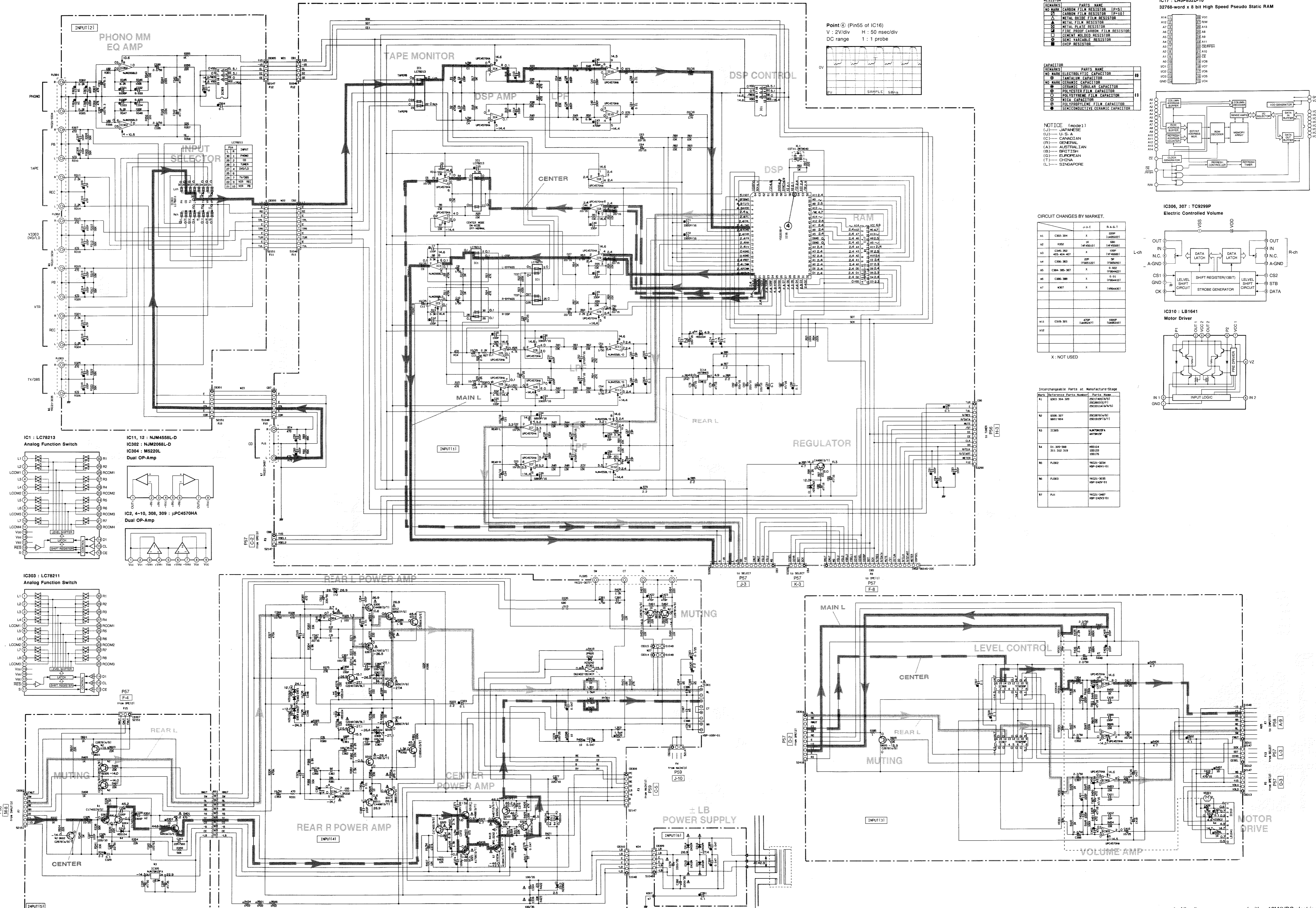
Mark	Reference Parts Number	Parts Name
A1	03-6-12-14	HSS104 1S5133 1S5176
A2	02-14	2S493351Q/R 2S41151E/F 2S413594Q/R/S1
A3	01.3-19-20	2SC1740S(R/S) 2SC2603IE/F 2SC33114Q/R/S1
A4	05-7-8-15-16	2SC2878(A/B) 2S01915F(S-T)
A5	PJ1	YC21-3111 RJ-1038-04-0352A
A6	PJ2	YC21-3165 RJ-1078-04-0351A

NOTICE (mode)
 (J)..... JAPANESE
 (U)..... U.S. A
 (C)..... CANADIAN
 (R)..... GENERAL
 (A)..... AUSTRALIAN
 (B)..... BRITISH
 (G)..... EUROPEAN
 (T)..... CHINA
 (L)..... SINGAPORE

* All voltages are measured with a 10MΩ/DC electric volt meter.
 * Components having special characteristics are marked Δ and must be replaced with parts having specifications equal to those originally installed.
 * Schematic diagram is subject to change without notice.

RX-V493/R-V703 SCHEMATIC DIAGRAM (INPUT)

1
2
3
4
5
6
7
8
9
10



RESISTOR

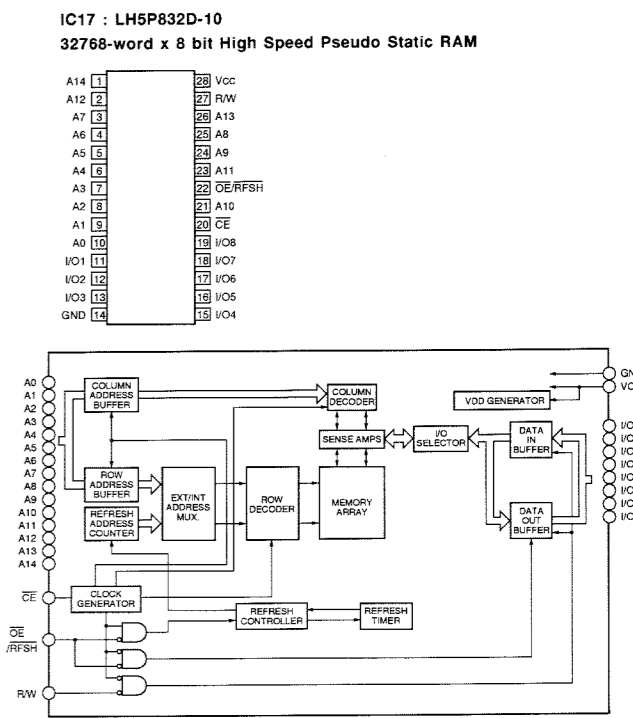
MARK	PARTS NAME
NO MARK	CARBON FILM RESISTOR (P+S)
□	CARBON FILM RESISTOR (P+S)
△	METAL FILM RESISTOR
◇	METAL FILM RESISTOR
○	FINE PRINT CARBON FILM RESISTOR
□	CEMENT MOUNTED RESISTOR
■	DIET VARIABLE RESISTOR
□	DIET RESISTOR

CAPACITOR

MARK	PARTS NAME
NO MARK	ELECTROLYTIC CAPACITOR
□	INITIAL FILM CAPACITOR
NO MARK	CERAMIC CAPACITOR
□	POLYESTER FILM CAPACITOR
□	POLYPROPYLENE FILM CAPACITOR
□	MICA CAPACITOR
□	POLYPROPYLENE FILM CAPACITOR
□	NON-POLARIZED ELECTROLYTIC CAPACITOR

NOTICE (note 1)

(J)..... JAPANESE
 (U)..... U.S.A.
 (C)..... CANADIAN
 (R)..... GENERAL
 (A)..... AUSTRALIAN
 (B)..... BRITISH
 (G)..... EUROPEAN
 (T)..... THAI
 (L)..... SINGAPORE



CIRCUIT CHANGES BY MARKET.

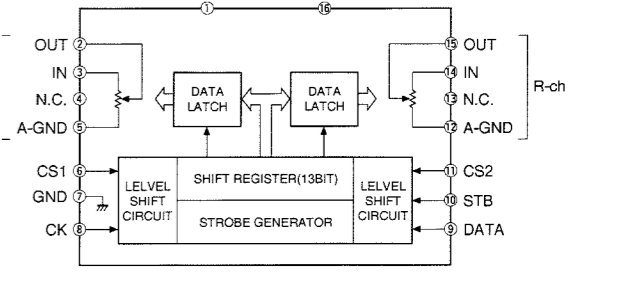
NO.	MARK	J.C.E.	R.A.B.T.
11	CMS-304	X	100P (100M001)
12	1000	X	600 (100M001)
13	CMC-302	X	100P (100M001)
14	CMC-303	X	100P (100M001)
15	CMC-305	X	100P (100M001)
16	CMC-306	X	100P (100M001)
17	CMC-307	X	100P (100M001)
18	CMC-308	X	100P (100M001)
19	CMC-309	X	100P (100M001)
20	CMC-310	X	100P (100M001)
21	CMC-311	X	100P (100M001)
22	CMC-312	X	100P (100M001)
23	CMC-313	X	100P (100M001)
24	CMC-314	X	100P (100M001)
25	CMC-315	X	100P (100M001)
26	CMC-316	X	100P (100M001)
27	CMC-317	X	100P (100M001)
28	CMC-318	X	100P (100M001)
29	CMC-319	X	100P (100M001)
30	CMC-320	X	100P (100M001)
31	CMC-321	X	100P (100M001)
32	CMC-322	X	100P (100M001)
33	CMC-323	X	100P (100M001)
34	CMC-324	X	100P (100M001)
35	CMC-325	X	100P (100M001)
36	CMC-326	X	100P (100M001)
37	CMC-327	X	100P (100M001)
38	CMC-328	X	100P (100M001)
39	CMC-329	X	100P (100M001)
40	CMC-330	X	100P (100M001)
41	CMC-331	X	100P (100M001)
42	CMC-332	X	100P (100M001)
43	CMC-333	X	100P (100M001)
44	CMC-334	X	100P (100M001)
45	CMC-335	X	100P (100M001)
46	CMC-336	X	100P (100M001)
47	CMC-337	X	100P (100M001)
48	CMC-338	X	100P (100M001)
49	CMC-339	X	100P (100M001)
50	CMC-340	X	100P (100M001)
51	CMC-341	X	100P (100M001)
52	CMC-342	X	100P (100M001)
53	CMC-343	X	100P (100M001)
54	CMC-344	X	100P (100M001)
55	CMC-345	X	100P (100M001)
56	CMC-346	X	100P (100M001)
57	CMC-347	X	100P (100M001)
58	CMC-348	X	100P (100M001)
59	CMC-349	X	100P (100M001)
60	CMC-350	X	100P (100M001)

X: NOT USED

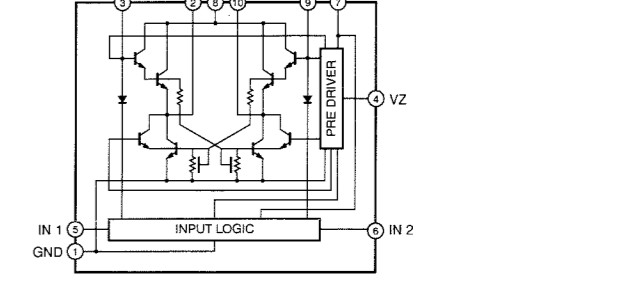
Interchangeable Parts at Manufacture-Stage

Mark	Reference Parts Number	Actual Name
41	1000-300-300	1000-300-300
42	1000-300-300	1000-300-300
43	1000-300-300	1000-300-300
44	1000-300-300	1000-300-300
45	1000-300-300	1000-300-300
46	1000-300-300	1000-300-300
47	1000-300-300	1000-300-300
48	1000-300-300	1000-300-300
49	1000-300-300	1000-300-300
50	1000-300-300	1000-300-300
51	1000-300-300	1000-300-300
52	1000-300-300	1000-300-300
53	1000-300-300	1000-300-300
54	1000-300-300	1000-300-300
55	1000-300-300	1000-300-300
56	1000-300-300	1000-300-300
57	1000-300-300	1000-300-300
58	1000-300-300	1000-300-300
59	1000-300-300	1000-300-300
60	1000-300-300	1000-300-300

IC306, 307 : TC9299P

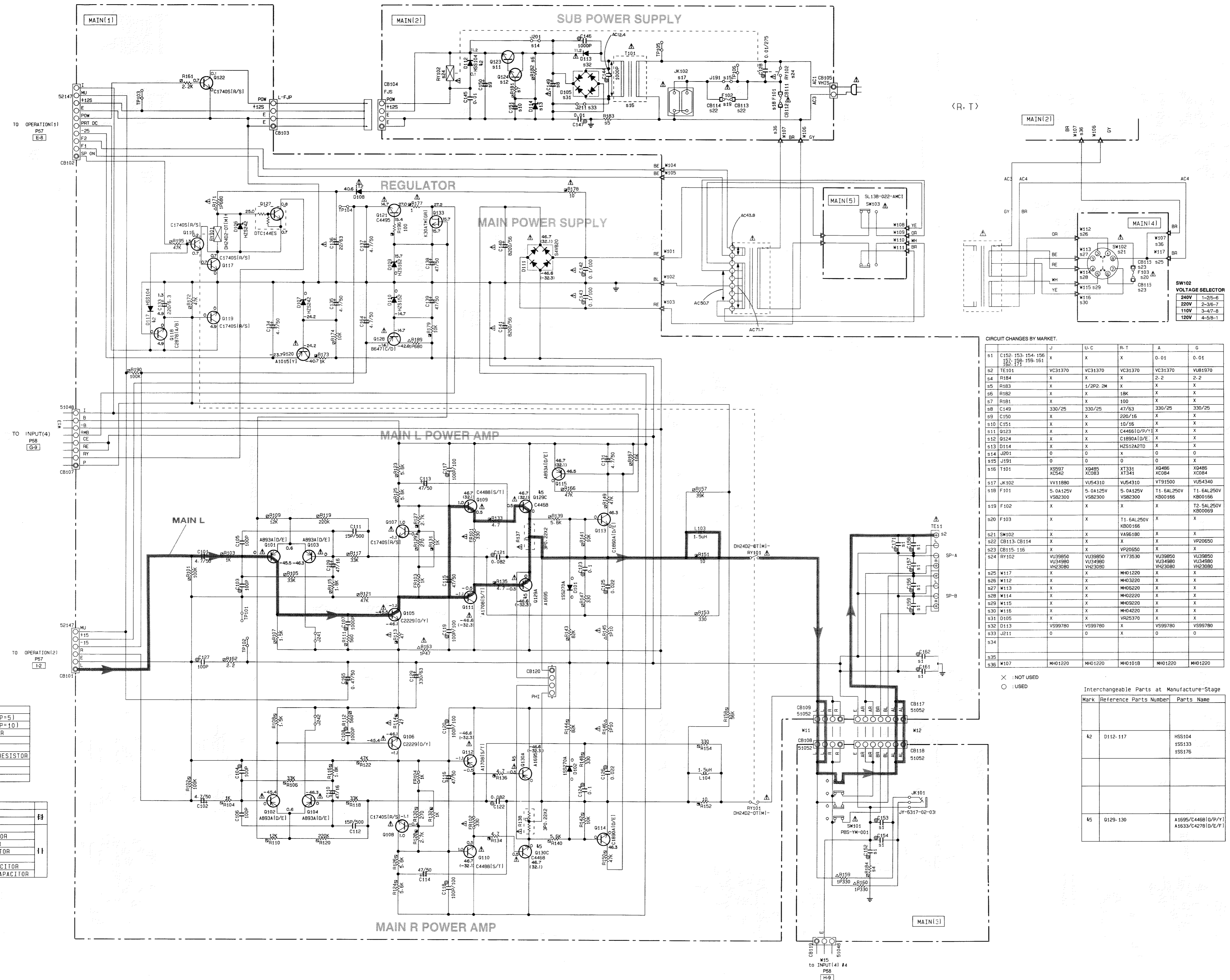


IC310 : LB1641

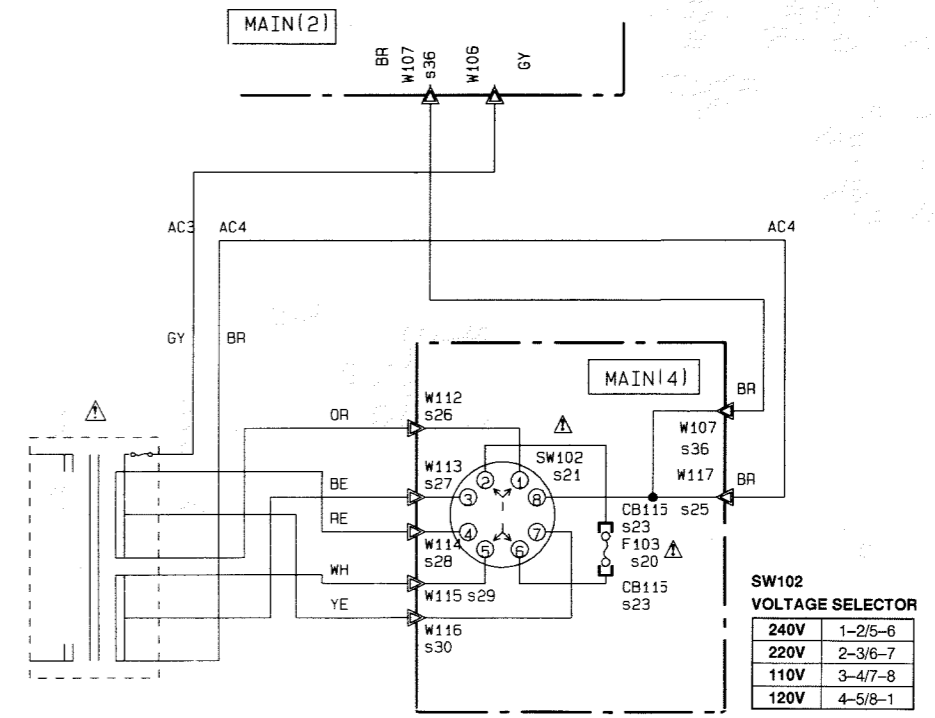


All voltages are measured with a 10MΩ/DC electric volt meter.
 Components having special characteristics are marked Δ and must be replaced with parts having specifications equal to those originally installed.
 Schematic diagram is subject to change without notice.

RX-V493/R-V703 SCHEMATIC DIAGRAM (MAIN)



(R.T)



CIRCUIT CHANGES BY MARKET:

	J	U.C	R.T	A	G
S1	C152 153-154-156 157-158-159-161	X	X	0.01	0.01
S2	TE101	VC31370	VC31370	VC31370	VU81970
S4	R184	X	X	2-2	2-2
S5	R183	X	1/2P2.2M	X	X
S6	R182	X	X	18K	X
S7	R181	X	X	100	X
S8	C149	330/25	330/25	47/63	330/25
S9	C150	X	X	220/15	X
S10	C151	X	X	10/16	X
S11	D123	X	X	C446610/P/Y1	X
S12	D124	X	X	C189010/E	X
S13	D114	X	X	HZ512A2T0	X
S14	J201	0	0	0	0
S15	J191	0	0	0	0
S16	T101	X587 XC542	X0485 XC083	XT331 XT341	X0486 XC084
S17	JK102	VV11880	VU54310	VU54310	VU54340
S18	F101	S-0A125V V582300	S-0A125V V582300	S-0A125V V582300	T1-6AL250V KB00166
S19	F102	X	X	X	T2-5AL250V KB00069
S20	F103	X	X	T1-6AL250V KB00166	X
S21	SW102	X	X	VA96180	X
S22	CB113-114	X	X	X	VP20650
S23	CB115-116	X	X	VP20650	X
S24	RY102	VU30800 VU34980 VH23080	VU30800 VU34980 VH23080	VY73530	VU30800 VU34980 VH23080
S25	M117	X	X	MH01220	X
S26	M112	X	X	MH03220	X
S27	M113	X	X	MH06220	X
S28	M114	X	X	MH02220	X
S29	M115	X	X	MH09220	X
S30	M116	X	X	MH04220	X
S31	D105	X	X	VR25370	X
S32	D113	V599780	V599780	X	V599780
S33	J211	0	0	X	0
S34					
S35					
S36	M107	MH01220	MH01220	MH01018	MH01220

X : NOT USED
O : USED

Interchangeable Parts at Manufacture-Stage

Mark	Reference Parts Number	Parts Name
42	D112-117	H55104 H55133 H55176
45	D129-130	A1695/C446810/P/Y1 A1633/C427810/E/F1

NOTICE (model)
(J)..... JAPANESE
(U)..... U.S.A
(C)..... CANADIAN
(R)..... GENERAL
(A)..... AUSTRALIAN
(B)..... BRITISH
(T)..... EUROPEAN
(G)..... CHINA
(L)..... SINGAPORE

RESISTOR

REMARKS	PARTS NAME
NO MARK	CARBON FILM RESISTOR (P=5)
□	CARBON FILM RESISTOR (P=10)
△	METAL OXIDE FILM RESISTOR
△	METAL FILM RESISTOR
⊗	METAL PLATE RESISTOR
⊗	FIRE PROOF CARBON FILM RESISTOR
□	CEMENT WOLED RESISTOR
⊗	SEMI VARIABLE RESISTOR
■	CHIP RESISTOR

CAPACITOR

REMARKS	PARTS NAME
NO MARK	ELECTROLYTIC CAPACITOR
⊗	TANTALUM CAPACITOR
NO MARK	CERAMIC CAPACITOR
⊙	CERAMIC TUBULAR CAPACITOR
⊙	POLYESTER FILM CAPACITOR
⊙	POLYSTYRENE FILM CAPACITOR
⊙	MICA CAPACITOR
⊙	POLYPROPYLENE FILM CAPACITOR
⊙	SEMICONDUCTIVE CERAMIC CAPACITOR

* All voltages are measured with a 10MΩ/DC electric volt meter.
* Components having special characteristics are marked △ and must be replaced with parts having specifications equal to those originally installed.
* Schematic diagram is subject to change without notice.

PARTS LIST

■ WARNING

Components having special characteristics are marked \triangle and must be replaced with parts having specifications equal to those originally installed.

- Carbon resistors (1/6W or 1/4W) are not included in the ELECTRICAL PARTS List. For the part Nos. of the carbon resistors, refer to the last page.

■ ELECTRICAL PARTS

ABBREVIATIONS IN THIS LIST ARE AS FOLLOWS :

C.A.EL.CHP	: CHIP ALUMI. ELECTROLYTIC CAP	L.EMIT	: LIGHT EMITTING MODULE
C.CE	: CERAMIC CAP	LED.DSPLY	: LED DISPLAY
C.CE.ARRAY	: CERAMIC CAP ARRAY	LED.INFRD	: LED, INFRARED
C.CE.CHP	: CHIP CERAMIC CAP	MODUL.RF	: MODULATOR, RF
C.CE.ML	: MULTILAYER CERAMIC CAP	PHOT.CPL	: PHOTO COUPLER
C.CE.M.CHP	: CHIP MULTILAYER CERAMIC CAP	PHOT.INTR	: PHOTO INTERRUPTER
C.CE.SAFTY	: RECOGNIZED CERAMIC CAP	PHOT.RFLCT	: PHOTO REFLECTOR
C.CE.TUBLR	: CERAMIC TUBULAR CAP	PIN.TEST	: PIN, TEST POINT
C.CE.SMI	: SEMI CONDUCTIVE CERAMIC CAP	PLST.RIVET	: PLASTIC RIVET
C.EL	: ELECTROLYTIC CAP	R.ARRAY	: RESISTOR ARRAY
C.MICA	: MICA CAP	R.CAR	: CARBON RESISTOR
C.ML.FLM	: MULTILAYER FILM CAP	R.CAR.CHP	: CHIP RESISTOR
C.MP	: METALLIZED PAPER CAP	R.CAR.FP	: FLAME PROOF CARBON RESISTOR
C.MYLAR	: MYLAR FILM CAP	R.FUS	: FUSABLE RESISTOR
C.MYLAR.ML	: MULTILAYER MYLAR FILM CAP	R.MTL.CHP	: CHIP METAL FILM RESISTOR
C.PAPER	: PAPER CAPACITOR	R.MTL.FLM	: METAL FILM RESISTOR
C.PLS	: POLYSTYRENE FILM CAP	R.MTL.OXD	: METAL OXIDE FILM RESISTOR
C.POL	: POLYESTER FILM CAP	R.MTL.PLAT	: METAL PLATE RESISTOR
C.POLY	: POLYETHYLENE FILM CAP	RSNR.CE	: CERAMIC RESONATOR
C.PP	: POLYPROPYLENE FILM CAP	RSNR.CRYS	: CRYSTAL RESONATOR
C.TNTL	: TANTALUM CAP	R.TW.CEM	: TWIN CEMENT FIXED RESISTOR
C.TNTL.CHP	: CHIP TANTALUM CAP	R.WW	: WIRE WOUND RESISTOR
C.TRIM	: TRIMMER CAP	SCR.BND.HD	: BIND HEAD B-TITE SCREW
CN	: CONNECTOR	SCR.BW.HD	: BW HEAD TAPPING SCREW
CN.BS.PIN	: CONNECTOR, BASE PIN	SCR.CUP	: CUP TITE SCREW
CN.CANNON	: CONNECTOR, CANNON	SCR.TERM	: SCREW TERMINAL
CN.DIN	: CONNECTOR, DIN	SCR.TR	: SCREW, TRANSISTOR
CN.FLAT	: CONNECTOR, FLAT CABLE	SUPRT.PCB	: SUPPORT, P.C.B.
CN.POST	: CONNECTOR, BASE POST	SURG.PRTCT	: SURGE PROTECTOR
COIL.MX.AM	: COIL, AM MIX	SW.TACT	: TACT SWITCH
COIL.AT.FM	: COIL, FM ANTENNA	SW.LEAF	: LEAF SWITCH
COIL.DT.FM	: COIL, FM DETECT	SW.LEVER	: LEVER SWITCH
COIL.MX.FM	: COIL, FM MIX	SW.MICRO	: MICRO SWITCH
COIL.OUTPT	: OUTPUT COIL	SW.PUSH	: PUSH SWITCH
DIOD.ARRAY	: DIODE ARRAY	SW.RT.ENC	: ROTARY ENCODER
DIODE.BRG	: DIODE BRIDGE	SW.RT.MTR	: ROTARY SWITCH WITH MOTOR
DIODE.CHP	: CHIP DIODE	SW.RT	: ROTARY SWITCH
DIODE.VAR	: VARACTOR DIODE	SW.SLIDE	: SLIDE SWITCH
DIOD.Z.CHP	: CHIP ZENER DIODE	TERM.SP	: SPEAKER TERMINAL
DIODE.ZENR	: ZENER DIODE	TERM.WRAP	: WRAPPING TERMINAL
DSCR.CE	: CERAMIC DISCRIMINATOR	THRMST.CHP	: CHIP THERMISTOR
FER.BEAD	: FERRITE BEADS	TR.CHP	: CHIP TRANSISTOR
FER.CORE	: FERRITE CORE	TR.DGT	: DIGITAL TRANSISTOR
FET.CHP	: CHIP FET	TR.DGT.CHP	: CHIP DIGITAL TRANSISTOR
FL.DSPLY	: FLUORESCENT DISPLAY	TRANS	: TRANSFORMER
FLTR.CE	: CERAMIC FILTER	TRANS.PULS	: PULSE TRANSFORMER
FLTR.COMB	: COMB FILTER MODULE	TRANS.PWR	: POWER TRANSFORMER ASS'y
FLTR.LC.RF	: LC FILTER ,EMI	TUNER.AM	: TUNER PACK, AM
GND.MTL	: GROUND PLATE	TUNER.FM	: TUNER PACK, FM
GND.TERM	: GROUND TERMINAL	TUNER.PK	: FRONT-END TUNER PACK
HOLDER.FUS	: FUSE HOLDER	VR	: ROTARY POTENTIOMETER
IC.PRTCT	: IC PROTECTOR	VR.MTR	: POTENTIOMETER WITH MOTOR
JUMPER.CN	: JUMPER CONNECTOR	VR.SW	: POTENTIOMETER WITH ROTARY SW
JUMPER.TST	: JUMPER, TEST POINT	VR.SLIDE	: SLIDE POTENTIOMETER
L.DTCT	: LIGHT DETECTING MODULE	VR.TRIM	: TRIMMER POTENTIOMETER

Note) Those parts marked with "#" are not included in the P.C.B. ass'y.

RX-V393/R-V503 P.C.B. OPERATION

Schm Ref.	PART NO.	Description		
*	VZ391100	P. C. B.	OPERATION(UC)	
*	VZ391200	P. C. B.	OPERATION(RT)	
*	VZ391300	P. C. B.	OPERATION(A)	
*	VZ391400	P. C. B.	OPERATION(G)	
CB1	Vi878100	CN. BS. PIN	3P	
CB2	Vi878100	CN. BS. PIN	3P	
CB3	VQ963200	CN. BS. PIN	11P	
CB4	Vi879300	CN. BS. PIN	15P	
CB5	Vi878800	CN. BS. PIN	10P	
CB6	VU272200	CN	22P	
CB7	Vi878400	CN. BS. PIN	6P	
CB9	Vi878300	CN. BS. PIN	5P	
CB10	VK027000	CN. BS. PIN	11P	
C1	VF466800	C. CE. TUBLR	100pF	50V
C2	VF466800	C. CE. TUBLR	100pF	50V
C3	UR829100	C. EL	1000uF	10V
C4	VJ836900	C. EL	10uF	16V
C6	VJ836900	C. EL	10uF	16V
C7	UR829100	C. EL	1000uF	10V
C8	VH053100	C. CE. TUBLR	0. 1uF	50V
C9	UJ638330	C. EL	330uF	16V
C10	VG278400	C. CE. TUBLR	220pF	50V
C11	VG278400	C. CE. TUBLR	220pF	50V
C12	VG278400	C. CE. TUBLR	220pF	50V
C13	VG278400	C. CE. TUBLR	220pF	50V
C14	VG278400	C. CE. TUBLR	220pF	50V
C15	VG278400	C. CE. TUBLR	220pF	50V
C16	VH053100	C. CE. TUBLR	0. 1uF	50V
C17	VF467300	C. CE. TUBLR	0. 01uF	16V
C18	VJ836900	C. EL	10uF	16V
C19	VJ839100	C. EL	1uF	50V
C20	VU545000	C. EL	47000uF	5. 5V
C21	VD930900	C. CE. SMI	0. 1uF	25V
C22	VH053100	C. CE. TUBLR	0. 1uF	50V
C23	VJ839100	C. EL	1uF	50V
C24	VH053100	C. CE. TUBLR	0. 1uF	50V
C25	UA655330	C. MYLAR	0. 33uF	50V
C26	VJ839200	C. EL	2. 2uF	50V
C27	VJ839200	C. EL	2. 2uF	50V
C28	VJ839000	C. EL	0. 47uF	50V
C29	VJ839000	C. EL	0. 47uF	50V
C30	VJ837200	C. EL	47uF	16V
C31	FG211470	C. CE	47pF	50V
C32	VJ839200	C. EL	2. 2uF	50V
C33	VJ839200	C. EL	2. 2uF	50V
C34	FG211470	C. CE	47pF	50V
C35	VJ837200	C. EL	47uF	16V
C36	UM407220	C. EL	22uF	25V
C37	UA655120	C. MYLAR	0. 12uF	50V
C38	UA654330	C. MYLAR	0. 033uF	50V
C39	UA654330	C. MYLAR	0. 033uF	50V
C40	UA655120	C. MYLAR	0. 12uF	50V
C41	UM407220	C. EL	22uF	25V
C42	UA652100	C. MYLAR	100pF	50V(G)
C43	UA652100	C. MYLAR	100pF	50V(G)

* New Parts

Schm Ref.	PART NO.	Description		
C44	VJ836300	C. EL	330uF	6. 3V
C201	VJ836300	C. EL	330uF	6. 3V
D1	VM974600	DIODE. ZENR	HZS7A2TD	7. 0V
D2	VM974200	DIODE. ZENR	HZS5C2TD	5. 0V
D3	VD631600	DIODE	1SS133, 176, HSS104	
D4	VD631600	DIODE	1SS133, 176, HSS104	
D5	VD631600	DIODE	1SS133, 176, HSS104	
D6	VD631600	DIODE	1SS133, 176, HSS104	
D8	VM974100	DIODE. ZENR	HZS5B2TD	5. 0V
D12	VD631600	DIODE	1SS133, 176, HSS104	
D13	VD631600	DIODE	1SS133, 176, HSS104	
D14	VD631600	DIODE	1SS133, 176, HSS104	
D15	VM974300	DIODE. ZENR	HZS6A2TD	6. 0V
G1	VR463400	TERM. GND	D3.5	TP00385
IC1	XH436A00	IC	LA7956	
IC3	XM356A00	IC	NJM2068LD	
* IC4	XT817A00	IC	M38172M4-203FP	
PJ1	VR110100	JACK. PIN	2P	
PJ2	VR110100	JACK. PIN	2P	
* PJ3	VV031700	JACK. PIN	3P	
* PJ4	VV031700	JACK. PIN	3P	
Q1	iC174020	TR	2SC1740S R, S	
Q2	iA093320	TR	2SA933S Q, R	
Q3	iC174020	TR	2SC1740S R, S	
Q4	VD678500	TR. DGT	DTA114ES	
Q5	iC287820	TR	2SC2878 A, B	
Q7	iC287820	TR	2SC2878 A, B	
Q8	iC287820	TR	2SC2878 A, B	
Q11	VD678500	TR. DGT	DTA114ES	
Q14	iA093320	TR	2SA933S Q, R	
Q15	iC287820	TR	2SC2878 A, B	
Q16	iC287820	TR	2SC2878 A, B	
Q17	iC1815C0	TR	2SC1815 Y	
Q18	iC1815C0	TR	2SC1815 Y	
Q19	iC174020	TR	2SC1740S R, S	
Q20	iC174020	TR	2SC1740S R, S	
R20	HV454470	R. CAR. FP	47 Ω	1/4W
R79	HV455100	R. CAR. FP	100 Ω	1/4W
R90	HV455100	R. CAR. FP	100 Ω	1/4W
SW1	VG392900	SW. TACT	SKHVAA	
SW2	VG392900	SW. TACT	SKHVAA	
SW3	VG392900	SW. TACT	SKHVAA	
SW4	VG392900	SW. TACT	SKHVAA	
SW5	VG392900	SW. TACT	SKHVAA	
SW7	VG392900	SW. TACT	SKHVAA	
SW8	VG392900	SW. TACT	SKHVAA	
SW9	VG392900	SW. TACT	SKHVAA	
SW10	VG392900	SW. TACT	SKHVAA	
SW11	VG392900	SW. TACT	SKHVAA	
SW12	VG392900	SW. TACT	SKHVAA	
SW13	VG392900	SW. TACT	SKHVAA	
SW14	VG392900	SW. TACT	SKHVAA	
SW15	VG392900	SW. TACT	SKHVAA	
SW16	VG392900	SW. TACT	SKHVAA	
SW21	VG392900	SW. TACT	SKHVAA	

* New Parts

RX-V393/R-V503 P.C.B. OPERATION & MAIN

Schm Ref.	PART NO.	Description	
SW22	VG392900	SW. TACT	SKHVAA
SW23	VG392900	SW. TACT	SKHVAA
SW24	VG392900	SW. TACT	SKHVAA
SW25	VG392900	SW. TACT	SKHVAA
SW26	VG392900	SW. TACT	SKHVAA
SW27	VG392900	SW. TACT	SKHVAA
SW28	VG392900	SW. TACT	SKHVAA
SW29	VG392900	SW. TACT	SKHVAA
SW30	VG392900	SW. TACT	SKHVAA
SW40	VG392900	SW. TACT	SKHVAA
U1	VU591000	L. DTCT	GPIU271X
V1	VV298800	FL. DSPLY	13-BT-151GK
VR2	VR043900	VR	A10KΩ
VR3	VR058000	VR	A10KΩ
VR4	VP741800	VR	B20KΩ
VR5	VP741900	VR	G25KΩ
VR6	VP742000	VR	MN100KΩ
XL1	VR891500	RSNR. CE	6. 30MHZ
	VJ828000	PIN	IMSA-6024-03E
	VQ859800	SHEET. FL	
	VV499900	SPACER	FL-T7. 5
*	VZ417100	P. C. B.	MAIN(C), RX-V393(U)
*	VZ417200	P. C. B.	MAIN(RT)
*	VZ417300	P. C. B.	MAIN(A)
*	VZ417400	P. C. B.	MAIN(G)
*	VZ432800	P. C. B.	MAIN:R-V503(U)
CB101	VF728300	CN	6P
CB102	VF728200	CN. BS. PIN	10P
CB103	VS839400	CN. BS. PIN	4P
CB104	VS839500	CN	4P
CB105	VG879900	CN. BS. PIN	2P
CB107	Vi878600	CN. BS. PIN	8P
CB108	VR428900	CN. BS. PIN	4P
CB109	VR428900	CN. BS. PIN	4P
CB111	VP206500	HOLDER. FUS	EYF-52BC
CB112	VP206500	HOLDER. FUS	EYF-52BC
CB113	VP206500	HOLDER. FUS	EYF-52BC(G)
CB114	VP206500	HOLDER. FUS	EYF-52BC(G)
CB115	VP206500	HOLDER. FUS	EYF-52BC(RT)
CB116	VP206500	HOLDER. FUS	EYF-52BC(RT)
CB117	VQ584900	CN. BS. PIN	7P
CB118	VQ584900	CN. BS. PIN	7P
CB119	Vi878100	CN. BS. PIN	3P
CB120	VD004700	CN. BS. PIN	4P
C101	UM416470	C. EL	4. 7uF 50V
C102	UM416470	C. EL	4. 7uF 50V
C103	UA652100	C. MYLAR	100pF 50V
C104	UA652100	C. MYLAR	100pF 50V
C105	FG212100	C. CE	100pF 50V
C106	FG212100	C. CE	100pF 50V
C107	UA653100	C. MYLAR	1000pF 50V
C108	UA653100	C. MYLAR	1000pF 50V

* New Parts

Schm Ref.	PART NO.	Description		
C109	VJ837200	C. EL	47uF	16V
C110	VJ837200	C. EL	47uF	16V
C111	VR516400	C. CE	15p	500V
C112	VR516400	C. CE	15p	500V
C113	UJ667470	C. EL	47uF	50V
C114	UJ667470	C. EL	47uF	50V
C115	VG291200	C. EL	47uF	50V
C116	VG291200	C. EL	47uF	50V
C117	VR325000	C. MYLAR	100pF	100V
C118	VR325000	C. MYLAR	100pF	100V
C119	VR325000	C. MYLAR	100pF	100V
C120	VR325000	C. MYLAR	100pF	100V
C121	UA654820	C. MYLAR	0. 082uF	50V
C122	UA654820	C. MYLAR	0. 082uF	50V
C123	UA655100	C. MYLAR	0. 1uF	50V
C124	UA655100	C. MYLAR	0. 1uF	50V
C125	UA654220	C. MYLAR	0. 022uF	50V
C126	UA654220	C. MYLAR	0. 022uF	50V
C127	UA652100	C. MYLAR	100pF	50V
C128	VS741700	C. CE. SAFTY	0. 01uF	275V
C129	VK182500	C. EL	330uF	63V
C131	UM416470	C. EL	4. 7uF	50V
C133	VC815000	C. EL	220uF	6. 3V
C134	UM416470	C. EL	4. 7uF	50V
C135	UM416470	C. EL	4. 7uF	50V
△ C136	Vi846000	C. EL	22uF	63V
C137	UM416470	C. EL	4. 7uF	50V
C138	UJ667470	C. EL	47uF	50V
C139	UJ667470	C. EL	47uF	50V
△ C140	VV951700	C. EL	6800uF	50V
△ C140	VV951800	C. EL	8200uF	56V(V503:U)
△ C141	VV951700	C. EL	6800uF	50V
△ C141	VV951800	C. EL	8200uF	56V(V503:U)
△ C142	VS745400	C. POL. MTL	0. 1uF	100V
△ C143	VS745400	C. POL. MTL	0. 1uF	100V
C144	UA653100	C. MYLAR	1000pF	50V
C145	FG214100	C. CE	0. 01uF	50V
C146	UA653100	C. MYLAR	1000pF	50V
C147	UA654100	C. MYLAR	0. 01uF	50V
△ C149	Ui377470	C. EL	47uF	63V(RT)
△ C149	VK457600	C. EL	330uF	25V(UCAG)
C150	UJ648220	C. EL	220uF	25V(RT)
C151	VJ836900	C. EL	10uF	16V(RT)
C152	UA654100	C. MYLAR	0. 01uF	50V(AG)
C153	UA654100	C. MYLAR	0. 01uF	50V(AG)
C154	UA654100	C. MYLAR	0. 01uF	50V(AG)
C156	UA654100	C. MYLAR	0. 01uF	50V(AG)
C157	UA654100	C. MYLAR	0. 01uF	50V(AG)
C158	UA654100	C. MYLAR	0. 01uF	50V(AG)
C159	UA654100	C. MYLAR	0. 01uF	50V(AG)
C161	UA654100	C. MYLAR	0. 01uF	50V(AG)
C162	UA654100	C. MYLAR	0. 01uF	50V(AG)
C164	UM416470	C. EL	4. 7uF	50V
C165	UK665470	C. EL	0. 47uF	50V
C171	UA654100	C. MYLAR	0. 01uF	50V(AG)

* New Parts

RX-V393/R-V503 P.C.B. MAIN & INPUT

Schm Ref.	PART NO.	Description
△ D101	VM008700	DIODE 1SS270A
D102	VM008700	DIODE 1SS270A
△ D105	VR253700	DIODE. BRG S1NB20 1A 200V(RT)
D106	VM976300	DIODE. ZENR HZS242TD 24V
D107	VM976300	DIODE. ZENR HZS242TD 24V
△ D108	VS997800	DIODE 1T2
D109	VM975900	DIODE. ZENR HZS162TD 16V
D110	VM975800	DIODE. ZENR HZS152TD 15V
△ D111	iH001090	DIODE. BRG S4VB20 2.6A 200V
D112	VD631600	DIODE 1SS133, 176, HSS104
△ D113	VS997800	DIODE 1T2(UCAG)
D114	VM975500	DIODE. ZENR HZS12A2TD 12V(RT)
D117	VD631600	DIODE 1SS133, 176, HSS104
△ F101	KB001660	FUSE T1.60A 250V(AG)
△ F101	VS823000	FUSE T5.0A 125V(UCRT)
△ F102	KB000690	FUSE T2.5A 250V(G)
△ F103	KB001660	FUSE T1.60A 250V(RT)
△ FR101	VK188400	R. FUS 330Ω 1/4W
△ FR102	VK188400	R. FUS 330Ω 1/4W
FR103	VK189000	R. FUS 1KΩ 1/4W
FR104	VK189000	R. FUS 1KΩ 1/4W
JK101	VY687200	JACK. PHONE JY-6317-02-030 NUT
△ JK102	VT915000	OUTLET. AC 2P(A)
△ JK102	VU543100	OUTLET. AC 2P(UCRT)
△ JK102	VU543400	OUTLET. AC 2P(G)
L103	VP575600	COIL 1.5uH
L104	VP575600	COIL 1.5uH
△ Q101	VP883000	TR 2SA893A D, E
△ Q102	VP883000	TR 2SA893A D, E
△ Q103	VP883000	TR 2SA893A D, E
△ Q104	VP883000	TR 2SA893A D, E
△ Q105	VR325600	TR 2SC2229 O, Y
△ Q106	VR325600	TR 2SC2229 O, Y
△ Q107	iC174020	TR 2SC1740S R, S
△ Q108	iC174020	TR 2SC1740S R, S
△ Q109	VP872700	TR 2SC4488 S, T
△ Q110	VP872700	TR 2SC4488 S, T
△ Q111	VP872600	TR 2SA1708 S, T
△ Q112	VP872600	TR 2SA1708 S, T
Q113	VP883100	TR 2SC1890A D, E
Q114	VP883100	TR 2SC1890A D, E
Q115	VP883000	TR 2SA893A D, E
Q116	iC174020	TR 2SC1740S R, S
Q117	iC174020	TR 2SC1740S R, S
Q118	iC287820	TR 2SC2878 A, B
Q119	iC174020	TR 2SC1740S R, S
△ Q120	iA101521	TR 2SA1015 Y
△ Q121	VN996900	TR 2SC4495
Q122	iC174020	TR 2SC1740S R, S
Q123	VP768300	TR 2SC4466 O, P, Y(RT)
Q124	VP883100	TR 2SC1890A D, E(RT)
Q127	VG722000	TR. DGT DTC144ES
△ Q128	VR402300	TR 2SB647 C, D
△ Q129A	iX615750	TR 2SA1694 O, P, Y
△ Q129C	iX615760	TR 2SC4467 O, P, Y

* New Parts

Schm Ref.	PART NO.	Description
△ Q130A	iX615750	TR 2SA1694 O, P, Y
△ Q130C	iX615760	TR 2SC4467 O, P, Y
△ R113	HV454470	R. CAR. FP 47Ω 1/4W
△ R114	HV454470	R. CAR. FP 47Ω 1/4W
△ R127	HV456270	R. CAR. FP 2.7KΩ 1/4W
R128	HV456270	R. CAR. FP 2.7KΩ 1/4W
R131	HV456100	R. CAR. FP 1KΩ 1/4W
R132	HV456100	R. CAR. FP 1KΩ 1/4W
R133	HV453470	R. CAR. FP 4.7Ω 1/4W
R134	HV453470	R. CAR. FP 4.7Ω 1/4W
R135	HV453470	R. CAR. FP 4.7Ω 1/4W
R136	HV453470	R. CAR. FP 4.7Ω 1/4W
△ R137	VU981700	R. MTL. PLAT 0.22Ω+0.22 3W
△ R138	VU981700	R. MTL. PLAT 0.22Ω+0.22 3W
△ R145	HL314100	R. MTL. OXD 10Ω 1W
△ R146	HL314100	R. MTL. OXD 10Ω 1W
R151	HV454100	R. CAR. FP 10Ω 1/4W
R152	HV454100	R. CAR. FP 10Ω 1/4W
R159	HL315330	R. MTL. OXD 330Ω 1W
R160	HL315330	R. MTL. OXD 330Ω 1W
△ R163	HL314470	R. MTL. OXD 47Ω 1W
△ R171	HL315680	R. MTL. OXD 680Ω 1W
R173	HV456100	R. CAR. FP 1KΩ 1/4W
△ R177	HV453100	R. CAR. FP 1Ω 1/4W
△ R178	HV454100	R. CAR. FP 10Ω 1/4W
△ R179	HV457100	R. CAR. FP 10KΩ 1/4W
R189	HL315680	R. MTL. OXD 680Ω 1W
R196	HV455100	R. CAR. FP 100Ω 1/4W
R201	HV456150	R. CAR. FP 1.5KΩ 1/4W
△ RY101	VK438300	RELAY DH24D2-OT/M2
△ RY102	VU398500	RELAY DC 1K1AF-12V(UCAG)
△ RY102	VY735300	RELAY DC G5P-1(RT)
△ SW101	VV523900	SW. PUSH PBS-YM-001
△ SW102	VA961800	VOLT. SELCT ESE-37247-F(RT)
△ SW103	VZ361100	SW. SLIDE SL13B-022-AMC1
△ T101	XQ485B00	TRANS. PWR (UC)
△ T101	XQ486B00	TRANS. PWR (AG)
△ T101	XT331A00	TRANS. PWR (RT)
△ TE101	VC313700	TERM. SP 8P(UCRTA)
△ TE101	VU819700	TERM. SP 8P(G)
	VJ828000	PIN IMSA-6024-03E
	BB071360	SCR. TERM 8.3x13
	VR264300	PLATE. GND
	VP753100	HEAT. SINK IC-1625-MML
	Ei330166	SCR. BND. HD 3x16 FCRM3-BL
	VY834500	SUPRT (RTAG)
* * * * *	VZ390900	P. C. B. INPUT(UC)
* * * * *	VZ391000	P. C. B. INPUT(RAGT)
CB1	Vi878300	CN. BS. PIN 5P
CB2	Vi878900	CN. BS. PIN 11P
CB3	VQ963600	CN. BS. PIN 15P
CB4	VQ962500	CN. BS. PIN 4P

* New Parts

RX-V393/R-V503 P.C.B. INPUT

Schm Ref.	PART NO.	Description		
CB5	VU272200	CN	22P	
CB6	VQ963600	CN. BS. PIN	15P	
CB7	Vi878500	CN. BS. PIN	7P	
CB8	VK024700	CN. BS. PIN	3P	
CB301	VK026600	CN. BS. PIN	7P	
CB302	VK026700	CN. BS. PIN	8P	
CB304	VQ961400	CN. BS. PIN	11P	
CB305	VK024900	CN. BS. PIN	5P	
CB306	VK027000	CN. BS. PIN	11P	
CB307	VK026200	CN. BS. PIN	3P	
CB308	VK025200	CN. BS. PIN	8P	
CB309	Vi878400	CN. BS. PIN	6P	
CB310	Vi878400	CN. BS. PIN	6P	
CB311	Vi878600	CN. BS. PIN	8P	
CB313	VK024900	CN. BS. PIN	5P	
CB314	Vi878100	CN. BS. PIN	3P	
CB315	Vi878100	CN. BS. PIN	3P	
CB316	VK024700	CN. BS. PIN	3P	
C1	VJ839100	C. EL	1uF	50V
C2	UA652100	C. MYLAR	100pF	50V
C3	UA652100	C. MYLAR	100pF	50V
C4	VJ839100	C. EL	1uF	50V
C5	FG212100	C. CE	100pF	50V
C6	UM417100	C. EL	10uF	50V
C7	UA652100	C. MYLAR	100pF	50V
C8	VJ839100	C. EL	1uF	50V
C9	UM417100	C. EL	10uF	50V
C10	VJ839100	C. EL	1uF	50V
C11	UM417100	C. EL	10uF	50V
C12	UA652100	C. MYLAR	100pF	50V
C13	UA652100	C. MYLAR	100pF	50V
C14	UA652100	C. MYLAR	100pF	50V
C15	UA655150	C. MYLAR	0.15uF	50V
C16	VF466800	C. CE. TUBLR	100pF	50V
C17	UM417100	C. EL	10uF	50V
C18	UM417100	C. EL	10uF	50V
C19	UM417100	C. EL	10uF	50V
C20	VF466800	C. CE. TUBLR	100pF	50V
C21	VF964800	C. EL	100uF	16V
C22	UM417100	C. EL	10uF	50V
C23	UM417100	C. EL	10uF	50V
C24	VF964800	C. EL	100uF	16V
C25	UA652680	C. MYLAR	680pF	50V
C26	UA652680	C. MYLAR	680pF	50V
C27	UM407220	C. EL	22uF	25V
C28	UM407220	C. EL	22uF	25V
C29	UM417100	C. EL	10uF	50V
C30	VG279600	C. CE. TUBLR	3300pF	16V
C31	VG278400	C. CE. TUBLR	220pF	50V
C32	VG278400	C. CE. TUBLR	220pF	50V
C33	VG279600	C. CE. TUBLR	3300pF	16V
C34	VG279900	C. CE. TUBLR	6800pF	16V
C35	VG278600	C. CE. TUBLR	330pF	50V
C36	VG279500	C. CE. TUBLR	2700pF	16V
C37	VG278600	C. CE. TUBLR	330pF	50V

*New Parts

Schm Ref.	PART NO.	Description		
C38	VG279500	C. CE. TUBLR	2700pF	16V
C39	VG279900	C. CE. TUBLR	6800pF	16V
C40	UA653470	C. MYLAR	4700pF	50V
C41	FG212330	C. CE	330pF	50V
C42	FG212330	C. CE	330pF	50V
C43	UA653470	C. MYLAR	4700pF	50V
C44	UM407220	C. EL	22uF	25V
C45	UM407220	C. EL	22uF	25V
C46	UA652330	C. MYLAR	330pF	50V
C47	UM407220	C. EL	22uF	25V
C48	UA652330	C. MYLAR	330pF	50V
C49	UA652330	C. MYLAR	330pF	50V
C50	UM407220	C. EL	22uF	25V
C51	VJ839100	C. EL	1uF	50V
C52	VG279500	C. CE. TUBLR	2700pF	16V
C53	VG279500	C. CE. TUBLR	2700pF	16V
C54	VJ839100	C. EL	1uF	50V
C55	VF466600	C. CE. TUBLR	10pF	50V
C56	VF466600	C. CE. TUBLR	10pF	50V
C58	UA654100	C. MYLAR	0.01uF	50V
C59	VF466800	C. CE. TUBLR	100pF	50V
C60	VF466800	C. CE. TUBLR	100pF	50V
C61	UA654100	C. MYLAR	0.01uF	50V
C63	UM407220	C. EL	22uF	25V
C64	UM407220	C. EL	22uF	25V
C65	VG277000	C. CE. TUBLR	33pF	50V
C66	VG277000	C. CE. TUBLR	33pF	50V
C67	VG277000	C. CE. TUBLR	33pF	50V
C68	VG277000	C. CE. TUBLR	33pF	50V
C69	UM407220	C. EL	22uF	25V
C70	UM407220	C. EL	22uF	25V
C71	VG279600	C. CE. TUBLR	3300pF	16V
C72	VG279600	C. CE. TUBLR	3300pF	16V
C73	VH053100	C. CE. TUBLR	0.1uF	50V
C74	VH053100	C. CE. TUBLR	0.1uF	50V
C75	VH053100	C. CE. TUBLR	0.1uF	50V
C76	UJ638330	C. EL	330uF	16V
C78	VJ837200	C. EL	47uF	16V
C79	VJ837200	C. EL	47uF	16V
C80	VF760000	C. EL	100uF	10V
C81	VH053100	C. CE. TUBLR	0.1uF	50V
C82	VF964800	C. EL	100uF	16V
C83	VE117600	C. EL	220uF	10V
C86	VH053100	C. CE. TUBLR	0.1uF	50V
C87	VJ837200	C. EL	47uF	16V
C88	VJ837200	C. EL	47uF	16V
C89	VJ837200	C. EL	47uF	16V
C90	VH053100	C. CE. TUBLR	0.1uF	50V
C91	VF466800	C. CE. TUBLR	100pF	50V
C93	VF466800	C. CE. TUBLR	100pF	50V
C94	VF466800	C. CE. TUBLR	100pF	50V
C301	VF760000	C. EL	100uF	10V
C302	UA652220	C. MYLAR	220pF	50V (RAGT)
C303	UA652220	C. MYLAR	220pF	50V
C304	UA652220	C. MYLAR	220pF	50V (RAGT)

*New Parts

RX-V393/R-V503 P.C.B. INPUT

Schm Ref.	PART NO.	Description		
C305	UA652220	C. MYLAR	220pF	50V
C306	VF760000	C. EL	100uF	10V
C307	UA652100	C. MYLAR	100pF	50V
C308	UA652100	C. MYLAR	100pF	50V
C309	VF466700	C. CE. TUBLR	47pF	50V
C310	VF466700	C. CE. TUBLR	47pF	50V
C311	VF466800	C. CE. TUBLR	100pF	50V
C312	VF466800	C. CE. TUBLR	100pF	50V
C313	VF466800	C. CE. TUBLR	100pF	50V
C314	VF466800	C. CE. TUBLR	100pF	50V
C315	VF466700	C. CE. TUBLR	47pF	50V
C316	VF466700	C. CE. TUBLR	47pF	50V
C319	UA652470	C. MYLAR	470pF	50V(UC)
C319	UA653100	C. MYLAR	1000pF	50V(RAGT)
C321	UA652470	C. MYLAR	470pF	50V(UC)
C321	UA653100	C. MYLAR	1000pF	50V(RAGT)
C323	VH053100	C. CE. TUBLR	0. 1uF	50V
△ C324	UJ668100	C. EL	100uF	50V
C325	UM417100	C. EL	10uF	50V
C326	VE117600	C. EL	220uF	10V
C327	FG212100	C. CE	100pF	50V
C328	Ui367220	C. EL	22uF	50V
C329	VH053100	C. CE. TUBLR	0. 1uF	50V
C330	VJ839200	C. EL	2. 2uF	50V
C331	UA653910	C. MYLAR	9100pF	50V
C332	UA654330	C. MYLAR	0. 033uF	50V
C333	UA653910	C. MYLAR	9100pF	50V
C334	UA654330	C. MYLAR	0. 033uF	50V
C335	VJ839200	C. EL	2. 2uF	50V
△ C336	UJ668100	C. EL	100uF	50V
C337	VJ839200	C. EL	2. 2uF	50V
C338	FG212220	C. CE	220pF	50V
C339	UA653330	C. MYLAR	3300pF	50V
C340	UH178100	C. EL	100uF	63V
C341	VJ837200	C. EL	47uF	16V
C342	VJ837200	C. EL	47uF	16V
C343	FH611220	C. CE	22pF	500V
C344	UM417100	C. EL	10uF	50V
C345	VF466800	C. CE. TUBLR	100pF	50V(RAGT)
C347	UM407220	C. EL	22uF	25V
C348	UM417100	C. EL	10uF	50V
C349	UM417100	C. EL	10uF	50V
C350	UM407220	C. EL	22uF	25V
C352	VF466800	C. CE. TUBLR	100pF	50V(RAGT)
C353	UM417100	C. EL	10uF	50V
C354	FG212100	C. CE	100pF	50V
C355	UA654100	C. MYLAR	0. 01uF	50V
C356	FG210500	C. CE	5pF	50V(RAGT)
C356	FG251220	C. CE	22pF	50V(UC)
C357	UJ668100	C. EL	100uF	50V
C358	VF466800	C. CE. TUBLR	100pF	50V
C359	FG212100	C. CE	100pF	50V
C360	FG212100	C. CE	100pF	50V
C361	VF466800	C. CE. TUBLR	100pF	50V
C362	UJ668100	C. EL	100uF	50V

Schm Ref.	PART NO.	Description		
C363	FG210500	C. CE	5pF	50V(RAGT)
C363	FG251220	C. CE	22pF	50V(UC)
C364	UA654100	C. MYLAR	0. 01uF	50V
C365	FG212100	C. CE	100pF	50V
C366	VF964800	C. EL	100uF	16V
C367	VF964800	C. EL	100uF	16V
C368	VJ839200	C. EL	2. 2uF	50V
C369	UA654470	C. MYLAR	0. 047uF	50V
C370	UA654470	C. MYLAR	0. 047uF	50V
C371	VR325000	C. MYLAR	100pF	100V
C372	VJ839100	C. EL	1uF	50V
C373	Ui367220	C. EL	22uF	50V
C374	VR325000	C. MYLAR	100pF	100V
C375	VJ839100	C. EL	1uF	50V
C376	UA654470	C. MYLAR	0. 047uF	50V
C377	VE117600	C. EL	220uF	10V
C378	UJ648100	C. EL	100uF	25V
△ C379	VL544800	C. EL	3300uF	35V
△ C380	VG289900	C. EL	2200uF	35V
C381	VG722100	C. EL	1uF	50V
C382	FG212470	C. CE	470pF	50V
C383	VD930900	C. CE. SMI	0. 1uF	25V
C384	FG244220	C. CE	0. 022uF	50V(RAGT)
C385	FG244220	C. CE	0. 022uF	50V(RAGT)
C386	FG214100	C. CE	0. 01uF	50V(RAGT)
C387	FG244220	C. CE	0. 022uF	50V(RAGT)
C388	FG214100	C. CE	0. 01uF	50V(RAGT)
C389	UA654470	C. MYLAR	0. 047uF	50V
C390	UA654470	C. MYLAR	0. 047uF	50V
C391	VH053100	C. CE. TUBLR	0. 1uF	50V
C392	VJ839200	C. EL	2. 2uF	50V
C394	VJ839200	C. EL	2. 2uF	50V
C395	UJ667470	C. EL	47uF	50V
* C396	VZ410500	C. EL	47uF	35V
C397	VJ839200	C. EL	2. 2uF	50V
C398	VJ839200	C. EL	2. 2uF	50V
C399	FG212100	C. CE	100pF	50V
C400	UA652220	C. MYLAR	220pF	50V
C401	UA652220	C. MYLAR	220pF	50V
C402	UA652220	C. MYLAR	220pF	50V
C403	VF466800	C. CE. TUBLR	100pF	50V(RAGT)
C404	VF466800	C. CE. TUBLR	100pF	50V(RAGT)
C405	VJ837200	C. EL	47uF	16V
C406	VJ837200	C. EL	47uF	16V
C407	VF466800	C. CE. TUBLR	100pF	50V(RAGT)
C408	UA652100	C. MYLAR	100pF	50V
C409	UA652100	C. MYLAR	100pF	50V
C410	FG211100	C. CE	10pF	50V
C411	FG211100	C. CE	10pF	50V
C412	FG211100	C. CE	10pF	50V
C413	UM417100	C. EL	10uF	50V
C414	UM417100	C. EL	10uF	50V
C415	UM417100	C. EL	10uF	50V
C416	UM417100	C. EL	10uF	50V
C417	VJ837200	C. EL	47uF	16V

* New Parts

* New Parts

RX-V393/R-V503 P.C.B. INPUT

Schm Ref.	PART NO.	Description		
C418	VJ837200	C. EL	47uF	16V
C419	UJ638470	C. EL	470uF	16V
C420	VG722100	C. EL	1uF	50V
C421	VH053100	C. CE. TUBLR	0.1uF	50V
C422	VF466900	C. CE. TUBLR	470pF	50V
C423	VF466900	C. CE. TUBLR	470pF	50V
C501	UJ638330	C. EL	330uF	16V
C502	VH053100	C. CE. TUBLR	0.1uF	50V
C503	VH053100	C. CE. TUBLR	0.1uF	50V
C504	VH053100	C. CE. TUBLR	0.1uF	50V
C505	VH053100	C. CE. TUBLR	0.1uF	50V
C506	VH053100	C. CE. TUBLR	0.1uF	50V
C507	VH053100	C. CE. TUBLR	0.1uF	50V
C508	VH053100	C. CE. TUBLR	0.1uF	50V
C601	VJ837200	C. EL	47uF	16V
D1	VD631600	DIODE	1SS133, 176, HSS104	
D3	VM975500	DIODE. ZENR	HZS12A2TD 12V	
D301	VM975500	DIODE. ZENR	HZS12A2TD 12V	
D302	VM975500	DIODE. ZENR	HZS12A2TD 12V	
D303	VM975500	DIODE. ZENR	HZS12A2TD 12V	
D304	VM975500	DIODE. ZENR	HZS12A2TD 12V	
D305	VD631600	DIODE	1SS133, 176, HSS104	
D306	VD631600	DIODE	1SS133, 176, HSS104	
D307	VD631600	DIODE	1SS133, 176, HSS104	
D308	VD631600	DIODE	1SS133, 176, HSS104	
D309	VN008700	DIODE	1SS270A	
D310	VM976300	DIODE. ZENR	HZS242TD 24V	
D311	VD631600	DIODE	1SS133, 176, HSS104	
D312	VD631600	DIODE	1SS133, 176, HSS104	
D313	VM974100	DIODE. ZENR	HZS5B2TD 5.0V	
D314	VV731400	DIODE	2A02M	
D315	VV731400	DIODE	2A02M	
D316	VV731400	DIODE	2A02M	
D317	VV731400	DIODE	2A02M	
D318	VM974200	DIODE. ZENR	HZS5C2TD 5.0V	
D319	VD631600	DIODE	1SS133, 176, HSS104	
D501	VS997800	DIODE	1T2	
IC1	XP896A00	IC	LC78213	
IC2	XB247301	IC	uPC4570HA	
IC3	XM356A00	IC	NJM2068LD	
IC4	XB247301	IC	uPC4570HA	
IC5	XB247301	IC	uPC4570HA	
IC6	XB247301	IC	uPC4570HA	
IC7	XB247301	IC	uPC4570HA	
IC8	XB247301	IC	uPC4570HA	
IC9	XB247301	IC	uPC4570HA	
IC10	XB247301	IC	uPC4570HA	
IC11	XQ212A00	IC	NJM4558LD	
IC12	XQ212A00	IC	NJM4558LD	
IC14	XA507A00	IC	AN78N05	
IC16	Xi022B00	IC	YSS203B-F	
IC17	XS881A00	IC	LH5P832D-10 PSRAM	
IC302	XM356A00	IC	NJM2068LD	
IC303	XP894A00	IC	LC78211	
IC304	iG092000	IC	M5220L	

* New Parts

Schm Ref.	PART NO.	Description		
IC305	XG505A00	IC	NJM79M15FA	
IC308	XB247301	IC	uPC4570HA	
IC309	XB247301	IC	uPC4570HA	
IC310	XF494A00	IC	LB1641	
L301	VP575600	COIL	1.5uH	
L302	VP575600	COIL	1.5uH	
L303	VP575600	COIL	1.5uH	
PJ1	VR765100	JACK. PIN	2P	
* PJ301	VZ410600	JACK. PIN	6P	
PJ302	VU857800	JACK. PIN	6P	
PJ305	VJ249500	JACK. PIN	4P	
Q1	VP872700	TR	2SC4488 S, T	
Q303	iC174020	TR	2SC1740S R, S	
Q304	iC174020	TR	2SC1740S R, S	
Q305	VP883000	TR	2SA893A D, E	
Q306	VP872700	TR	2SC4488 S, T	
Q307	VP872600	TR	2SA1708 S, T	
Q308	iC224030	TR	2SC2240 GR, BL	
Q309	iC224030	TR	2SC2240 GR, BL	
Q310	VP872600	TR	2SA1708 S, T	
Q311	VP872700	TR	2SC4488 S, T	
Q312	VV855300	TR	2SD856 Q, P	
Q313	VP883100	TR	2SC1890A D, E	
Q314	VV855300	TR	2SD856 Q, P	
Q315	VV855300	TR	2SD856 Q, P	
Q316	VP883100	TR	2SC1890A D, E	
Q317	VV855300	TR	2SD856 Q, P	
Q319	VP872700	TR	2SC4488 S, T	
Q320	iC174020	TR	2SC1740S R, S	
Q321	VP872600	TR	2SA1708 S, T	
Q322	VP883000	TR	2SA893A D, E	
Q323A	iX615750	TR	2SA1694 O, P, Y	
Q323C	iX615760	TR	2SC4467 O, P, Y	
Q324	VP883100	TR	2SC1890A D, E	
Q326	iC287820	TR	2SC2878 A, B	
Q327	iC287820	TR	2SC2878 A, B	
Q601	iC287820	TR	2SC2878 A, B	
Q602	iC287820	TR	2SC2878 A, B	
Q603	iC287820	TR	2SC2878 A, B	
Q604	iC287820	TR	2SC2878 A, B	
Q605	iC287820	TR	2SC2878 A, B	
R79	HV453220	R. CAR. FP	2.2Ω 1/4W	
R84	HL314470	R. MIL. OXD	47Ω 1W	
R85	HV453220	R. CAR. FP	2.2Ω 1/4W	
R86	HV453220	R. CAR. FP	2.2Ω 1/4W	
R87	HV453220	R. CAR. FP	2.2Ω 1/4W	
R88	HV453220	R. CAR. FP	2.2Ω 1/4W	
R95	HV453470	R. CAR. FP	4.7Ω 1/4W	
△ R353	HV454100	R. CAR. FP	10Ω 1/4W	
R360	HV455470	R. CAR. FP	470Ω 1/4W	
R365	HV455470	R. CAR. FP	470Ω 1/4W	
R370	HV455330	R. CAR. FP	330Ω 1/4W	
R376	HV455120	R. CAR. FP	120Ω 1/4W	
R377	HV455100	R. CAR. FP	100Ω 1/4W	
R378	HV455100	R. CAR. FP	100Ω 1/4W	

* New Parts

RX-V393/R-V503 P.C.B. INPUT, SELECT & TUNER

Schm Ref.	PART NO.	Description		
R379	HV455120	R. CAR. FP	120Ω	1/4W
R385	HV455330	R. CAR. FP	330Ω	1/4W
R386	HV456150	R. CAR. FP	1.5KΩ	1/4W
△ R387	VE869300	R. MTL. OXD	0.1Ω	2W
R389	HV454220	R. CAR. FP	22Ω	1/4W
R390	HV454220	R. CAR. FP	22Ω	1/4W
R392	HV456150	R. CAR. FP	1.5KΩ	1/4W
△ R394	VE869300	R. MTL. OXD	0.1Ω	2W
R398	HV454100	R. CAR. FP	10Ω	1/4W
△ R400	HV454100	R. CAR. FP	10Ω	1/4W
△ R401	VK188600	R. FUS	470Ω	1/4W
R402	HV456270	R. CAR. FP	2.7KΩ	1/4W
R403	HV455470	R. CAR. FP	470Ω	1/4W
R404	HV456820	R. CAR. FP	8.2KΩ	1/4W
R405	HV456150	R. CAR. FP	1.5KΩ	1/4W
R410	HV453470	R. CAR. FP	4.7Ω	1/4W
R412	HV457100	R. CAR. FP	10KΩ	1/4W
△ R415	VU981700	R. MTL. PLAT	0.22Ω+0.22	3W
R416	HV453470	R. CAR. FP	4.7Ω	1/4W
R417	HV454100	R. CAR. FP	10Ω	1/4W
R418	HL425820	R. MTL. OXD	820Ω	2W
R419	HV454100	R. CAR. FP	10Ω	1/4W
R420	HV454100	R. CAR. FP	10Ω	1/4W
R430	HV453220	R. CAR. FP	2.2Ω	1/4W
R433	HV454100	R. CAR. FP	10Ω	1/4W
R434	HL314220	R. MTL. OXD	22Ω	1W
R455	HV453470	R. CAR. FP	4.7Ω	1/4W
R456	HV453470	R. CAR. FP	4.7Ω	1/4W
R457	HV454100	R. CAR. FP	10Ω	1/4W
R458	HV454100	R. CAR. FP	10Ω	1/4W
R501	HL314220	R. MTL. OXD	22Ω	1W
R504	HV454100	R. CAR. FP	10Ω	1/4W
R505	HV454100	R. CAR. FP	10Ω	1/4W
R506	HL314220	R. MTL. OXD	22Ω	1W
△ RY301	VU566700	RELAY	DG24D2-OS/M	
△ TE301	VS578600	TERM. SP	8P	
VR301	VV412800	VR	A100KΩ	
XL1	VK175200	RSNR. CE	11.28MHz	
	VJ828000	PIN	IMS-6024-03E	
	BB071360	SCR. TERM	8.3x13	
	VZ520600	P. C. B.	SELECT	
CB701	VQ961800	CN. BS. PIN	15P	
CB702	VF667600	CN. BS. PIN	15P	
CB703	Vi878900	CN. BS. PIN	11P	
CB704	VQ960700	CN	4P	
C701	VH053100	C. CE. TUBLR	0.1uF	50V
C702	VH053100	C. CE. TUBLR	0.1uF	50V
IC701	XP896A00	IC	LC78213	

* New Parts

Schm Ref.	PART NO.	Description		
	VV610200	P. C. B.	TUNER (UC)	
	VV610300	P. C. B.	TUNER (RT)	
	VV610400	P. C. B.	TUNER (AG)	
CB4	VQ961800	CN. BS. PIN	15P	
C1	VG287800	C. EL	330uF	16V
C3	UB050800	C. CE. M. CHP	8pF	50V
C4	VG291200	C. EL	47uF	50V
C5	UB044100	C. CE. M. CHP	0.01uF	50V
C6	VG288900	C. EL	100uF	25V
C7	VJ839100	C. EL	1uF	50V
C8	UB044100	C. CE. M. CHP	0.01uF	50V
C9	UB044100	C. CE. M. CHP	0.01uF	50V
C10	UB044100	C. CE. M. CHP	0.01uF	50V
C11	UB013100	C. CE. M. CHP	1000pF	50V
C12	VJ836900	C. EL	10uF	16V
C13	VJ836900	C. EL	10uF	16V
C14	UB052100	C. CE. M. CHP	100pF	50V
C15	UB013100	C. CE. M. CHP	1000pF	50V
C16	UB051470	C. CE. M. CHP	47pF	50V
C17	VG291200	C. EL	47uF	50V
C19	VA761200	C. CE	33pF	50V
C20	VG291200	C. EL	47uF	50V
C21	UB044470	C. CE. M. CHP	0.047uF	50V
C22	UM216330	C. EL	3.3uF	50V
C23	UB044100	C. CE. M. CHP	0.01uF	50V
C24	UM416470	C. EL	4.7uF	50V
C25	UM216330	C. EL	3.3uF	50V
C26	VJ836900	C. EL	10uF	16V
C27	UB044100	C. CE. M. CHP	0.01uF	50V
C28	VA761200	C. CE	33pF	50V
C29	VJ839100	C. EL	1uF	50V
C30	VJ839100	C. EL	1uF	50V
C31	VG291200	C. EL	47uF	50V
C32	VJ839000	C. EL	0.47uF	50V
C33	VJ839100	C. EL	1uF	50V
C34	UA654470	C. MYLAR	0.047uF	50V
C35	UM216330	C. EL	3.3uF	50V
C36	UA652470	C. MYLAR	470pF	50V (AG)
C36	UA653100	C. MYLAR	1000pF	50V (UCRT)
C37	UA652470	C. MYLAR	470pF	50V (AG)
C37	UA653100	C. MYLAR	1000pF	50V (UCRT)
C38	UB012470	C. CE. M. CHP	470pF	50V
C39	VJ836900	C. EL	10uF	16V
C40	UM216330	C. EL	3.3uF	50V
C41	UA653390	C. MYLAR	3900pF	50V
C42	UM407220	C. EL	22uF	25V
C43	UA653390	C. MYLAR	3900pF	50V
C44	UM216330	C. EL	3.3uF	50V
C45	VG291200	C. EL	47uF	50V
C46	VG291200	C. EL	47uF	50V
C49	UA652120	C. MYLAR	120pF	50V (AG)
C49	UA652470	C. MYLAR	470pF	50V (UCRT)
C50	UB044470	C. CE. M. CHP	0.047uF	50V
D1	VT332900	DIODE	1SS355	
D2	VT332900	DIODE	1SS355	

* New Parts

RX-V393/R-V503 P.C.B. TUNER

Schm Ref.	PART NO.	Description	
D3	VU993100	DIODE. ZENR	MA8056-H 5.8V
Fi1	GG000560	FLTR. CE	SFE10. 7MS3GHY-A
Fi2	GG000560	FLTR. CE	SFE10. 7MS3GHY-A
Fi3	VC219000	FLTR. CE	SFZ450JL3
IC1	XB760A00	IC	LA1266
IC2	XQ944A00	IC	LC72131
IC3	iG158100	IC	LA3401
L1	VU889500	COIL	220uH
L2	VU889500	COIL	220uH
L3	VU889500	COIL	220uH
PK1	VQ987600	TUNER. PK	EXV-17296G1 (AG)
PK1	VR242200	TUNER. PK	EXV-17296G1 (UCRT)
PK2	VU333700	COIL. RF. AM	940536051A
Q1	iC053540	TR	2SC535 A, B, C
Q2	iC053540	TR	2SC535 A, B, C
Q3	VD678500	TR. DGT	DTA114ES
Q4	VC218900	TR	2SC3330 R, S, T
Q5	VG722000	TR. DGT	DTC144ES
Q6	iC1815C0	TR	2SC1815 Y
Q7	VD678500	TR. DGT	DTA114ES
R2	RD257100	R. CAR. CHP	10KΩ 1/10W
R3	RD258100	R. CAR. CHP	100KΩ 1/10W
R4	RD257100	R. CAR. CHP	10KΩ 1/10W
R5	RD256100	R. CAR. CHP	1KΩ 1/10W
R6	RD255220	R. CAR. CHP	220Ω 1/10W
R7	RD255330	R. CAR. CHP	330Ω 1/10W
R8	RD255100	R. CAR. CHP	100Ω 1/10W
R9	RD255220	R. CAR. CHP	220Ω 1/10W
R10	RD257100	R. CAR. CHP	10KΩ 1/10W
R11	RD255470	R. CAR. CHP	470Ω 1/10W
R12	RD255220	R. CAR. CHP	220Ω 1/10W
R14	RD256330	R. CAR. CHP	3.3KΩ 1/10W
R15	RD256220	R. CAR. CHP	2.2KΩ 1/10W
R16	RD256330	R. CAR. CHP	3.3KΩ 1/10W
R17	RD256680	R. CAR. CHP	6.8KΩ 1/10W
R18	RD257100	R. CAR. CHP	10KΩ 1/10W
R19	RD257220	R. CAR. CHP	22KΩ 1/10W
R20	RD256120	R. CAR. CHP	1.2KΩ 1/10W
R21	RD257100	R. CAR. CHP	10KΩ 1/10W
R22	RD257100	R. CAR. CHP	10KΩ 1/10W
R23	RD257470	R. CAR. CHP	47KΩ 1/10W
R24	RD257100	R. CAR. CHP	10KΩ 1/10W
R25	RD257150	R. CAR. CHP	15KΩ 1/10W
R26	RD254220	R. CAR. CHP	22Ω 1/10W
R27	RD257220	R. CAR. CHP	22KΩ 1/10W
R28	RD256470	R. CAR. CHP	4.7KΩ 1/10W
R29	RD256560	R. CAR. CHP	5.6KΩ 1/10W
R30	RD257100	R. CAR. CHP	10KΩ 1/10W
R31	RD257470	R. CAR. CHP	47KΩ 1/10W
R32	RD257220	R. CAR. CHP	22KΩ 1/10W
R33	RD256330	R. CAR. CHP	3.3KΩ 1/10W
R34	RD257100	R. CAR. CHP	10KΩ 1/10W
R35	RD257470	R. CAR. CHP	47KΩ 1/10W
R36	RD257750	R. CAR. CHP	75KΩ 1/10W (UCRT)
R36	RD258100	R. CAR. CHP	100KΩ 1/10W (AG)

* New Parts

Schm Ref.	PART NO.	Description	
R37	RD257750	R. CAR. CHP	75KΩ 1/10W (UCRT)
R37	RD258100	R. CAR. CHP	100KΩ 1/10W (AG)
R38	RD257100	R. CAR. CHP	10KΩ 1/10W
R39	RD257220	R. CAR. CHP	22KΩ 1/10W
R40	RD257470	R. CAR. CHP	47KΩ 1/10W
R41	RD256220	R. CAR. CHP	2.2KΩ 1/10W
R42	RD256220	R. CAR. CHP	2.2KΩ 1/10W
R43	RD257100	R. CAR. CHP	10KΩ 1/10W
R44	RD256470	R. CAR. CHP	4.7KΩ 1/10W
R45	RD255100	R. CAR. CHP	100Ω 1/10W
R46	RD256470	R. CAR. CHP	4.7KΩ 1/10W
R47	RD256470	R. CAR. CHP	4.7KΩ 1/10W
R48	RD256470	R. CAR. CHP	4.7KΩ 1/10W (AG)
R49	RD257100	R. CAR. CHP	10KΩ 1/10W
R57	RD256100	R. CAR. CHP	1KΩ 1/10W (AG)
R57	RD257220	R. CAR. CHP	22KΩ 1/10W (UCRT)
SW1	VS602600	SW. SLIDE	SS070-P022 A (RT)
T1	VC218600	COIL. DT. FM	10.7MHz
T2	VR895700	COIL. IF	450KHz
T3	VT486800	COIL	XYA2 (AG)
T4	VQ138200	FLTR. LC	19KHz
T5	VQ138200	FLTR. LC	19KHz
TE1	VU477800	TERM. ANT	AJ-2038-040
TP1	VT969000	PIN. TEST	IRS-2049
TP2	VT969000	PIN. TEST	IRS-2049
VR1	VJ694000	VR. TRIM	B47KΩ
VR2	VJ694000	VR. TRIM	B47KΩ
XL1	QU003800	RSNR. CRYST	7.2MHz
XL2	GG000750	RSNR. CE	18.95KHz
	BB071360	SCR. TERM	8.3x13
	VR282500	PLATE	ANT.

* New Parts

RX-V493/R-V703 P.C.B. OPERATION

Schm Ref.	PART NO.	Description		
*	VZ381500	P. C. B.	OPERATION(UC)	
*	VZ381600	P. C. B.	OPERATION(RT)	
*	VZ381700	P. C. B.	OPERATION(A)	
*	VZ381800	P. C. B.	OPERATION(G)	
CB1	Vi878100	CN. BS. PIN	3P	
CB2	Vi878100	CN. BS. PIN	3P	
CB3	VQ963200	CN. BS. PIN	11P	
CB4	Vi879300	CN. BS. PIN	15P	
CB5	Vi878800	CN. BS. PIN	10P	
CB6	VU272200	CN	22P	
CB7	Vi878400	CN. BS. PIN	6P	
CB9	Vi878300	CN. BS. PIN	5P	
CB10	VK027000	CN. BS. PIN	11P	
C1	VF466800	C. CE. TUBLR	100pF	50V
C2	VF466800	C. CE. TUBLR	100pF	50V
C3	UR829100	C. EL	1000uF	10V
C4	VJ836900	C. EL	10uF	16V
C5	VJ836900	C. EL	10uF	16V
C6	VJ836900	C. EL	10uF	16V
C7	UR829100	C. EL	1000uF	10V
C8	VH053100	C. CE. TUBLR	0. 1uF	50V
C9	UJ638330	C. EL	330uF	16V
C10	VG278400	C. CE. TUBLR	220pF	50V
C11	VG278400	C. CE. TUBLR	220pF	50V
C12	VG278400	C. CE. TUBLR	220pF	50V
C13	VG278400	C. CE. TUBLR	220pF	50V
C14	VG278400	C. CE. TUBLR	220pF	50V
C15	VG278400	C. CE. TUBLR	220pF	50V
C16	VH053100	C. CE. TUBLR	0. 1uF	50V
C17	VF467300	C. CE. TUBLR	0. 01uF	16V
C18	VJ836900	C. EL	10uF	16V
C19	VJ839100	C. EL	1uF	50V
C20	VU545000	C. EL	47000uF	5. 5V
C21	VD930900	C. CE. SMI	0. 1uF	25V
C22	VH053100	C. CE. TUBLR	0. 1uF	50V
C23	VJ839100	C. EL	1uF	50V
C24	VH053100	C. CE. TUBLR	0. 1uF	50V
C25	UA655330	C. MYLAR	0. 33uF	50V
C26	VJ839200	C. EL	2. 2uF	50V
C27	VJ839200	C. EL	2. 2uF	50V
C28	VJ839000	C. EL	0. 47uF	50V
C29	VJ839000	C. EL	0. 47uF	50V
C30	VJ837200	C. EL	47uF	16V
C31	FG211470	C. CE	47pF	50V
C32	VJ839200	C. EL	2. 2uF	50V
C33	VJ839200	C. EL	2. 2uF	50V
C34	FG211470	C. CE	47pF	50V
C35	VJ837200	C. EL	47uF	16V
C36	UM407220	C. EL	22uF	25V
C37	UA655120	C. MYLAR	0. 12uF	50V
C38	UA654330	C. MYLAR	0. 033uF	50V
C39	UA654330	C. MYLAR	0. 033uF	50V
C40	UA655120	C. MYLAR	0. 12uF	50V
C41	UM407220	C. EL	22uF	25V
C42	UA652100	C. MYLAR	100pF	50V(G)
C43	UA652100	C. MYLAR	100pF	50V(G)

* New Parts

Schm Ref.	PART NO.	Description		
C44	VJ836300	C. EL	330uF	6. 3V
C201	VJ836300	C. EL	330uF	6. 3V
D1	VM974600	DIODE. ZENR	HZS7A2TD	7. 0V
D2	VM974200	DIODE. ZENR	HZSSC2TD	5. 0V
D3	VD631600	DIODE	1SS133, 176, HSS104	
D4	VD631600	DIODE	1SS133, 176, HSS104	
D5	VD631600	DIODE	1SS133, 176, HSS104	
D6	VD631600	DIODE	1SS133, 176, HSS104	
D8	VM974100	DIODE. ZENR	HZSSB2TD	5. 0V
D12	VD631600	DIODE	1SS133, 176, HSS104	
D13	VD631600	DIODE	1SS133, 176, HSS104	
D14	VD631600	DIODE	1SS133, 176, HSS104	
D15	VM974300	DIODE. ZENR	HZS6A2TD	6. 0V
G1	VR463400	TERM. GND	D3. 5	TP00385
IC1	XH436A00	IC	LA7956	
IC3	XM356A00	IC	NJM2068LD	
* IC4	XT817A00	IC	M38172M4-203FP	
PJ1	VJ695900	JACK. PIN	3P	
PJ2	VR110100	JACK. PIN	2P	
* PJ3	VV031700	JACK. PIN	3P	
* PJ4	VV031700	JACK. PIN	3P	
Q1	iC174020	TR	2SC1740S R, S	
Q2	iA093320	TR	2SA933S Q, R	
Q3	iC174020	TR	2SC1740S R, S	
Q4	VD678500	TR. DGT	DTA114ES	
Q5	iC287820	TR	2SC2878 A, B	
Q7	iC287820	TR	2SC2878 A, B	
Q8	iC287820	TR	2SC2878 A, B	
Q11	VD678500	TR. DGT	DTA114ES	
Q14	iA093320	TR	2SA933S Q, R	
Q15	iC287820	TR	2SC2878 A, B	
Q16	iC287820	TR	2SC2878 A, B	
Q17	iC1815C0	TR	2SC1815 Y	
Q18	iC1815C0	TR	2SC1815 Y	
Q19	iC174020	TR	2SC1740S R, S	
Q20	iC174020	TR	2SC1740S R, S	
R20	HV454470	R. CAR. FP	47 Ω	1/4W
R79	HV455100	R. CAR. FP	100 Ω	1/4W
R90	HV455100	R. CAR. FP	100 Ω	1/4W
SW1	VG392900	SW. TACT	SKHVAA	
SW2	VG392900	SW. TACT	SKHVAA	
SW3	VG392900	SW. TACT	SKHVAA	
SW4	VG392900	SW. TACT	SKHVAA	
SW5	VG392900	SW. TACT	SKHVAA	
SW6	VG392900	SW. TACT	SKHVAA	
SW7	VG392900	SW. TACT	SKHVAA	
SW8	VG392900	SW. TACT	SKHVAA	
SW9	VG392900	SW. TACT	SKHVAA	
SW10	VG392900	SW. TACT	SKHVAA	
SW11	VG392900	SW. TACT	SKHVAA	
SW12	VG392900	SW. TACT	SKHVAA	
SW13	VG392900	SW. TACT	SKHVAA	
SW14	VG392900	SW. TACT	SKHVAA	
SW15	VG392900	SW. TACT	SKHVAA	
SW16	VG392900	SW. TACT	SKHVAA	
SW21	VG392900	SW. TACT	SKHVAA	

* New Parts

RX-V493/R-V703 P.C.B. OPERATION & MAIN

Schm Ref.	PART NO.	Description	
SW22	VG392900	SW. TACT	SKHVAA
SW23	VG392900	SW. TACT	SKHVAA
SW24	VG392900	SW. TACT	SKHVAA
SW25	VG392900	SW. TACT	SKHVAA
SW26	VG392900	SW. TACT	SKHVAA
SW27	VG392900	SW. TACT	SKHVAA
SW28	VG392900	SW. TACT	SKHVAA
SW29	VG392900	SW. TACT	SKHVAA
SW30	VG392900	SW. TACT	SKHVAA
SW31	VG392900	SW. TACT	SKHVAA
SW32	VG392900	SW. TACT	SKHVAA
SW33	VG392900	SW. TACT	SKHVAA
SW34	VG392900	SW. TACT	SKHVAA
SW35	VG392900	SW. TACT	SKHVAA
SW36	VG392900	SW. TACT	SKHVAA
SW37	VG392900	SW. TACT	SKHVAA
SW38	VG392900	SW. TACT	SKHVAA
SW39	VG392900	SW. TACT	SKHVAA
SW40	VG392900	SW. TACT	SKHVAA
U1	VU591000	L. DTCT	GPIU271X
V1	VV298800	FL. DSPLY	13-BT-151GK
VR4	VP741800	VR	B20KΩ
VR5	VP741900	VR	G25KΩ
VR6	VP742000	VR	MN100KΩ
XL1	VR891500	RSNR. CE	6.30MHz
	VJ828000	PIN	IMS-6024-03E
	VQ859800	SHEET. FL	
	VV499900	SPACER	FL-T7.5
* * * *	VZ416500	P. C. B.	MAIN(UC)
	VZ416600	P. C. B.	MAIN(RT)
	VZ416700	P. C. B.	MAIN(A)
	VZ416800	P. C. B.	MAIN(G)
CB101	VF728300	CN	6P
CB102	VF728200	CN. BS. PIN	10P
CB103	VS839400	CN. BS. PIN	4P
CB104	VS839500	CN	4P
CB105	VG879900	CN. BS. PIN	2P
CB107	Vi878600	CN. BS. PIN	8P
CB108	VR428900	CN. BS. PIN	4P
CB109	VR428900	CN. BS. PIN	4P
CB111	VP206500	HOLDER. FUS	EYF-52BC
CB112	VP206500	HOLDER. FUS	EYF-52BC
CB113	VP206500	HOLDER. FUS	EYF-52BC(G)
CB114	VP206500	HOLDER. FUS	EYF-52BC(G)
CB115	VP206500	HOLDER. FUS	EYF-52BC(RT)
CB116	VP206500	HOLDER. FUS	EYF-52BC(RT)
CB117	VQ584900	CN. BS. PIN	7P
CB118	VQ584900	CN. BS. PIN	7P
CB119	Vi878100	CN. BS. PIN	3P
CB120	VD004700	CN. BS. PIN	4P
C101	UM416470	C. EL	4.7uF 50V
C102	UM416470	C. EL	4.7uF 50V
C103	UA652100	C. MYLAR	100pF 50V

* New Parts

Schm Ref.	PART NO.	Description		
C104	UA652100	C. MYLAR	100pF	50V
C105	FG212100	C. CE	100pF	50V
C106	FG212100	C. CE	100pF	50V
C107	UA653100	C. MYLAR	1000pF	50V
C108	UA653100	C. MYLAR	1000pF	50V
C109	VJ837200	C. EL	47uF	16V
C110	VJ837200	C. EL	47uF	16V
C111	VR516400	C. CE	15p	500V
C112	VR516400	C. CE	15p	500V
C113	UJ667470	C. EL	47uF	50V
C114	UJ667470	C. EL	47uF	50V
C115	VG291200	C. EL	47uF	50V
C116	VG291200	C. EL	47uF	50V
C117	VR325000	C. MYLAR	100pF	100V
C118	VR325000	C. MYLAR	100pF	100V
C119	VR325000	C. MYLAR	100pF	100V
C120	VR325000	C. MYLAR	100pF	100V
C121	UA654820	C. MYLAR	0.082uF	50V
C122	UA654820	C. MYLAR	0.082uF	50V
C123	UA655100	C. MYLAR	0.1uF	50V
C124	UA655100	C. MYLAR	0.1uF	50V
C125	UA654220	C. MYLAR	0.022uF	50V
C126	UA654220	C. MYLAR	0.022uF	50V
C127	UA652100	C. MYLAR	100pF	50V
C128	VS741700	C. CE. SAFTY	0.01uF	275V
C129	VK182500	C. EL	330uF	63V
C131	UM416470	C. EL	4.7uF	50V
C133	VC815000	C. EL	220uF	6.3V
C134	UM416470	C. EL	4.7uF	50V
C135	UM416470	C. EL	4.7uF	50V
△ C136	Vi846000	C. EL	22uF	63V
C137	UM416470	C. EL	4.7uF	50V
C138	UJ667470	C. EL	47uF	50V
C139	UJ667470	C. EL	47uF	50V
△ C140	VV951800	C. EL	8200uF	56V
△ C141	VV951800	C. EL	8200uF	56V
△ C142	VS745400	C. POL. MTL	0.1uF	100V
△ C143	VS745400	C. POL. MTL	0.1uF	100V
C144	UA653100	C. MYLAR	1000pF	50V
C145	FG214100	C. CE	0.01uF	50V
C146	UA653100	C. MYLAR	1000pF	50V
C147	UA654100	C. MYLAR	0.01uF	50V
△ C149	Ui377470	C. EL	47uF	63V(RT)
△ C149	VK457600	C. EL	330uF	25V(UCAG)
C150	UJ648220	C. EL	220uF	25V(RT)
C151	VJ836900	C. EL	10uF	16V(RT)
C152	UA654100	C. MYLAR	0.01uF	50V(AG)
C153	UA654100	C. MYLAR	0.01uF	50V(AG)
C154	UA654100	C. MYLAR	0.01uF	50V(AG)
C156	UA654100	C. MYLAR	0.01uF	50V(AG)
C157	UA654100	C. MYLAR	0.01uF	50V(AG)
C158	UA654100	C. MYLAR	0.01uF	50V(AG)
C159	UA654100	C. MYLAR	0.01uF	50V(AG)
C161	UA654100	C. MYLAR	0.01uF	50V(AG)
C162	UA654100	C. MYLAR	0.01uF	50V(AG)
C164	UM416470	C. EL	4.7uF	50V

* New Parts

RX-V493/R-V703 P.C.B. MAIN & INPUT

Schm Ref.	PART NO.	Description
△ C165	UK665470	C. EL 0.47uF 50V
△ C171	UA654100	C. MYLAR 0.01uF 50V(AG)
△ D101	VN008700	DIODE 1SS270A
△ D102	VN008700	DIODE 1SS270A
△ D105	VR253700	DIODE.BRG S1NB20 1A 200V(RT)
△ D106	VM976300	DIODE.ZENR HZS242TD 24V
△ D107	VM976300	DIODE.ZENR HZS242TD 24V
△ D108	VS997800	DIODE 1T2
△ D109	VM975900	DIODE.ZENR HZS162TD 16V
△ D110	VM975800	DIODE.ZENR HZS152TD 15V
△ D111	iH001090	DIODE.BRG S4VB20 2.6A 200V
△ D112	VD631600	DIODE 1SS133, 176, HSS104
△ D113	VS997800	DIODE 1T2(UCAG)
△ D114	VM975500	DIODE.ZENR HZS12A2TD 12V(RT)
△ D117	VD631600	DIODE 1SS133, 176, HSS104
△ F101	KB001660	FUSE T1.60A 250V(AG)
△ F101	VS823000	FUSE T5.0A 125V(UCRT)
△ F102	KB000690	FUSE T2.5A 250V(G)
△ F103	KB001660	FUSE T1.60A 250V(RT)
△ FR101	VK188400	R. FUS 330Ω 1/4W
△ FR102	VK188400	R. FUS 330Ω 1/4W
△ FR103	VK189000	R. FUS 1KΩ 1/4W
△ FR104	VK189000	R. FUS 1KΩ 1/4W
△ JK101	VY687200	JACK.PHONE JY-6317-02-030 NUT
△ JK102	VT915000	OUTLET.AC 2P(A)
△ JK102	VU543100	OUTLET.AC 2P(UCRT)
△ JK102	VU543400	OUTLET.AC 2P(G)
△ L103	VP575600	COIL 1.5uH
△ L104	VP575600	COIL 1.5uH
△ Q101	VP883000	TR 2SA893A D, E
△ Q102	VP883000	TR 2SA893A D, E
△ Q103	VP883000	TR 2SA893A D, E
△ Q104	VP883000	TR 2SA893A D, E
△ Q105	VR325600	TR 2SC2229 O, Y
△ Q106	VR325600	TR 2SC2229 O, Y
△ Q107	iC174020	TR 2SC1740S R, S
△ Q108	iC174020	TR 2SC1740S R, S
△ Q109	VP872700	TR 2SC4488 S, T
△ Q110	VP872700	TR 2SC4488 S, T
△ Q111	VP872600	TR 2SA1708 S, T
△ Q112	VP872600	TR 2SA1708 S, T
△ Q113	VP883100	TR 2SC1890A D, E
△ Q114	VP883100	TR 2SC1890A D, E
△ Q115	VP883000	TR 2SA893A D, E
△ Q116	iC174020	TR 2SC1740S R, S
△ Q117	iC174020	TR 2SC1740S R, S
△ Q118	iC287820	TR 2SC2878 A, B
△ Q119	iC174020	TR 2SC1740S R, S
△ Q120	iA101521	TR 2SA1015 Y
△ Q121	VN996900	TR 2SC4495
△ Q122	iC174020	TR 2SC1740S R, S
△ Q123	VP768300	TR 2SC4466 O, P, Y(RT)
△ Q124	VP883100	TR 2SC1890A D, E(RT)
△ Q127	VG722000	TR.DGT DTC144ES
△ Q128	VR402300	TR 2SB647 C, D
△ Q129A	iX630850	TR 2SA1695 O, P, Y

* New Parts

Schm Ref.	PART NO.	Description
△ Q129C	iX630860	TR 2SC4468 O, P, Y
△ Q130A	iX630850	TR 2SA1695 O, P, Y
△ Q130C	iX630860	TR 2SC4468 O, P, Y
△ R113	HV454470	R. CAR. FP 47Ω 1/4W
△ R114	HV454470	R. CAR. FP 47Ω 1/4W
△ R127	HV456270	R. CAR. FP 2.7KΩ 1/4W
△ R128	HV456270	R. CAR. FP 2.7KΩ 1/4W
△ R131	HV456100	R. CAR. FP 1KΩ 1/4W
△ R132	HV456100	R. CAR. FP 1KΩ 1/4W
△ R133	HV453470	R. CAR. FP 4.7Ω 1/4W
△ R134	HV453470	R. CAR. FP 4.7Ω 1/4W
△ R135	HV453470	R. CAR. FP 4.7Ω 1/4W
△ R136	HV453470	R. CAR. FP 4.7Ω 1/4W
△ R137	VU981700	R. MTL. PLAT 0.22Ω+0.22 3W
△ R138	VU981700	R. MTL. PLAT 0.22Ω+0.22 3W
△ R145	HL314100	R. MTL. OXD 10Ω 1W
△ R146	HL314100	R. MTL. OXD 10Ω 1W
△ R151	HV454100	R. CAR. FP 10Ω 1/4W
△ R152	HV454100	R. CAR. FP 10Ω 1/4W
△ R159	HL315330	R. MTL. OXD 330Ω 1W
△ R160	HL315330	R. MTL. OXD 330Ω 1W
△ R163	HL314470	R. MTL. OXD 47Ω 1W
△ R171	HL315680	R. MTL. OXD 680Ω 1W
△ R173	HV456100	R. CAR. FP 1KΩ 1/4W
△ R177	HV453100	R. CAR. FP 1Ω 1/4W
△ R178	HV454100	R. CAR. FP 10Ω 1/4W
△ R179	HV457100	R. CAR. FP 10KΩ 1/4W
△ R189	HL315680	R. MTL. OXD 680Ω 1W
△ R196	HV455100	R. CAR. FP 100Ω 1/4W
△ R201	HV456150	R. CAR. FP 1.5KΩ 1/4W
△ RY101	VK438300	RELAY DH24D2-0T/M2
△ RY102	VU398500	RELAY DC LK1AF-12V
△ RY102	VU398500	RELAY DC LK1AF-12V(UCAG)
△ RY102	VY735300	RELAY DC G5P-1(RT)
△ SW101	VV523900	SW. PUSH PBS-YM-001
△ SW102	VA961800	VOLT. SELECT ESE-37247-F(RT)
△ SW103	VZ361100	SW. SLIDE SL13B-022-AMC1
△ T101	XQ485B00	TRANS. PWR (UC)
△ T101	XQ486B00	TRANS. PWR (AG)
△ T101	XT331A00	TRANS. PWR (RT)
△ TE101	VC313700	TERM. SP 8P(UCRTA)
△ TE101	VU819700	TERM. SP 8P(G)
△ VJ828000		PIN IMSA-6024-03E
△ VB071360		SCR. TERM 8.3x13
△ VR264300		PLATE. GND
△ VP753100		HEAT. SINK IC-1625-MML
△ Ei330166		SCR. BND. HD 3x16 FCRM3-BL
△ VY834500		SUPRT (RTAG)
* VZ381200	P. C. B.	INPUT(UC)
* VZ381300	P. C. B.	INPUT(RAGT)
△ CB1	Vi878300	CN. BS. PIN 5P
△ CB2	Vi878900	CN. BS. PIN 11P
△ CB3	VQ963600	CN. BS. PIN 15P

* New Parts

RX-V493/R-V703 P.C.B. INPUT

Schm Ref.	PART NO.	Description		
CB4	VQ962500	CN. BS. PIN	4P	
CB5	VU272200	CN	22P	
CB6	VQ963600	CN. BS. PIN	15P	
CB7	Vi878500	CN. BS. PIN	7P	
CB8	VK024700	CN. BS. PIN	3P	
CB301	VK026600	CN. BS. PIN	7P	
CB302	VK026700	CN. BS. PIN	8P	
CB304	VQ961400	CN. BS. PIN	11P	
CB305	VK024900	CN. BS. PIN	5P	
CB306	VK027000	CN. BS. PIN	11P	
CB307	VK026200	CN. BS. PIN	3P	
CB308	VK025200	CN. BS. PIN	8P	
CB309	Vi878400	CN. BS. PIN	6P	
CB310	Vi878400	CN. BS. PIN	6P	
CB311	Vi878600	CN. BS. PIN	8P	
CB312	VK024800	CN. BS. PIN	4P	
CB313	VK024900	CN. BS. PIN	5P	
CB314	Vi878100	CN. BS. PIN	3P	
CB315	Vi878100	CN. BS. PIN	3P	
CB316	VK024700	CN. BS. PIN	3P	
C1	VJ839100	C. EL	1uF	50V
C2	UA652100	C. MYLAR	100pF	50V
C3	UA652100	C. MYLAR	100pF	50V
C4	VJ839100	C. EL	1uF	50V
C5	FG212100	C. CE	100pF	50V
C6	UM417100	C. EL	10uF	50V
C7	UA652100	C. MYLAR	100pF	50V
C8	VJ839100	C. EL	1uF	50V
C9	UM417100	C. EL	10uF	50V
C10	VJ839100	C. EL	1uF	50V
C11	UM417100	C. EL	10uF	50V
C12	UA652100	C. MYLAR	100pF	50V
C13	UA652100	C. MYLAR	100pF	50V
C14	UA652100	C. MYLAR	100pF	50V
C15	UA655150	C. MYLAR	0.15uF	50V
C16	VF466800	C. CE. TUBLR	100pF	50V
C17	UM417100	C. EL	10uF	50V
C18	UM417100	C. EL	10uF	50V
C19	UM417100	C. EL	10uF	50V
C20	VF466800	C. CE. TUBLR	100pF	50V
C21	VF964800	C. EL	100uF	16V
C22	UM417100	C. EL	10uF	50V
C23	UM417100	C. EL	10uF	50V
C24	VF964800	C. EL	100uF	16V
C25	UA652680	C. MYLAR	680pF	50V
C26	UA652680	C. MYLAR	680pF	50V
C27	UM407220	C. EL	22uF	25V
C28	UM407220	C. EL	22uF	25V
C29	UM417100	C. EL	10uF	50V
C30	VG279600	C. CE. TUBLR	3300pF	16V
C31	VG278400	C. CE. TUBLR	220pF	50V
C32	VG278400	C. CE. TUBLR	220pF	50V
C33	VG279600	C. CE. TUBLR	3300pF	16V
C34	VG279900	C. CE. TUBLR	6800pF	16V
C35	VG278600	C. CE. TUBLR	330pF	50V
C36	VG279500	C. CE. TUBLR	2700pF	16V

* New Parts

Schm Ref.	PART NO.	Description		
C37	VG278600	C. CE. TUBLR	330pF	50V
C38	VG279500	C. CE. TUBLR	2700pF	16V
C39	VG279900	C. CE. TUBLR	6800pF	16V
C40	UA653470	C. MYLAR	4700pF	50V
C41	FG212330	C. CE	330pF	50V
C42	FG212330	C. CE	330pF	50V
C43	UA653470	C. MYLAR	4700pF	50V
C44	UM407220	C. EL	22uF	25V
C45	UM407220	C. EL	22uF	25V
C46	UA652330	C. MYLAR	330pF	50V
C47	UM407220	C. EL	22uF	25V
C48	UA652330	C. MYLAR	330pF	50V
C49	UA652330	C. MYLAR	330pF	50V
C50	UM407220	C. EL	22uF	25V
C51	VJ839100	C. EL	1uF	50V
C52	VG279500	C. CE. TUBLR	2700pF	16V
C53	VG279500	C. CE. TUBLR	2700pF	16V
C54	VJ839100	C. EL	1uF	50V
C55	VF466600	C. CE. TUBLR	10pF	50V
C56	VF466600	C. CE. TUBLR	10pF	50V
C58	UA654100	C. MYLAR	0.01uF	50V
C59	VF466800	C. CE. TUBLR	100pF	50V
C60	VF466800	C. CE. TUBLR	100pF	50V
C61	UA654100	C. MYLAR	0.01uF	50V
C63	UM407220	C. EL	22uF	25V
C64	UM407220	C. EL	22uF	25V
C65	VG277000	C. CE. TUBLR	33pF	50V
C66	VG277000	C. CE. TUBLR	33pF	50V
C67	VG277000	C. CE. TUBLR	33pF	50V
C68	VG277000	C. CE. TUBLR	33pF	50V
C69	UM407220	C. EL	22uF	25V
C70	UM407220	C. EL	22uF	25V
C71	VG279600	C. CE. TUBLR	3300pF	16V
C72	VG279600	C. CE. TUBLR	3300pF	16V
C73	VH053100	C. CE. TUBLR	0.1uF	50V
C74	VH053100	C. CE. TUBLR	0.1uF	50V
C75	VH053100	C. CE. TUBLR	0.1uF	50V
C76	UJ638330	C. EL	330uF	16V
C78	VJ837200	C. EL	47uF	16V
C79	VJ837200	C. EL	47uF	16V
C80	VF760000	C. EL	100uF	10V
C81	VH053100	C. CE. TUBLR	0.1uF	50V
C82	VF964800	C. EL	100uF	16V
C83	VE117600	C. EL	220uF	10V
C86	VH053100	C. CE. TUBLR	0.1uF	50V
C87	VJ837200	C. EL	47uF	16V
C88	VJ837200	C. EL	47uF	16V
C89	VJ837200	C. EL	47uF	16V
C90	VH053100	C. CE. TUBLR	0.1uF	50V
C91	VF466800	C. CE. TUBLR	100pF	50V
C93	VF466800	C. CE. TUBLR	100pF	50V
C94	VF466800	C. CE. TUBLR	100pF	50V
C301	VF760000	C. EL	100uF	10V
C302	UA652220	C. MYLAR	220pF	50V (RAGT)
C303	UA652220	C. MYLAR	220pF	50V
C304	UA652220	C. MYLAR	220pF	50V (RAGT)

* New Parts

RX-V493/R-V703 P.C.B. INPUT

Schm Ref.	PART NO.	Description		
C305	UA652220	C. MYLAR	220pF	50V
C306	VF760000	C. EL	100uF	10V
C307	UA652100	C. MYLAR	100pF	50V
C308	UA652100	C. MYLAR	100pF	50V
C309	VF466700	C. CE. TUBLR	47pF	50V
C310	VF466700	C. CE. TUBLR	47pF	50V
C311	VF466800	C. CE. TUBLR	100pF	50V
C312	VF466800	C. CE. TUBLR	100pF	50V
C313	VF466800	C. CE. TUBLR	100pF	50V
C314	VF466800	C. CE. TUBLR	100pF	50V
C315	VF466700	C. CE. TUBLR	47pF	50V
C316	VF466700	C. CE. TUBLR	47pF	50V
C317	VF466800	C. CE. TUBLR	100pF	50V
C318	VF466800	C. CE. TUBLR	100pF	50V
C319	UA652470	C. MYLAR	470pF	50V(UC)
C319	UA653100	C. MYLAR	1000pF	50V(RAGT)
C321	UA652470	C. MYLAR	470pF	50V(UC)
C321	UA653100	C. MYLAR	1000pF	50V(RAGT)
C323	VH053100	C. CE. TUBLR	0. 1uF	50V
C324	UJ668100	C. EL	100uF	50V
C325	UM417100	C. EL	10uF	50V
C326	VE117600	C. EL	220uF	10V
C327	FG212100	C. CE	100pF	50V
C328	Ui367220	C. EL	22uF	50V
C329	VH053100	C. CE. TUBLR	0. 1uF	50V
C330	VJ839200	C. EL	2. 2uF	50V
C331	UA653910	C. MYLAR	9100pF	50V
C332	UA654330	C. MYLAR	0. 033uF	50V
C333	UA653910	C. MYLAR	9100pF	50V
C334	UA654330	C. MYLAR	0. 033uF	50V
C335	VJ839200	C. EL	2. 2uF	50V
C336	UJ668100	C. EL	100uF	50V
C337	VJ839200	C. EL	2. 2uF	50V
C338	FG212220	C. CE	220pF	50V
C339	UA653330	C. MYLAR	3300pF	50V
C340	UH178100	C. EL	100uF	63V
C341	VJ837200	C. EL	47uF	16V
C342	VJ837200	C. EL	47uF	16V
C343	FH611220	C. CE	22pF	500V
C344	UM417100	C. EL	10uF	50V
C345	VF466800	C. CE. TUBLR	1000pF	50V(RAGT)
C347	UM407220	C. EL	22uF	25V
C348	UM417100	C. EL	10uF	50V
C349	UM417100	C. EL	10uF	50V
C350	UM407220	C. EL	22uF	25V
C352	VF466800	C. CE. TUBLR	1000pF	50V(RAGT)
C353	UM417100	C. EL	10uF	50V
C354	FG212100	C. CE	100pF	50V
C355	UA654100	C. MYLAR	0. 01uF	50V
C356	FG210500	C. CE	5pF	50V(RAGT)
C356	FG251220	C. CE	22pF	50V(UC)
C357	UJ668100	C. EL	100uF	50V
C358	VF466800	C. CE. TUBLR	100pF	50V
C359	FG212100	C. CE	100pF	50V
C360	FG212100	C. CE	100pF	50V
C361	VF466800	C. CE. TUBLR	100pF	50V

Schm Ref.	PART NO.	Description		
C362	UJ668100	C. EL	100uF	50V
C363	FG210500	C. CE	5pF	50V(RAGT)
C363	FG251220	C. CE	22pF	50V(UC)
C364	UA654100	C. MYLAR	0. 01uF	50V
C365	FG212100	C. CE	100pF	50V
C366	VF964800	C. EL	100uF	16V
C367	VF964800	C. EL	100uF	16V
C368	VJ839200	C. EL	2. 2uF	50V
C369	UA654470	C. MYLAR	0. 047uF	50V
C370	UA654470	C. MYLAR	0. 047uF	50V
C371	VR325000	C. MYLAR	100pF	100V
C372	VJ839100	C. EL	1uF	50V
C373	Ui367220	C. EL	22uF	50V
C374	VR325000	C. MYLAR	100pF	100V
C375	VJ839100	C. EL	1uF	50V
C376	UA654470	C. MYLAR	0. 047uF	50V
C377	VE117600	C. EL	220uF	10V
C378	UJ648100	C. EL	100uF	25V
C379	VL544800	C. EL	3300uF	35V
C380	VG289900	C. EL	2200uF	35V
C381	VG722100	C. EL	1uF	50V
C382	FG212470	C. CE	470pF	50V
C383	VD930900	C. CE. SMI	0. 1uF	25V
C384	FG244220	C. CE	0. 022uF	50V(RAGT)
C385	FG244220	C. CE	0. 022uF	50V(RAGT)
C386	FG214100	C. CE	0. 01uF	50V(RAGT)
C387	FG244220	C. CE	0. 022uF	50V(RAGT)
C388	FG214100	C. CE	0. 01uF	50V(RAGT)
C389	UA654470	C. MYLAR	0. 047uF	50V
C390	UA654470	C. MYLAR	0. 047uF	50V
C391	VH053100	C. CE. TUBLR	0. 1uF	50V
C392	VJ839200	C. EL	2. 2uF	50V
C394	VJ839200	C. EL	2. 2uF	50V
C395	UJ667470	C. EL	47uF	50V
C396	VZ410500	C. EL	47uF	35V
C397	VJ839200	C. EL	2. 2uF	50V
C398	VJ839200	C. EL	2. 2uF	50V
C399	FG212100	C. CE	100pF	50V
C400	UA652220	C. MYLAR	220pF	50V
C401	UA652220	C. MYLAR	220pF	50V
C402	UA652220	C. MYLAR	220pF	50V
C403	VF466800	C. CE. TUBLR	100pF	50V(RAGT)
C404	VF466800	C. CE. TUBLR	100pF	50V(RAGT)
C405	VJ837200	C. EL	47uF	16V
C406	VJ837200	C. EL	47uF	16V
C407	VF466800	C. CE. TUBLR	100pF	50V(RAGT)
C408	UA652100	C. MYLAR	100pF	50V
C409	UA652100	C. MYLAR	100pF	50V
C410	FG211100	C. CE	10pF	50V
C411	FG211100	C. CE	10pF	50V
C412	FG211100	C. CE	10pF	50V
C413	UM417100	C. EL	10uF	50V
C414	UM417100	C. EL	10uF	50V
C415	UM417100	C. EL	10uF	50V
C416	UM417100	C. EL	10uF	50V
C417	VJ837200	C. EL	47uF	16V

* New Parts

* New Parts

RX-V493/R-V703 P.C.B. INPUT

Schm Ref.	PART NO.	Description
C418	VJ837200	C. EL 47uF 16V
C419	UJ638470	C. EL 470uF 16V
C420	VG722100	C. EL 1uF 50V
C421	VH053100	C. CE. TUBLR 0.1uF 50V
C422	VF466900	C. CE. TUBLR 470pF 50V
C423	VF466900	C. CE. TUBLR 470pF 50V
C501	UJ638330	C. EL 330uF 16V
C502	VH053100	C. CE. TUBLR 0.1uF 50V
C503	VH053100	C. CE. TUBLR 0.1uF 50V
C504	VH053100	C. CE. TUBLR 0.1uF 50V
C505	VH053100	C. CE. TUBLR 0.1uF 50V
C506	VH053100	C. CE. TUBLR 0.1uF 50V
C507	VH053100	C. CE. TUBLR 0.1uF 50V
C508	VH053100	C. CE. TUBLR 0.1uF 50V
C601	VJ837200	C. EL 47uF 16V
D1	VD631600	DIODE 1SS133, 176, HSS104
D3	VM975500	DIODE. ZENR HZS12A2TD 12V
D301	VM975500	DIODE. ZENR HZS12A2TD 12V
D302	VM975500	DIODE. ZENR HZS12A2TD 12V
D303	VM975500	DIODE. ZENR HZS12A2TD 12V
D304	VM975500	DIODE. ZENR HZS12A2TD 12V
D305	VD631600	DIODE 1SS133, 176, HSS104
D306	VD631600	DIODE 1SS133, 176, HSS104
D307	VD631600	DIODE 1SS133, 176, HSS104
D308	VD631600	DIODE 1SS133, 176, HSS104
△ D309	VN008700	DIODE 1SS270A
D310	VM976300	DIODE. ZENR HZS242TD 24V
D311	VD631600	DIODE 1SS133, 176, HSS104
D312	VD631600	DIODE 1SS133, 176, HSS104
D313	VM974100	DIODE. ZENR HZS5B2TD 5.0V
△ D314	VV731400	DIODE 2A02M
△ D315	VV731400	DIODE 2A02M
△ D316	VV731400	DIODE 2A02M
△ D317	VV731400	DIODE 2A02M
D318	VM974200	DIODE. ZENR HZS5C2TD 5.0V
D319	VD631600	DIODE 1SS133, 176, HSS104
D501	VS997800	DIODE 1T2
IC1	XP896A00	IC LC78213
IC2	XB247301	IC uPC4570HA
IC3	XM356A00	IC NJM2068LD
IC4	XB247301	IC uPC4570HA
IC5	XB247301	IC uPC4570HA
IC6	XB247301	IC uPC4570HA
IC7	XB247301	IC uPC4570HA
IC8	XB247301	IC uPC4570HA
IC9	XB247301	IC uPC4570HA
IC10	XB247301	IC uPC4570HA
IC11	XQ212A00	IC NJM4558LD
IC12	XQ212A00	IC NJM4558LD
IC14	XA507A00	IC AN78N05
IC16	Xi022B00	IC YSS203B-F
IC17	XS881A00	IC LH5P832D-10 PSRAM
IC302	XM356A00	IC NJM2068LD
IC303	XP894A00	IC LC78211
△ IC304	iG092000	IC M5220L
IC305	XG505A00	IC NJM79M15FA

* New Parts

Schm Ref.	PART NO.	Description
IC306	XR040A00	IC TC9299P
IC307	XR040A00	IC TC9299P
IC308	XB247301	IC uPC4570HA
IC309	XB247301	IC uPC4570HA
IC310	XF494A00	IC LB1641
L301	VP575600	COIL 1.5uH
L302	VP575600	COIL 1.5uH
L303	VP575600	COIL 1.5uH
PJ1	VR765100	JACK. PIN 2P
* PJ301	VZ410600	JACK. PIN 6P
PJ302	VU857800	JACK. PIN 6P
PJ303	VJ695600	JACK. PIN 2P
PJ305	VJ249500	JACK. PIN 4P
Q1	VP872700	TR 2SC4488 S, T
Q303	iC174020	TR 2SC1740S R, S
Q304	iC174020	TR 2SC1740S R, S
Q305	VP883000	TR 2SA893A D, E
△ Q306	VP872700	TR 2SC4488 S, T
△ Q307	VP872600	TR 2SA1708 S, T
△ Q308	iC224030	TR 2SC2240 GR, BL
△ Q309	iC224030	TR 2SC2240 GR, BL
△ Q310	VP872600	TR 2SA1708 S, T
△ Q311	VP872700	TR 2SC4488 S, T
△ Q312	VV855300	TR 2SD856 Q, P
Q313	VP883100	TR 2SC1890A D, E
△ Q314	VV855300	TR 2SD856 Q, P
△ Q315	VV855300	TR 2SD856 Q, P
Q316	VP883100	TR 2SC1890A D, E
△ Q317	VV855300	TR 2SD856 Q, P
△ Q319	VP872700	TR 2SC4488 S, T
△ Q320	iC174020	TR 2SC1740S R, S
△ Q321	VP872600	TR 2SA1708 S, T
Q322	VP883000	TR 2SA893A D, E
△ Q323A	iX615750	TR 2SA1694 O, P, Y
△ Q323C	iX615760	TR 2SC4467 O, P, Y
Q324	VP883100	TR 2SC1890A D, E
Q326	iC287820	TR 2SC2878 A, B
Q327	iC287820	TR 2SC2878 A, B
Q601	iC287820	TR 2SC2878 A, B
Q602	iC287820	TR 2SC2878 A, B
Q603	iC287820	TR 2SC2878 A, B
Q604	iC287820	TR 2SC2878 A, B
Q605	iC287820	TR 2SC2878 A, B
R79	HV453220	R. CAR. FP 2.2Ω 1/4W
R84	HL314470	R. MTL. OXD 47Ω 1W
R85	HV453220	R. CAR. FP 2.2Ω 1/4W
R86	HV453220	R. CAR. FP 2.2Ω 1/4W
R87	HV453220	R. CAR. FP 2.2Ω 1/4W
R88	HV453220	R. CAR. FP 2.2Ω 1/4W
R89	HV453470	R. CAR. FP 4.7Ω 1/4W
△ R353	HV454100	R. CAR. FP 10Ω 1/4W
R360	HV455470	R. CAR. FP 470Ω 1/4W
R365	HV455470	R. CAR. FP 470Ω 1/4W
R370	HV455330	R. CAR. FP 330Ω 1/4W
R376	HV455120	R. CAR. FP 120Ω 1/4W
R377	HV455100	R. CAR. FP 100Ω 1/4W

* New Parts

RX-V493/R-V703 P.C.B. INPUT, SELECT & TUNER

Schm Ref.	PART NO.	Description		
R378	HV455100	R. CAR. FP	100Ω	1/4W
R379	HV455120	R. CAR. FP	120Ω	1/4W
R385	HV455330	R. CAR. FP	330Ω	1/4W
R386	HV456150	R. CAR. FP	1.5KΩ	1/4W
△ R387	VE869300	R. MIL. OXD	0.1Ω	2W
R389	HV454220	R. CAR. FP	22Ω	1/4W
R390	HV454220	R. CAR. FP	22Ω	1/4W
R392	HV456150	R. CAR. FP	1.5KΩ	1/4W
△ R394	VE869300	R. MIL. OXD	0.1Ω	2W
R398	HV454100	R. CAR. FP	10Ω	1/4W
R400	HV454100	R. CAR. FP	10Ω	1/4W
△ R401	VK188600	R. FUS	470Ω	1/4W
R402	HV456270	R. CAR. FP	2.7KΩ	1/4W
R403	HV455470	R. CAR. FP	470Ω	1/4W
R404	HV456820	R. CAR. FP	8.2KΩ	1/4W
R405	HV456150	R. CAR. FP	1.5KΩ	1/4W
R410	HV453470	R. CAR. FP	4.7Ω	1/4W
R412	HV457100	R. CAR. FP	10KΩ	1/4W
△ R415	VU981700	R. MIL. PLAT	0.22Ω+0.22	3W
R416	HV453470	R. CAR. FP	4.7Ω	1/4W
R417	HV454100	R. CAR. FP	10Ω	1/4W
R418	HL425820	R. MIL. OXD	820Ω	2W
R419	HV454100	R. CAR. FP	10Ω	1/4W
R420	HV454100	R. CAR. FP	10Ω	1/4W
R430	HV453220	R. CAR. FP	2.2Ω	1/4W
R433	HV454100	R. CAR. FP	10Ω	1/4W
R434	HL314220	R. MIL. OXD	22Ω	1W
R455	HV453470	R. CAR. FP	4.7Ω	1/4W
R456	HV453470	R. CAR. FP	4.7Ω	1/4W
R457	HV454100	R. CAR. FP	10Ω	1/4W
R458	HV454100	R. CAR. FP	10Ω	1/4W
R501	HL314220	R. MIL. OXD	22Ω	1W
R504	HV454100	R. CAR. FP	10Ω	1/4W
R505	HV454100	R. CAR. FP	10Ω	1/4W
R506	HL314220	R. MIL. OXD	22Ω	1W
△ RY301	VU566700	RELAY	DG24D2-OS/M	
△ TE301	VS578600	TERM. SP	8P	
VR301	VV412800	VR	A100KΩ	
XL1	VK175200	RSNR. CE	11.28MHz	
	VJ828000	PIN	IMSA-6024-03E	
	BB071360	SCR. TERM	8.3x13	
	VZ475600	P. C. B.	SELECT	
CB701	VQ961800	CN. BS. PIN	15P	
CB702	VF667600	CN. BS. PIN	15P	
CB703	Vi878900	CN. BS. PIN	11P	
CB704	VQ960700	CN	4P	
CB705	Vi878200	CN. BS. PIN	4P	
C701	VH053100	C. CE. TUBLR	0.1uF	50V
C702	VH053100	C. CE. TUBLR	0.1uF	50V
IC701	XP896A00	IC	LC78213	

* New Parts

Schm Ref.	PART NO.	Description		
	VV022300	P. C. B.	TUNER (UC)	
	VV022400	P. C. B.	TUNER (RT)	
	VV022500	P. C. B.	TUNER (AG)	
CB4	VQ961800	CN. BS. PIN	15P	
C1	VG287800	C. EL	330uF	16V
C3	UB050800	C. CE. M. CHP	8pF	50V
C3	VG275800	C. CE. TUBLR	8.2pF	50V
C4	VG291200	C. EL	47uF	50V
C5	UB044100	C. CE. M. CHP	0.01uF	50V
C5	VF467300	C. CE. TUBLR	0.01uF	16V
C6	VG288900	C. EL	100uF	25V
C7	VJ839100	C. EL	1uF	50V
C8	UB044100	C. CE. M. CHP	0.01uF	50V
C8	VF467300	C. CE. TUBLR	0.01uF	16V
C9	UB044100	C. CE. M. CHP	0.01uF	50V
C9	VF467300	C. CE. TUBLR	0.01uF	16V
C10	UB044100	C. CE. M. CHP	0.01uF	50V
C10	VF467300	C. CE. TUBLR	0.01uF	16V
C11	UB013100	C. CE. M. CHP	1000pF	50V
C11	VF467000	C. CE. TUBLR	1000pF	50V
C12	VJ836900	C. EL	10uF	16V
C13	VJ836900	C. EL	10uF	16V
C14	UB052100	C. CE. M. CHP	100pF	50V
C14	VF466800	C. CE. TUBLR	100pF	50V
C15	UB013100	C. CE. M. CHP	1000pF	50V
C15	VF467000	C. CE. TUBLR	1000pF	50V
C16	UB051470	C. CE. M. CHP	47pF	50V
C16	VF466700	C. CE. TUBLR	47pF	50V
C17	VG291200	C. EL	47uF	50V
C19	VA761200	C. CE	33pF	50V
C20	VG291200	C. EL	47uF	50V
C21	UB044470	C. CE. M. CHP	0.047uF	50V
C21	VJ599000	C. CE. TUBLR	0.047uF	16V
C22	UM216330	C. EL	3.3uF	50V
C23	UB044100	C. CE. M. CHP	0.01uF	50V
C23	VF467300	C. CE. TUBLR	0.01uF	16V
C24	UM416470	C. EL	4.7uF	50V
C25	UM216330	C. EL	3.3uF	50V
C26	VJ836900	C. EL	10uF	16V
C27	UB044100	C. CE. M. CHP	0.01uF	50V
C27	VF467300	C. CE. TUBLR	0.01uF	16V
C28	VA761200	C. CE	33pF	50V
C29	VJ839100	C. EL	1uF	50V
C30	VJ839100	C. EL	1uF	50V
C31	VG291200	C. EL	47uF	50V
C32	VJ839000	C. EL	0.47uF	50V
C33	VJ839100	C. EL	1uF	50V
C34	UA654470	C. MYLAR	0.047uF	50V
C35	UM216330	C. EL	3.3uF	50V
C36	UA652470	C. MYLAR	470pF	50V (AG)
C36	UA653100	C. MYLAR	1000pF	50V (UCRT)
C37	UA652470	C. MYLAR	470pF	50V (AG)
C37	UA653100	C. MYLAR	1000pF	50V (UCRT)
C38	UB012470	C. CE. M. CHP	470pF	50V
C38	VF466900	C. CE. TUBLR	470pF	50V
C39	VJ836900	C. EL	10uF	16V

* New Parts

RX-V493/R-V703 P.C.B. TUNER

Schm Ref.	PART NO.	Description
C40	UM216330	C. EL 3.3uF 50V
C41	UA653390	C. MYLAR 3900pF 50V
C42	UM407220	C. EL 22uF 25V
C43	UA653390	C. MYLAR 3900pF 50V
C44	UM216330	C. EL 3.3uF 50V
C45	VG291200	C. EL 47uF 50V
C46	VG291200	C. EL 47uF 50V
C49	UA652120	C. MYLAR 120pF 50V(AG)
C49	UA652470	C. MYLAR 470pF 50V(UCRT)
C50	UB044470	C. CE. M. CHP 0.047uF 50V
C50	VJ599000	C. CE. TUBLR 0.047uF 16V
D1	VD631600	DIODE 1SS133, 176, HSS104
D1	VT332900	DIODE 1SS355
D2	VD631600	DIODE 1SS133, 176, HSS104
D2	VT332900	DIODE 1SS355
D3	VG437800	DIODE. ZENR MTZJ5.6C 5.6V
D3	VU993100	DIODE. ZENR MA8056-H 5.8V
Fi1	GG000560	FLTR. CE SFE10.7MS3GHY-A
Fi2	GG000560	FLTR. CE SFE10.7MS3GHY-A
Fi3	VC219000	FLTR. CE SFZ450JL3
IC1	XB760A00	IC LA1266
IC2	XQ944A00	IC LC72131
IC3	iG158100	IC LA3401
L1	Vi546100	COIL 220uH
L1	VU889500	COIL 220uH
L2	Vi546100	COIL 220uH
L2	VU889500	COIL 220uH
L3	Vi546100	COIL 220uH
L3	VU889500	COIL 220uH
PK1	VQ987600	TUNER. PK EXV-17296G1 (AG)
PK1	VR242200	TUNER. PK EXV-17296G1 (UCRT)
PK1	VR604400	TUNER. PK ENV-14292G1
PK2	VU333700	COIL. RF. AM 940536051A
Q1	iC053540	TR 2SC535 A, B, C
Q2	iC053540	TR 2SC535 A, B, C
Q3	VD678500	TR. DGT DTA114ES
Q4	VC218900	TR 2SC3330 R, S, T
Q5	VG722000	TR. DGT DTC144ES
Q6	iC1815C0	TR 2SC1815 Y
Q7	VD678500	TR. DGT DTA114ES
R2	RD257100	R. CAR. CHP 10KΩ 1/10W
R3	RD258100	R. CAR. CHP 100KΩ 1/10W
R4	RD257100	R. CAR. CHP 10KΩ 1/10W
R5	RD256100	R. CAR. CHP 1KΩ 1/10W
R6	RD255220	R. CAR. CHP 220Ω 1/10W
R7	RD255330	R. CAR. CHP 330Ω 1/10W
R8	RD255100	R. CAR. CHP 100Ω 1/10W
R9	RD255220	R. CAR. CHP 220Ω 1/10W
R10	RD257100	R. CAR. CHP 10KΩ 1/10W
R11	RD255470	R. CAR. CHP 470Ω 1/10W
R12	RD255220	R. CAR. CHP 220Ω 1/10W
R14	RD256330	R. CAR. CHP 3.3KΩ 1/10W
R15	RD256220	R. CAR. CHP 2.2KΩ 1/10W
R16	RD256330	R. CAR. CHP 3.3KΩ 1/10W
R17	RD256680	R. CAR. CHP 6.8KΩ 1/10W
R18	RD257100	R. CAR. CHP 10KΩ 1/10W

* New Parts

Schm Ref.	PART NO.	Description
R19	RD257220	R. CAR. CHP 22KΩ 1/10W
R20	RD256120	R. CAR. CHP 1.2KΩ 1/10W
R21	RD257100	R. CAR. CHP 10KΩ 1/10W
R22	RD257100	R. CAR. CHP 10KΩ 1/10W
R23	RD257470	R. CAR. CHP 47KΩ 1/10W
R24	RD257100	R. CAR. CHP 10KΩ 1/10W
R25	RD257150	R. CAR. CHP 15KΩ 1/10W
R26	RD254220	R. CAR. CHP 22Ω 1/10W
R27	RD257220	R. CAR. CHP 22KΩ 1/10W
R28	RD256470	R. CAR. CHP 4.7KΩ 1/10W
R29	RD256560	R. CAR. CHP 5.6KΩ 1/10W
R30	RD257100	R. CAR. CHP 10KΩ 1/10W
R31	RD257470	R. CAR. CHP 47KΩ 1/10W
R32	RD257220	R. CAR. CHP 22KΩ 1/10W
R33	RD256330	R. CAR. CHP 3.3KΩ 1/10W
R34	RD257100	R. CAR. CHP 10KΩ 1/10W
R35	RD257470	R. CAR. CHP 47KΩ 1/10W
R36	RD257750	R. CAR. CHP 75KΩ 1/10W(UCRT)
R36	RD258100	R. CAR. CHP 100KΩ 1/10W(AG)
R37	RD257750	R. CAR. CHP 75KΩ 1/10W(UCRT)
R37	RD258100	R. CAR. CHP 100KΩ 1/10W(AG)
R38	RD257100	R. CAR. CHP 10KΩ 1/10W
R39	RD257220	R. CAR. CHP 22KΩ 1/10W
R40	RD257470	R. CAR. CHP 47KΩ 1/10W
R41	RD256220	R. CAR. CHP 2.2KΩ 1/10W
R42	RD256220	R. CAR. CHP 2.2KΩ 1/10W
R43	RD257100	R. CAR. CHP 10KΩ 1/10W
R44	RD256470	R. CAR. CHP 4.7KΩ 1/10W
R45	RD255100	R. CAR. CHP 100Ω 1/10W
R46	RD256470	R. CAR. CHP 4.7KΩ 1/10W
R47	RD256470	R. CAR. CHP 4.7KΩ 1/10W
R48	RD256470	R. CAR. CHP 4.7KΩ 1/10W(AG)
R49	RD257100	R. CAR. CHP 10KΩ 1/10W
R57	RD256100	R. CAR. CHP 1KΩ 1/10W(AG)
R57	RD257220	R. CAR. CHP 22KΩ 1/10W(UCRT)
SW1	VS602600	SW. SLIDE SS070-P022 A(RT)
T1	VC218600	COIL. DT. FM 10.7MHz
T2	VR895700	COIL. IF 450KHz
T3	VT486800	COIL XYA2 (AG)
T4	VQ138200	FLTR. LC 19KHz
T5	VQ138200	FLTR. LC 19KHz
TE1	VU477800	TERM. ANT AJ-2038-040
TP1	VT969000	PIN. TEST IRS-2049
TP2	VT969000	PIN. TEST IRS-2049
VR1	VJ694000	VR. TRIM B47KΩ
VR2	VJ694000	VR. TRIM B47KΩ
XL1	QU003800	RSNR. CRY5 7.2MHz
XL2	GG000750	RSNR. CE 18.95KHz
	BB071360	SCR. TERM 8.3x13
	VR282500	PLATE ANT.

* New Parts

A

B

C

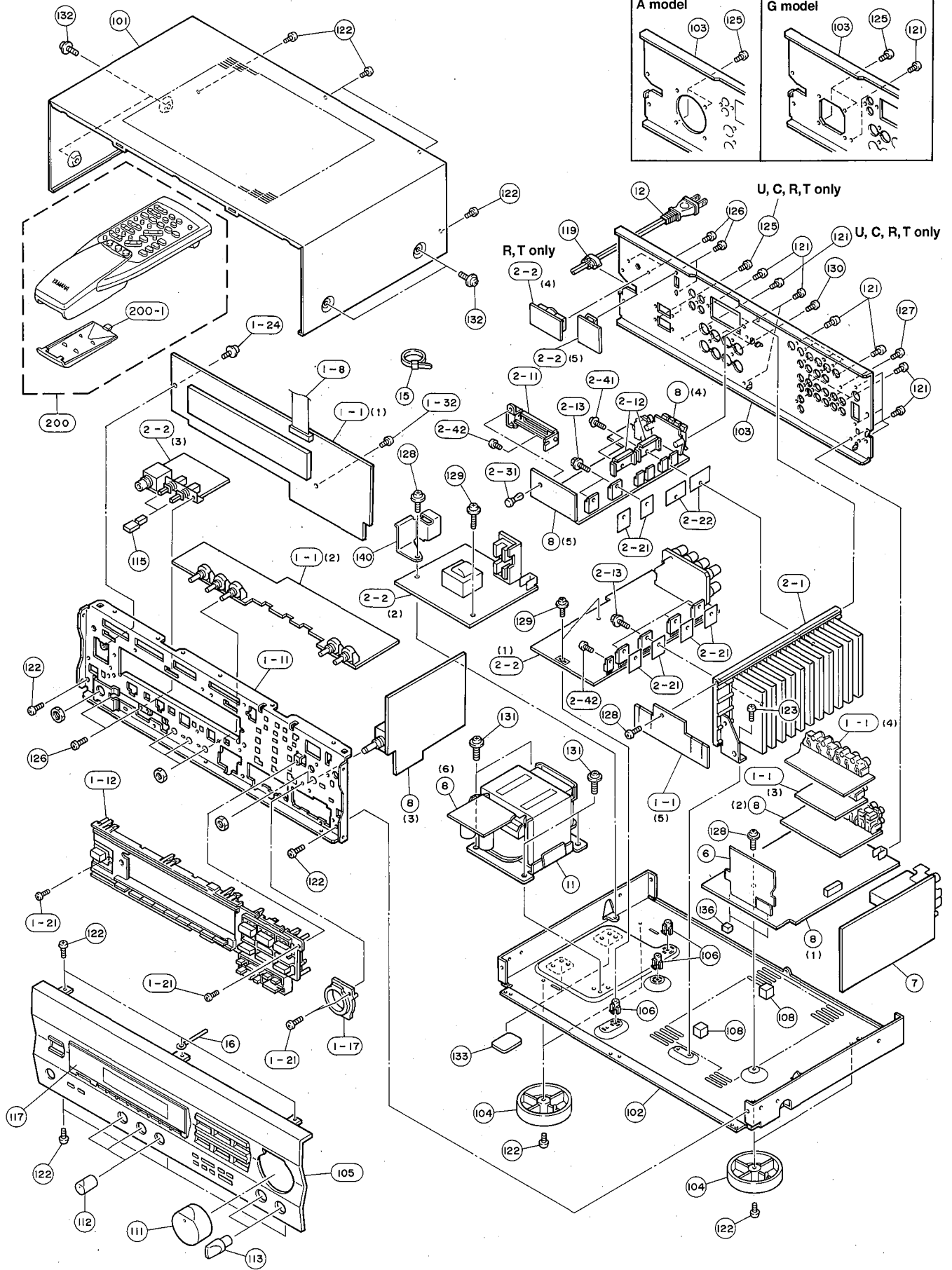
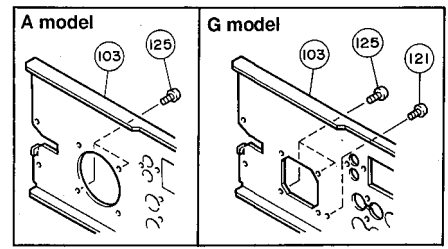
D

E

RX-V393/R-V503/RX-V493/R-V703

1

RX-V393/R-V503 EXPLODED VIEW



2

3

4

5

6

7

■ RX-V393/R-V503 MECHANICAL PARTS

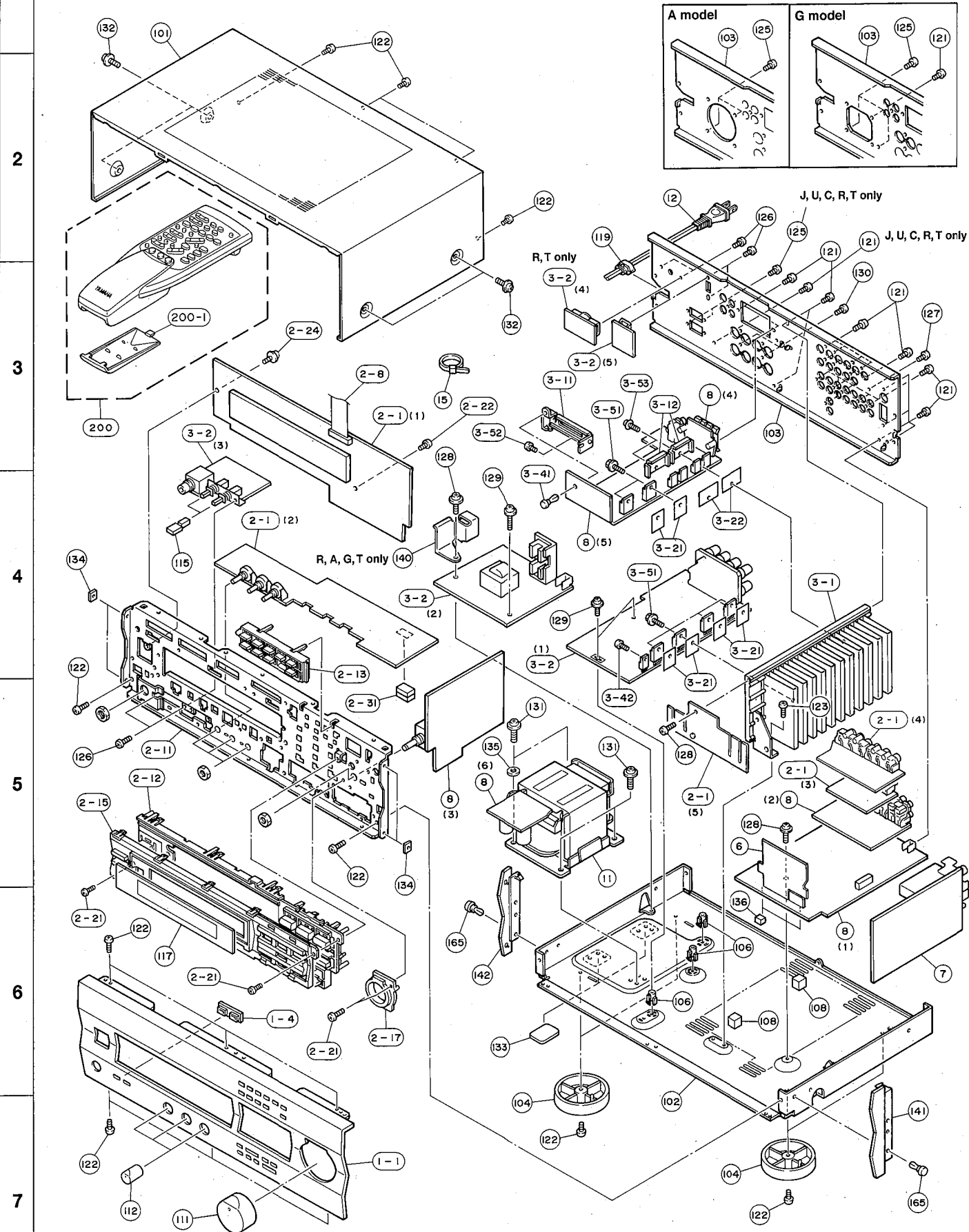
Ref. No.	PART NO.	Description	Remarks	Markets
* 1- 1	VZ391100	P. C. B. ASS'Y	OPERATION	(UC)
* 1- 1	VZ391200	P. C. B. ASS'Y	OPERATION	(RT)
* 1- 1	VZ391300	P. C. B. ASS'Y	OPERATION	(A)
* 1- 1	VZ391400	P. C. B. ASS'Y	OPERATION	(G)
1- 8	MF122400	FLEXIBLE FLAT CABLE C&C	22P 400mm	
1-11	VV140800	SUB CHASSIS	130	
1-12	VV136700	BUTTON CASE		
1-17	VV149500	ESCUTCHEON, VOL		RX-V393
1-17	VV626400	ESCUTCHEON, VOL		R-V503 GP
* 1-17	VZ031500	ESCUTCHEON, VOL		R-V503 GL
1-21	Ei330086	BIND HEAD B-TITE SCREW	3x8 FCRM3-BL	
1-24	VT669300	PW HEAD B-TITE SCREW	3x8-8 MFC2	
1-32	EP630220	BIND HEAD P-TITE SCREW	3x8 ZMC2-BL	
2- 1	VV899700	HEAT SINK ASS'Y		
* 2- 2	VZ417100	P. C. B. ASS'Y	MAIN:RX-V393	(UC)
* 2- 2	VZ417200	P. C. B. ASS'Y	MAIN	(RT)
* 2- 2	VZ417300	P. C. B. ASS'Y	MAIN	(A)
* 2- 2	VZ417400	P. C. B. ASS'Y	MAIN	(G)
* 2- 2	VZ432800	P. C. B. ASS'Y	MAIN:R-V503	
2-11	VV491300	SUPPORT, PCB		
2-12	VV901900	SUPPORT, TR		
2-13	VT669400	PW HEAD B-TITE SCREW	3x15-8 MFC2	
2-21	VK195900	SHEET	19x24	
2-22	VV901800	RADIATION SHEET		
2-31	VQ368500	PUSH RIVET	P3545-B	
2-41	VK173200	SCREW, TRANSISTOR	3x15 SP FCM3	
2-42	Ei330086	BIND HEAD B-TITE SCREW	3x8 FCRM3-BL	
* 6	VZ520600	P. C. B. ASS'Y	SELECT	
7	VV610200	P. C. B. ASS'Y	TUNER	(UC)
7	VV610300	P. C. B. ASS'Y	TUNER	(RT)
7	VV610400	P. C. B. ASS'Y	TUNER	(AG)
* 8	VZ390900	P. C. B. ASS'Y	INPUT	(UC)
* 8	VZ391000	P. C. B. ASS'Y	INPUT	(RAGT)
△ 11	XT080A00	POWER TRANSFORMER		(U)
△ 11	XT081A00	POWER TRANSFORMER		(C)
△ * 11	XT082B00	POWER TRANSFORMER		(RT)
△ 11	XT083A00	POWER TRANSFORMER		(A)
△ 11	XT084B00	POWER TRANSFORMER		(G)
△ 11	XT088B00	POWER TRANSFORMER		(U)
△ 12	VL238100	POWER CORD ASS'Y		(R)
△ 12	VN363700	POWER CORD ASS'Y		(G)
△ 12	VQ508600	POWER CORD ASS'Y		(A)
△ 12	VV437200	POWER CORD ASS'Y		(UC)
△ 12	VZ542500	POWER CORD ASS'Y		(T)
15	VU590000	BINDING TIE	CBTD001B	
16	CB502030	BINDING TIE	S-75B	
101	VV140400	TOP COVER		
102	VQ794000	CHASSIS		
* 103	VZ306700	REAR PANEL		RX-V393 (U)
* 103	VZ306800	REAR PANEL		RX-V393 (C)
* 103	VZ306900	REAR PANEL		RX-V393 (RT)
* 103	VZ307000	REAR PANEL		RX-V393 (A)
* 103	VZ307100	REAR PANEL		RX-V393 (G)

* New Parts

Ref. No.	PART NO.	Description	Remarks	Markets
* 103	VZ307400	REAR PANEL		R-V503 (U)
* 103	VZ307500	REAR PANEL		R-V503 (C)
* 103	VZ307600	REAR PANEL		R-V503 (RT)
* 103	VZ307700	REAR PANEL		R-V503 (A)
104	VS025000	LEG	D60xH21	RX-V393
104	VV544300	LEG	D60xH21	R-V503 (UCA)
104	VV544600	LEG	D60xH21	R-V503 (RT)
105	VV463200	FRONT PANEL		R-V502
* 105	VZ305100	FRONT PANEL		RX-V393
106	VR264400	SPACER	H8	
108	VQ366100	DAMPER, PCB		
111	VV148800	KNOB	D40	
112	VV311000	KNOB	D14	
113	VR308400	KNOB, VR	D10	
115	VV123500	BUTTON, 3/8		
117	VV139900	SHEET, WINDOW PANEL		
119	VN158600	CORD STOPPER	No. 2104	
121	VN413300	BIND HEAD BONDING B-T. SCREW	3x8 MFZN2-BL	
122	Ei330086	BIND HEAD B-TITE SCREW	3x8 FCRM3-BL	
123	Ei030046	BIND HEAD TAPPING SCREW	3x4 ZMC2-Y	
125	Ei030086	BIND HEAD B-TITE SCREW	3x8 ZMC2-Y	
126	ED330066	BIND HEAD SCREW	3x6 FCRM3-BL	
127	VS997700	BIND HEAD S-TITE SCREW	3x10 MFNI33	
128	VT669300	PW HEAD B-TITE SCREW	3x8-8 MFC2	
129	VT669400	PW HEAD B-TITE SCREW	3x15-8 MFC2	
130	VY731200	BONDING HEAD TAPPING SCREW	3x10 MFNI33	
131	EK365090	PW HEAD S-TITE SCREW	4x8-10 FCRM3-BL	
132	EK365090	PW HEAD S-TITE SCREW	4x8-10 FCRM3-BL	
133	VY731400	DAMPER	HOLE	
* 136	VZ679700	DAMPER	T8/PCB	
* 140	VZ319700	STOPPER	SCREW	(RAT)
		ACCESSORIES		
* 200	VZ338100	REMOTE CONTROL TRANSMITTER	SBGH20029A RAV8	
200-1	CX679050	LID	74x34BLALPS	
	VQ147100	ANTENNA, FM	1P 1.4m	
	VR248500	ANTENNA, AM LOOP	1P 1.0m	
	VT948000	ANTENNA ADAPTER		
		BATTERY, MANGANESE	SUM-3, AA, R06	

* New Parts

■ RX-V493/R-V703 EXPLODED VIEW



■ RX-V493/R-V703 MECHANICAL PARTS

Ref. No.	PART NO.	Description	Remarks	Markets
* 1- 1	VZ304600	FRONT PANEL	RX-V493	
* 1- 1	VZ305000	FRONT PANEL	R-V703	
1- 4	VV123700	ESCUTCHEON, 3/8	2P	
* 2- 1	VZ381400	P. C. B. ASS'Y	OPERATION	(UC)
* 2- 1	VZ381500	P. C. B. ASS'Y	OPERATION	(RT)
* 2- 1	VZ381600	P. C. B. ASS'Y	OPERATION	(A)
* 2- 1	VZ381700	P. C. B. ASS'Y	OPERATION	(G)
* 2- 1	VZ381800	P. C. B. ASS'Y	OPERATION	(G)
2- 8	MF122400	FLEXIBLE FLAT CABLE C&C	22P 400mm	
2-11	VV140700	SUB CHASSIS	130	
2-12	VV136500	BUTTON CASE		
2-13	VV137700	BUTTON, DSP		
* 2-15	VZ309000	SUB PANEL CASE	7	RX-V493
* 2-15	VZ309200	SUB PANEL CASE	7	R-V703
2-17	VV149500	ESCUTCHEON, VOL		RX-V493
2-17	VV626400	ESCUTCHEON, VOL		R-V703 GP
* 2-17	VZ031500	ESCUTCHEON, VOL		R-V703 GL
2-21	Ei330086	BIND HEAD B-TITE SCREW	3x8	FCRM3-BL
2-22	EP630220	BIND HEAD P-TITE SCREW	3x8	ZMC2-BL
2-24	VT669300	PW HEAD B-TITE SCREW	3x8-8	MFC2
2-31	VZ092400	DAMPER	6x5x10	
3- 1	VV143200	HEAT SINK ASS'Y		
* 3- 2	VZ416500	P. C. B. ASS'Y	MAIN	(UC)
* 3- 2	VZ416600	P. C. B. ASS'Y	MAIN	(RT)
* 3- 2	VZ416700	P. C. B. ASS'Y	MAIN	(A)
* 3- 2	VZ416800	P. C. B. ASS'Y	MAIN	(G)
3-11	VV491300	SUPPORT, PCB		
3-12	VV901900	SUPPORT, TR		
3-21	VK195900	SHEET	19x24	
3-22	Ei330086	BIND HEAD B-TITE SCREW	3x8	FCRM3-BL
3-22	VV901800	RADIATION SHEET		
3-41	VQ368500	PUSH RIVET	P3545-B	
3-51	VK173200	SCREW, TRANSISTOR	3x15 SP	FCM3
3-53	VT669400	PW HEAD B-TITE SCREW	3x15-8	MFC2
6	VZ475600	P. C. B. ASS'Y	SELECT	
7	VV022300	P. C. B. ASS'Y	TUNER	(UC)
7	VV022400	P. C. B. ASS'Y	TUNER	(RT)
7	VV022500	P. C. B. ASS'Y	TUNER	(AG)
* 8	VZ381200	P. C. B. ASS'Y	INPUT	(UC)
* 8	VZ381300	P. C. B. ASS'Y	INPUT	(RAGT)
△ 11	XT069A00	POWER TRANSFORMER		(U)
△ 11	XT070A00	POWER TRANSFORMER		(C)
△ 11	XT072A00	POWER TRANSFORMER		(A)
△ 11	XT073A00	POWER TRANSFORMER		(G)
△ 11	XT077A00	POWER TRANSFORMER		(RT)
△ 12	VL238100	POWER CORD ASS'Y		(R)
△ 12	VN363700	POWER CORD ASS'Y		(G)
△ 12	VQ508600	POWER CORD ASS'Y		(A)
△ 12	VV437200	POWER CORD ASS'Y		(UC)
△ 12	VZ542500	POWER CORD ASS'Y		(T)
15	VU590000	BINDING TIE	CBTD001B	
16	CB502030	BINDING TIE	S-75B	
18	VZ625600	BINDING TIE	SE140 L=140	

* New Parts

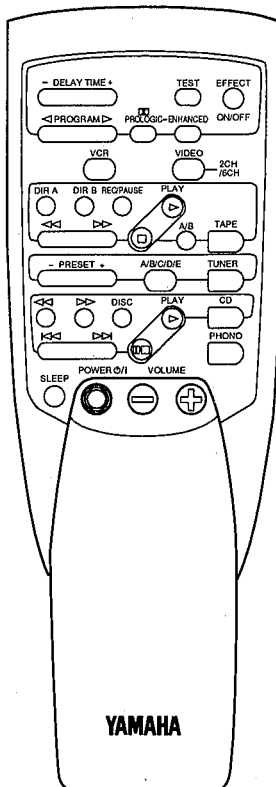
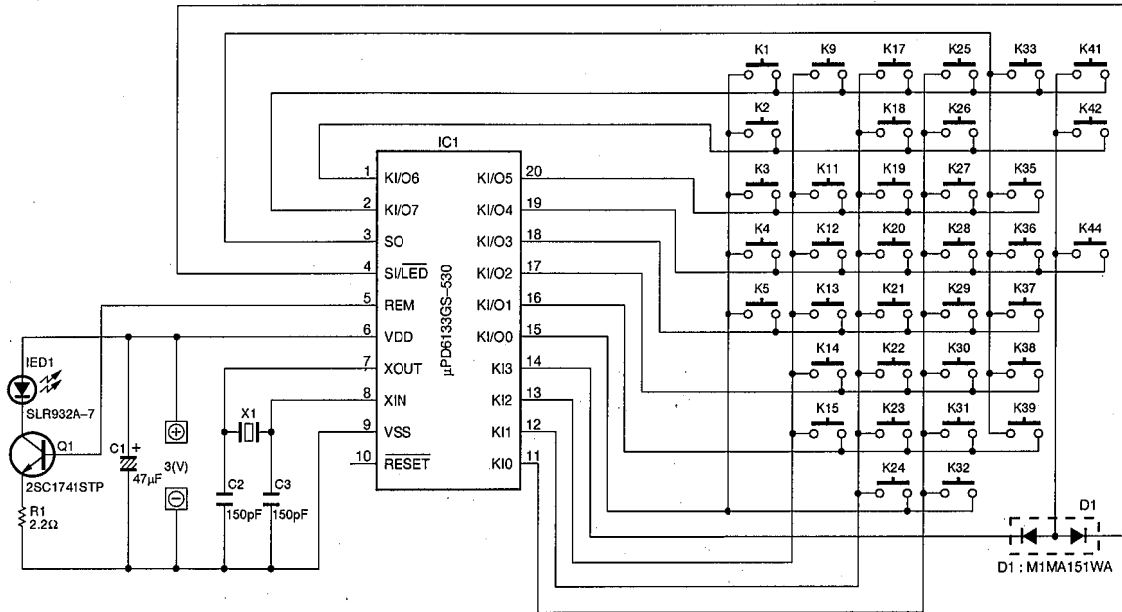
Ref. No.	PART NO.	Description	Remarks	Markets
101	VV140400	TOP COVER		
102	VQ794000	CHASSIS		
* 103	VZ305500	REAR PANEL	RX-V493	(U)
* 103	VZ305600	REAR PANEL	RX-V493	(C)
* 103	VZ305700	REAR PANEL	RX-V493	(RT)
* 103	VZ305800	REAR PANEL	RX-V493	(A)
* 103	VZ305900	REAR PANEL	RX-V493	(G)
* 103	VZ306300	REAR PANEL	R-V703	(U)
* 103	VZ306400	REAR PANEL	R-V703	(C)
* 103	VZ306500	REAR PANEL	R-V703	(RT)
* 103	VZ306600	REAR PANEL	R-V703	(A)
104	VS025000	LEG	D60xH21	
104	VV544300	LEG	D60xH21	R-V703 (UCA)
104	VV544600	LEG	D60xH21	R-V703 (RT)
106	VR264400	SPACER	H8	
108	VQ366100	DAMPER, PCB		
111	VV148800	KNOB	D40	
112	VV311000	KNOB	D14	
115	VV123500	BUTTON, 3/8		
117	VV139900	SHEET, WINDOW PANEL		
119	VN158600	CORD STOPPER	No. 2104	
121	VN413300	BIND HEAD BONDING B-T. SCREW	3x8 MFZN2-BL	
122	Ei330086	BIND HEAD B-TITE SCREW	3x8 FCRM3-BL	
123	Ei030046	BIND HEAD TAPPING SCREW	3x4 ZMC2-Y	
125	Ei030086	BIND HEAD B-TITE SCREW	3x8 ZMC2-Y	
126	ED330066	BIND HEAD SCREW	3x6 FCRM3-BL	
127	VS997700	BIND HEAD S-TITE SCREW	3x10 MFNI33	
128	VT669300	PW HEAD B-TITE SCREW	3x8-8 MFC2	
129	VT669400	PW HEAD B-TITE SCREW	3x15-8 MFC2	
130	VY731200	BONDING HEAD TAPPING SCREW	3x10 MFNI33	
131	EK365090	PW HEAD S-TITE SCREW	4x8-10 FCRM3-BL	
132	EK365090	PW HEAD S-TITE SCREW	4x8-10 FCRM3-BL	
133	VY731400	DAMPER	HOLE	
134	VY989400	DAMPER	SIDE	
* 135	VZ234000	SPACER		(UCAG)
136	VZ679700	DAMPER	T8/PCB	
* 140	VZ319700	STOPPER	SCREW	(RAGT)
141	VV124500	PLATE SIDE R	130	
142	VV124300	PLATE SIDE L	130	
165	VQ368600	PUSH RIVET	P3555-B	
		ACCESSORIES		
* 200	VZ338200	REMOTE CONTROL TRANSMITTER	SBGH20030A RAV9	(CRAGT)
* 200	VZ448100	REMOTE CONTROL TRANSMITTER	SC434238P	(U)
200-1	CX679050	LID		(CRAGT)
	VQ147100	ANTENNA, FM	1P 1.4m	
	VR248500	ANTENNA, AM LOOP	1P 1.0m	
	VT948000	ANTENNA ADAPTER		(UC)
		BATTERY, MANGANESE	UM-4E(2S)NEZ	(U)
		BATTERY, MANGANESE	SUM-3, AA, R06	(CRAGT)

* New Parts

RX-V393/R-V503/RX-V493/R-V703

RX-V393/R-V503 REMOTE CONTROL TRANSMITTER

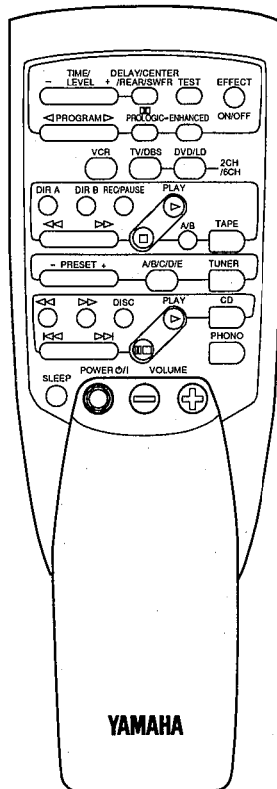
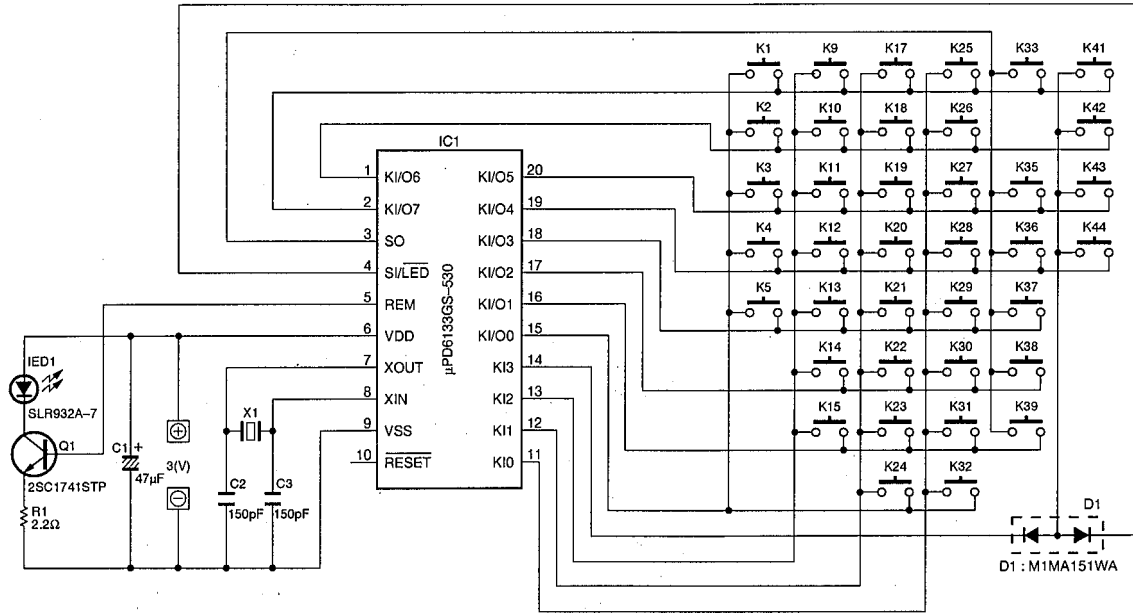
■ SCHEMATIC DIAGRAM



Key No.	FUNCTION	CUSTOM (HEX)	DATA (HEX)
1	EFFECT ON/OFF	7A	56
2	PROGRAM ←	7A	59
3	PROGRAM →	7A	58
4	□ PROLOGIC	7A	88
5	ENHANCED	7A	89
9	VCR	7A	0F
11	VIDEO	7A	17
12	DIR A	7A	07
13	DIR B	7A	40
14	REC/PAUSE	7A	04
15	PLAY (TAPE)	7A	00
17	←← (TAPE)	7A	01
18	→→ (TAPE)	7A	02
19	□ (TAPE)	7A	03
20	DECK A/B	7A	06
21	TAPE	7A	18
22	PRESET -	7A	11
23	PRESET +	7A	10
24	A/B/C/D/E	7A	12
25	TUNER	7A	16
26	←← (CD)	7A	0D
27	→→ (CD)	7A	0C
28	DISC	7A	4F
29	PLAY (CD)	7A	08
30	CD	7A	15
31	←← (CD)	7A	0B
32	→→ (CD)	7A	0A
33	□ (CD)	7A	09
35	PHONO	7A	14
36	SLEEP	7A	57
37	POWER	7A	1F
38	VOLUME -	7A	1B
39	VOLUME +	7A	1A
41	DELAY TIME -	7A	53
42	DELAY TIME +	7A	52
44	TEST	7A	85

RX-V493/R-V703(C, R, A, G, T models) REMOTE CONTROL TRANSMITTER

■ SCHEMATIC DIAGRAM



Key No.	FUNCTION	CUSTOM (HEX)	DATA (HEX)
1	EFFECT ON/OFF	7A	56
2	PROGRAM <	7A	59
3	PROGRAM >	7A	58
4	PROLOGIC	7A	88
5	ENHANCED	7A	89
9	VCR	7A	0F
10	TV/DBS	7A	54
11	DVD/LD	7A	17
12	DIR A	7A	07
13	DIR B	7A	40
14	REC/PAUSE	7A	04
15	PLAY (TAPE)	7A	00
17	<< (TAPE)	7A	01
18	>> (TAPE)	7A	02
19	□ (TAPE)	7A	03
20	DECK A/B	7A	06
21	TAPE	7A	18
22	PRESET -	7A	11
23	PRESET +	7A	10
24	A/B/C/D/E	7A	12
25	TUNER	7A	16
26	<< (CD)	7A	0D
27	>> (CD)	7A	0C
28	DISC	7A	4F
29	PLAY (CD)	7A	08
30	CD	7A	15
31	<<< (CD)	7A	0B
32	>>> (CD)	7A	0A
33	□ (CD)	7A	09
35	PHONO	7A	14
36	SLEEP	7A	57
37	POWER	7A	1F
38	VOLUME -	7A	1B
39	VOLUME +	7A	1A
41	TIME/LEVEL -	7A	53
42	TIME/LEVEL +	7A	52
43	DELAY/CENTER/REAR	7A	86
44	TEST	7A	85

Parts List for Carbon Resistors

Value	1/4W Type Part No.	1/6W Type Part No.	Value	1/4W Type Part No.	1/6W Type Part No.
1.0 Ω	HJ35 3100	HF85 3100	10 kΩ	HF45 7100	HF45 7100
1.8 Ω	HJ35 3180	*	11 kΩ	HF45 7110	HF45 7110
2.2 Ω	HJ35 3220	HF85 3220	12 kΩ	HJ35 7120	HF85 7120
3.3 Ω	HJ35 3330	HF85 3330	13 kΩ	HF45 7130	HF45 7130
4.7 Ω	HJ35 3470	HF85 3470	15 kΩ	HF45 7150	HF45 7150
5.6 Ω	HJ35 3560	HF85 3560	18 kΩ	HF45 7180	HF45 7180
10 Ω	HF45 4100	HF45 4100	22 kΩ	HF45 7220	HF45 7220
15 Ω	HJ35 4150	HF85 4150	24 kΩ	HF45 7240	HF45 7240
22 Ω	HF45 4220	HF45 4220	27 kΩ	HJ35 7270	HF85 7270
27 Ω	HJ35 4270	HF85 4270	30 kΩ	HF45 7300	HF45 7300
33 Ω	HF45 4330	HF45 4330	33 kΩ	HF45 7330	HF45 7330
39 Ω	HJ35 4470	HF85 4390	36 kΩ	HF45 7360	HF45 7360
47 Ω	HF45 4470	HF45 4470	39 kΩ	HF45 7390	HF45 7390
56 Ω	HF45 4560	HF45 4560	47 kΩ	HF45 7470	HF45 7470
68 Ω	HF45 4680	HF45 4680	51 kΩ	HF45 7510	HF45 7510
75 Ω	HF45 4750	HF45 4750	56 kΩ	HF45 7560	HF45 7560
82 Ω	HF45 4820	HF45 4820	62 kΩ	HF45 7620	HF45 7620
91 Ω	HF45 4910	HF45 4910	68 kΩ	HF45 7680	HF45 7680
100 Ω	HF45 5100	HF45 5100	82 kΩ	HF45 7820	HF45 7820
110 Ω	HJ35 5110	HF85 5110	91 kΩ	HF45 7910	HF45 7910
120 Ω	HF45 5120	HF45 5120	100 kΩ	HF45 8100	HF45 8100
150 Ω	HF45 5150	HF45 5150	110 kΩ	HF45 8110	HF45 8110
160 Ω	HJ35 5160	*	120 kΩ	HF45 8120	HF45 8120
180 Ω	HF45 5180	HF45 5180	150 kΩ	HF45 8150	HF45 8150
200 Ω	HF45 5200	HF45 5200	180 kΩ	HF45 8180	HF45 8180
220 Ω	HF45 5220	HF45 5220	220 kΩ	HJ35 8220	HF85 8220
270 Ω	HF45 5270	HF45 5270	270 kΩ	HF45 8270	HF45 8270
330 Ω	HF45 5330	HF45 5330	300 kΩ	HF45 8300	HF45 8300
390 Ω	HF45 5390	HF45 5390	330 kΩ	HF45 8330	HF45 8330
430 Ω	HF45 5430	HF45 5430	390 kΩ	HJ35 8390	HF85 8390
470 Ω	HF45 5470	HF45 5470	470 kΩ	HF45 8470	HF45 8470
510 Ω	HF45 5510	HF45 5510	560 kΩ	HJ35 8560	HF85 8560
560 Ω	HF45 5560	HF45 5560	680 kΩ	HJ35 8680	HF85 8680
680 Ω	HF45 5680	HF45 5680	820 kΩ	HJ35 8820	HF85 8820
820 Ω	HF45 5820	HF45 5820	1.0 MΩ	HF45 9100	HF45 9100
910 Ω	HF45 5910	HF45 5910	1.2 MΩ	HJ35 9120	*
1.0 kΩ	HF45 6100	HF45 6100	1.5 MΩ	HJ35 9150	HF85 9150
1.2 kΩ	HF45 6120	HF45 6120	1.8 MΩ	HJ35 9180	HF85 9180
1.5 kΩ	HF45 6150	HF45 6150	2.2 MΩ	HJ35 9220	HF85 9220
1.8 kΩ	HF45 6180	HF45 6180	3.3 MΩ	HJ35 9330	HF85 9330
2.0 kΩ	HJ35 6200	HF85 6200	3.9 MΩ	HJ35 9390	*
2.2 kΩ	HF45 6220	HF45 6220	4.7 MΩ	HJ35 9470	HF85 9470
2.4 kΩ	HJ35 6240	HF85 6240			
2.7 kΩ	HF45 6270	HF45 6270			
3.0 kΩ	HF45 6300	HF45 6300			
3.3 kΩ	HF45 6330	HF45 6330			
3.6 kΩ	HJ35 6360	HF85 6360			
3.9 kΩ	HF45 6390	HF45 6390			
4.7 kΩ	HF45 6470	HF45 6470			
5.1 kΩ	HF45 6510	HF45 6510			
5.6 kΩ	HF45 6560	HF45 6560			
6.8 kΩ	HF45 6680	HF45 6680			
8.2 kΩ	HF45 6820	HF45 6820			
9.1 kΩ	HF45 6910	HF45 6910			

